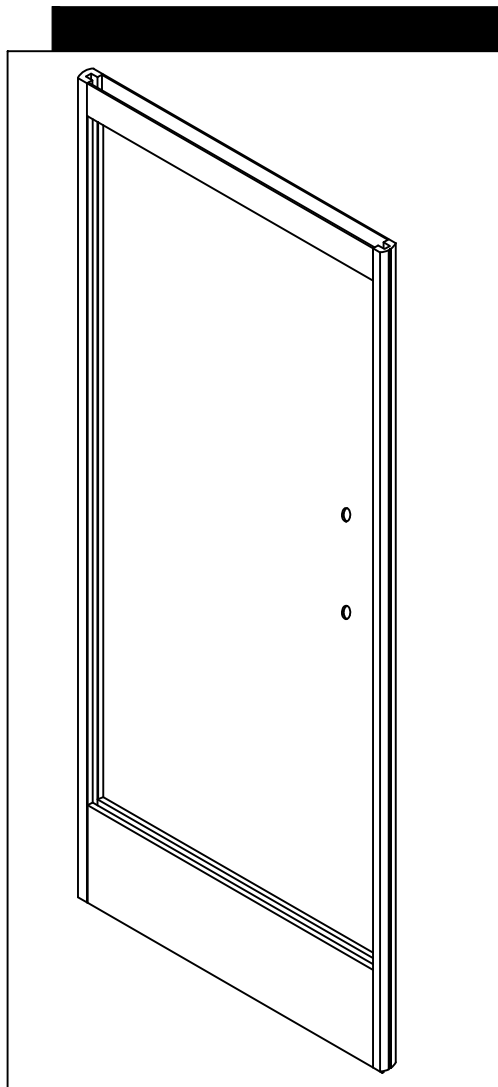


WS-450 I-LINE STILE

PRL GLASS SYSTEMS INC.



* FINISHES AVAILABLE :
 # 8 POLISHED & # 4 SATIN
 STAINLESS
 US3 POLISHED & US4 SATIN
 BRASS (NON LACQUER
 COATED)
 US10B
 ANODIZED PAINTED



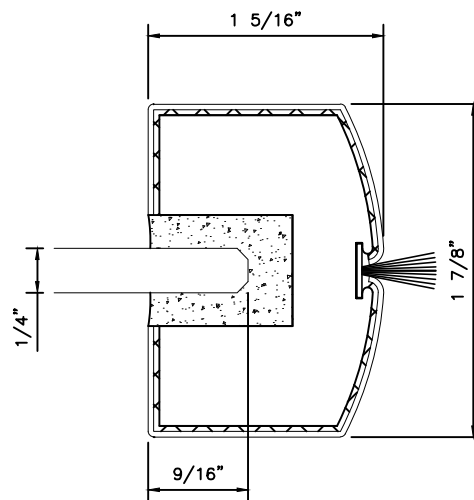
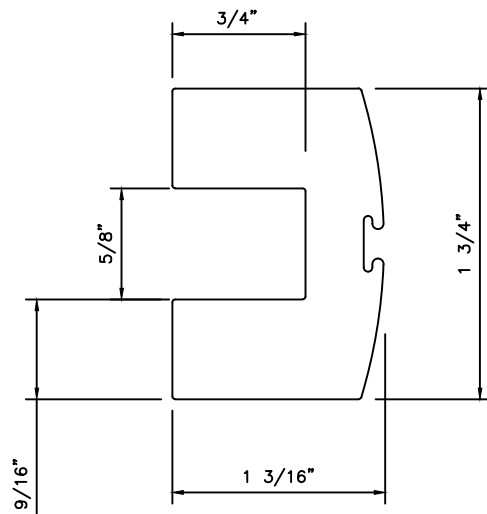
WS-450 DEDUCTS:

NON CLAD= 1-1/4 With mohair

NON CLAD= 1-5/16 Vinyl insert

CLAD = 1-5/16 With mohair

CLAD = 1-3/8 Vinyl insert

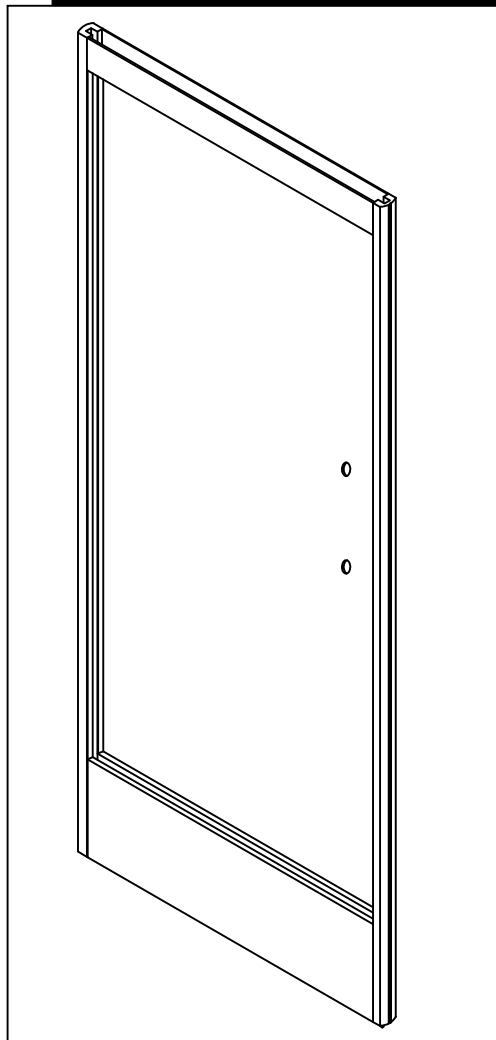


WS-450 I-LINE STILE

PRL GLASS SYSTEMS INC.



* FINISHES AVAILABLE :
 # 8 POLISHED & # 4 SATIN
 STAINLESS
 US3 POLISHED & US4 SATIN
 BRASS (NON LACQUER
 COATED)
 US10B
 ANODIZED PAINTED



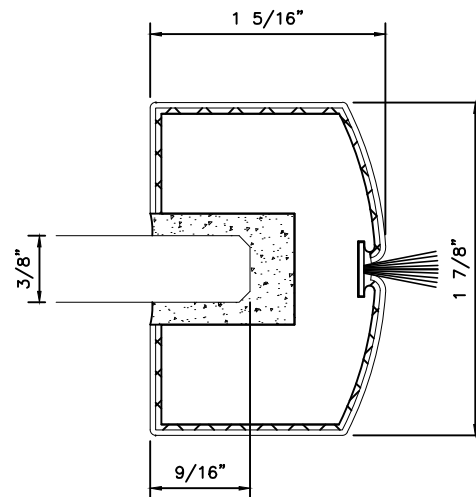
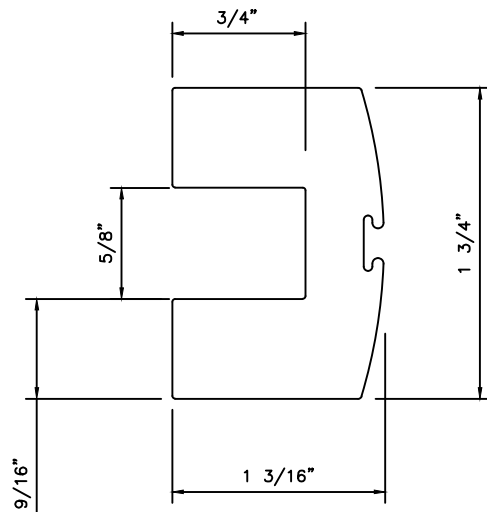
WS-450 DEDUCTS:

NON CLAD= 1-1/4 With mohair

NON CLAD= 1-5/16 Vinyl insert

CLAD = 1-5/16 With mohair

CLAD = 1-3/8 Vinyl insert

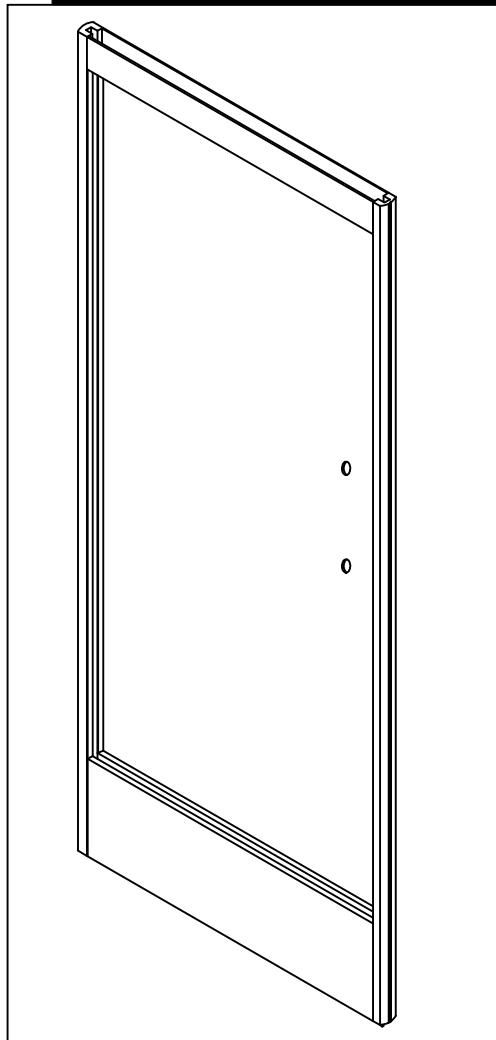


WS-450 I-LINE STILE

PRL GLASS
SYSTEMS
INC.



* FINISHES AVAILABLE :
8 POLISHED & # 4 SATIN
STAINLESS
US3 POLISHED & US4 SATIN
BRASS (NON LACQUER
COATED)
US10B
ANODIZED PAINTED



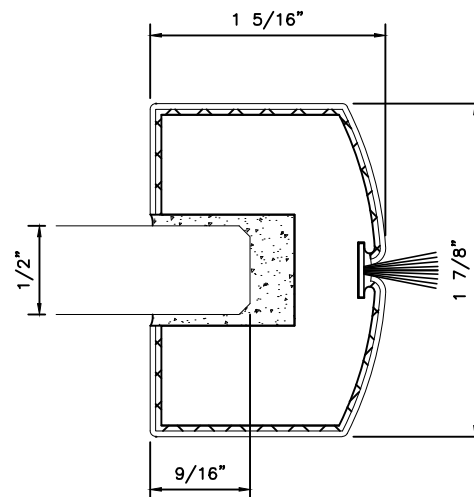
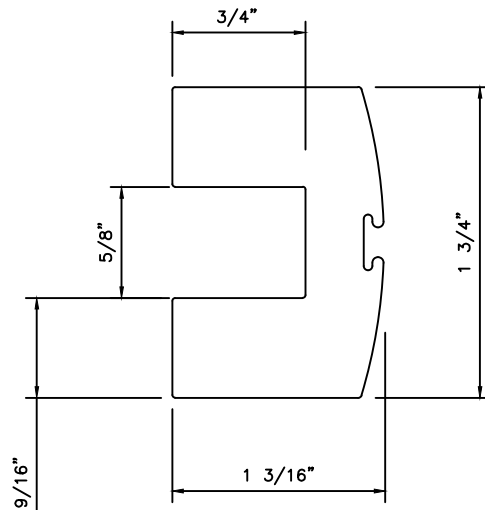
WS-450 DEDUCTS:

NON CLAD= 1-1/4 With mohair

NON CLAD= 1-5/16 Vinyl insert

CLAD = 1-5/16 With mohair

CLAD = 1-3/8 Vinyl insert

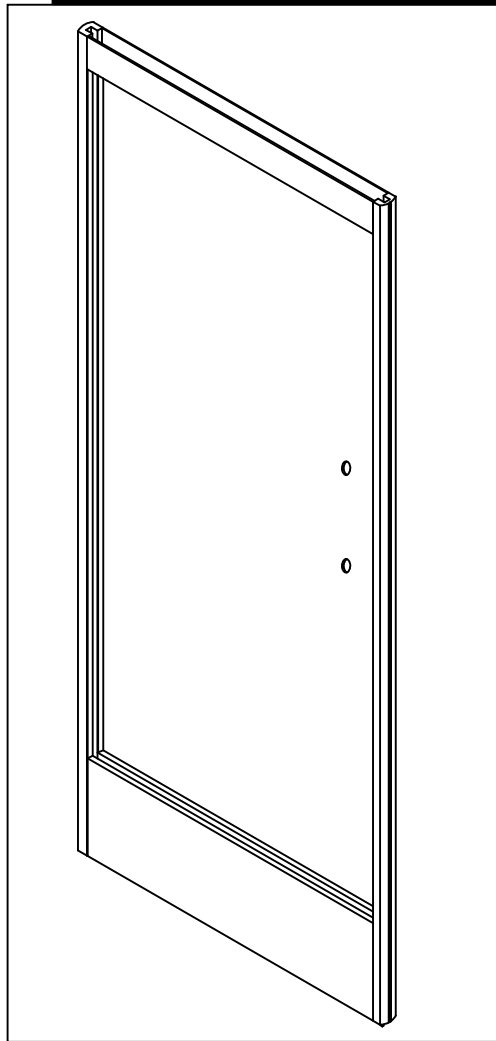


WS-450 I-LINE STILE

PRL GLASS SYSTEMS INC.



* FINISHES AVAILABLE :
 # 8 POLISHED & # 4 SATIN
 STAINLESS
 US3 POLISHED & US4 SATIN
 BRASS (NON LACQUER
 COATED)
 US10B
 ANODIZED PAINTED



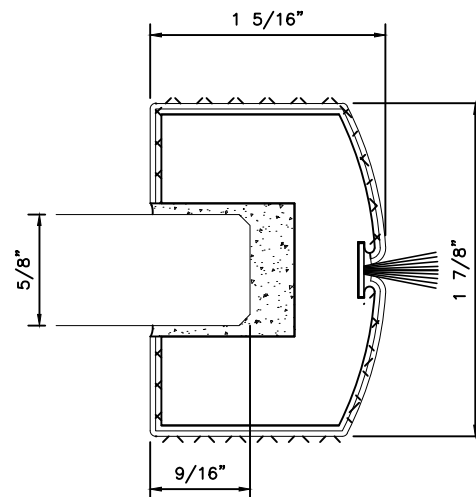
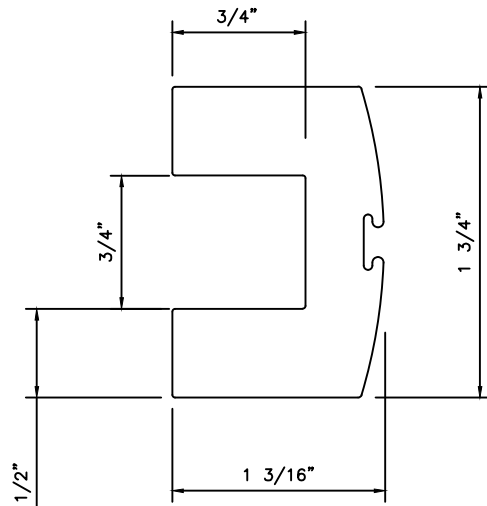
WS-450 DEDUCTS:

NON CLAD= 1-1/4 With mohair

NON CLAD= 1-5/16 Vinyl insert

CLAD = 1-5/16 With mohair

CLAD = 1-3/8 Vinyl insert

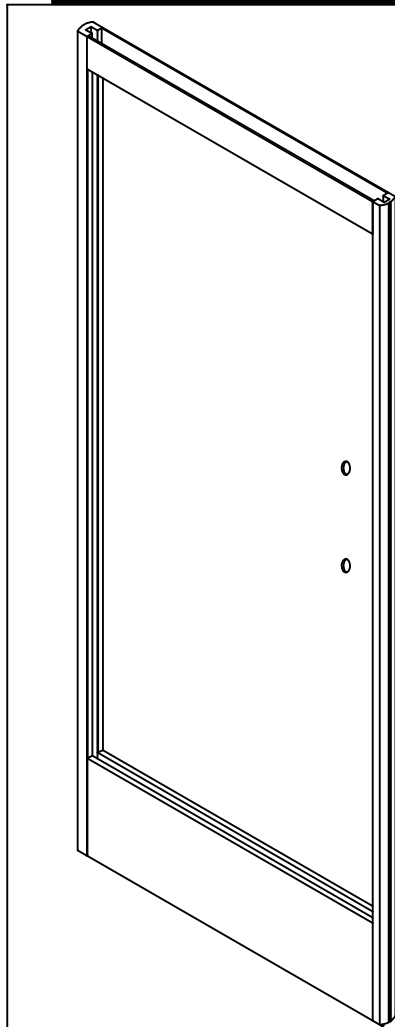


WS-450 I-LINE STILE

PRL GLASS SYSTEMS INC.



* FINISHES AVAILABLE :
8 POLISHED & # 4 SATIN
STAINLESS
US3 POLISHED & US4 SATIN
BRASS (NON LACQUER
COATED)
US10B
ANODIZED PAINTED



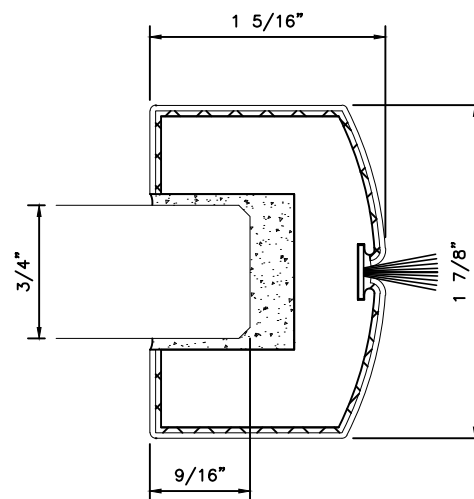
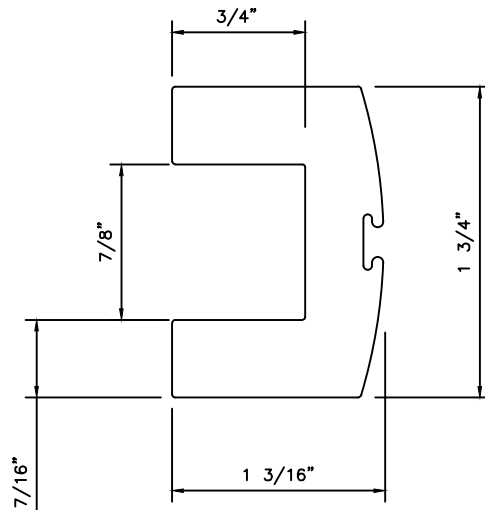
WS-450 DEDUCTS:

NON CLAD= 1-1/4 With mohair

NON CLAD= 1-5/16 Vinyl insert

CLAD = 1-5/16 With mohair

CLAD = 1-3/8 Vinyl insert

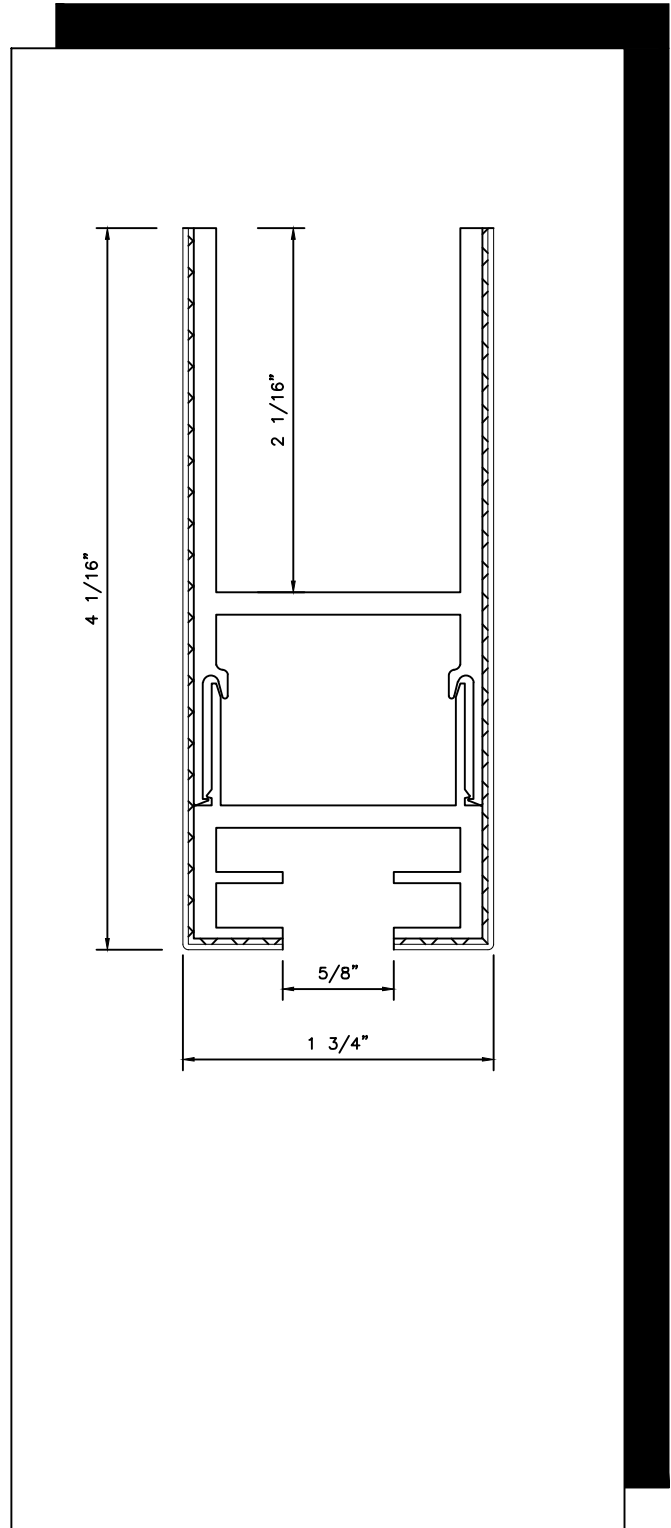
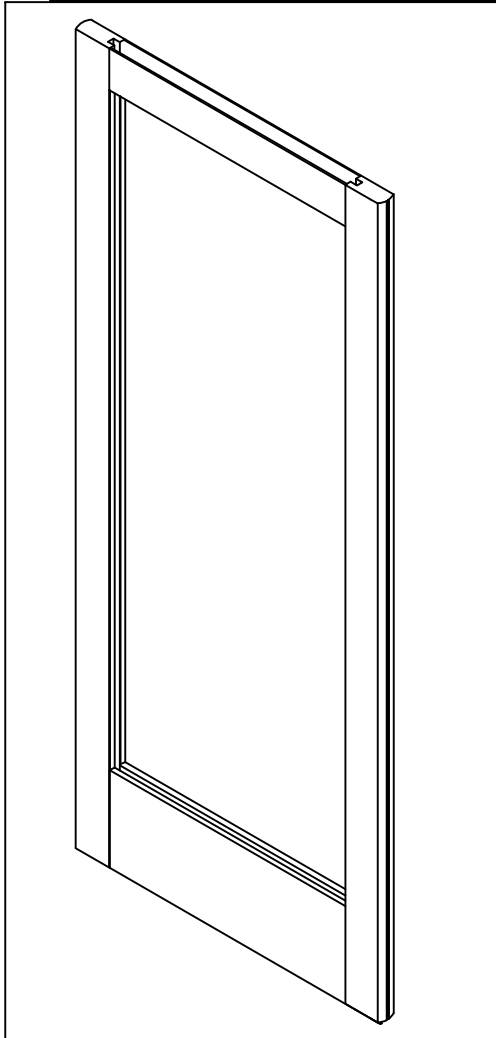


4" RAIL FOR FULL FRAME DOORS

PRL GLASS
SYSTEMS
INC.



4" FULL FRAME TOP RAIL

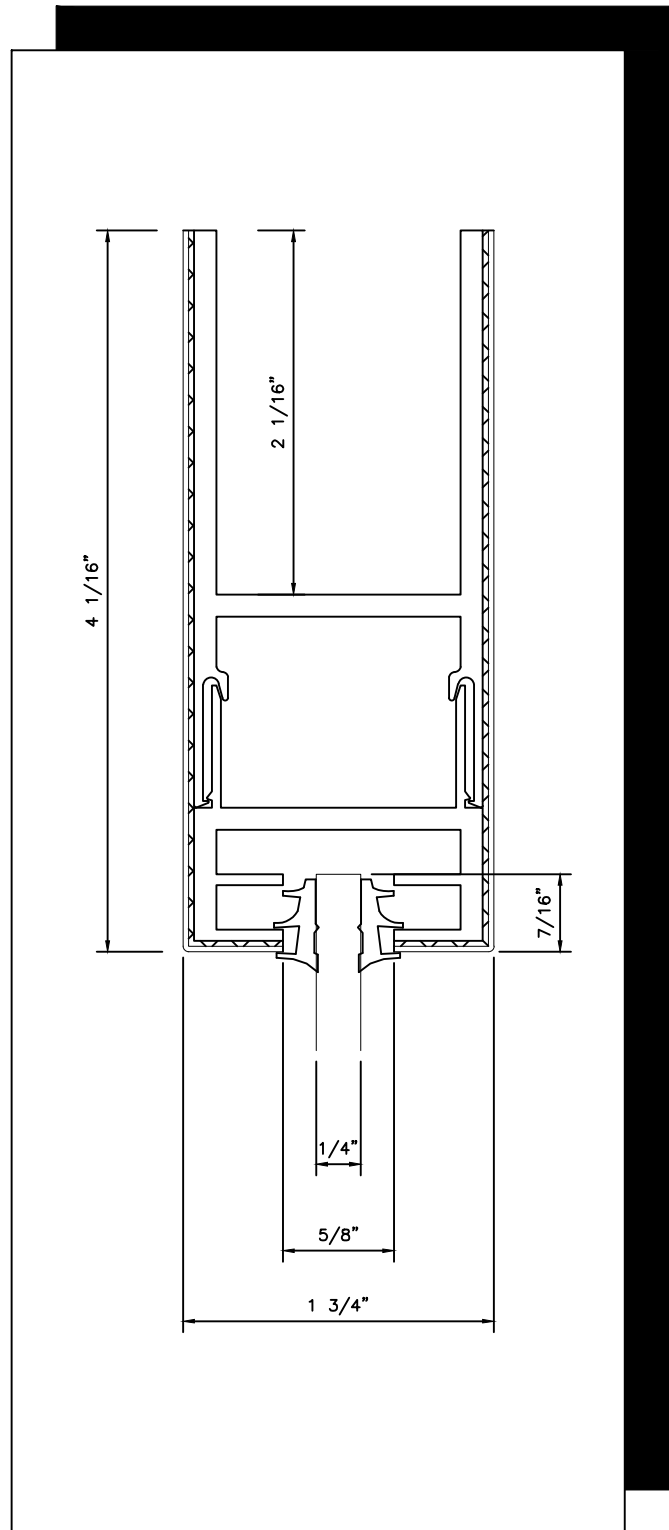
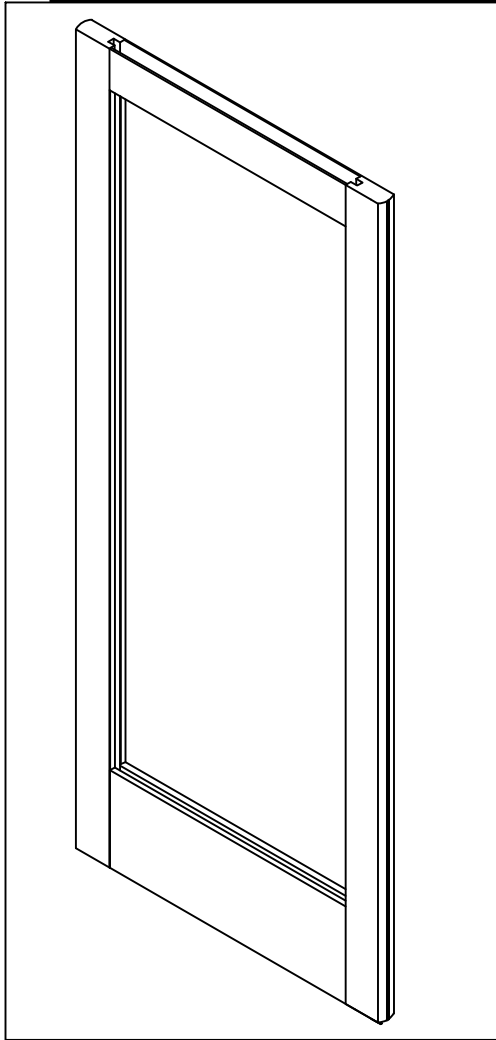


4" RAIL FOR FULL FRAME DOORS

PRL GLASS
SYSTEMS
INC.



4" FULL FRAME TOP RAIL

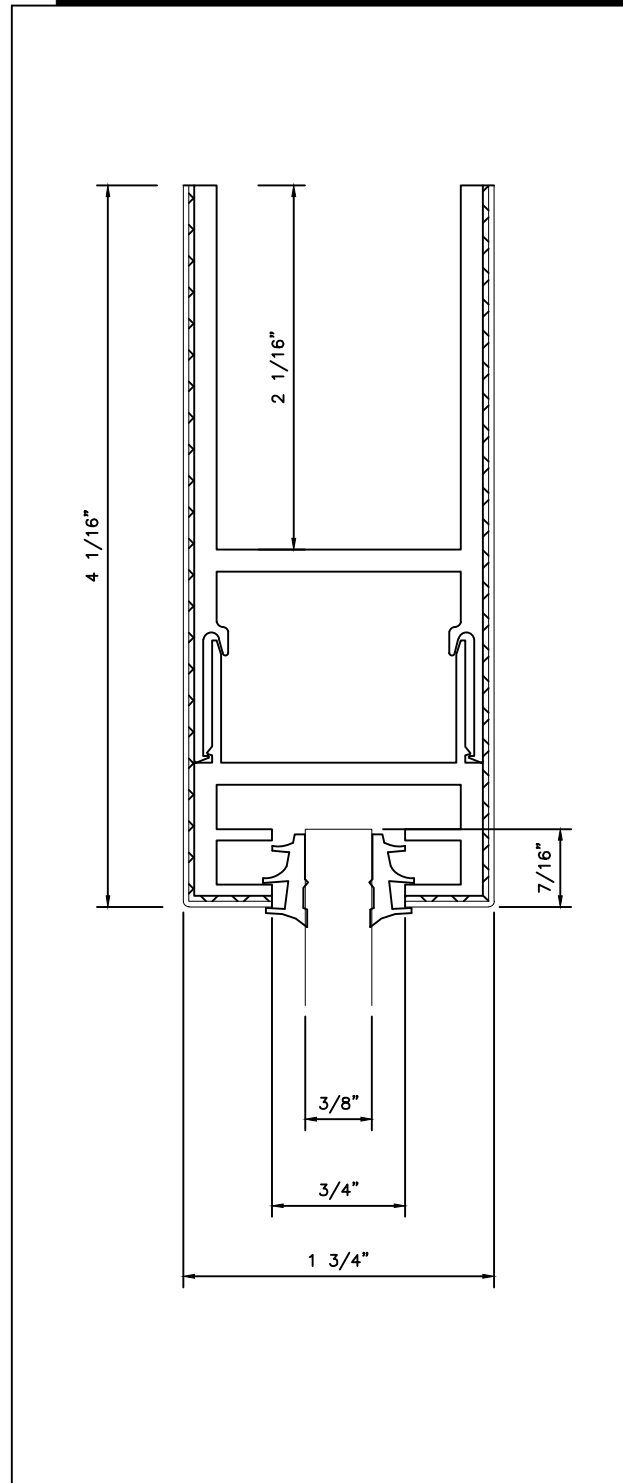
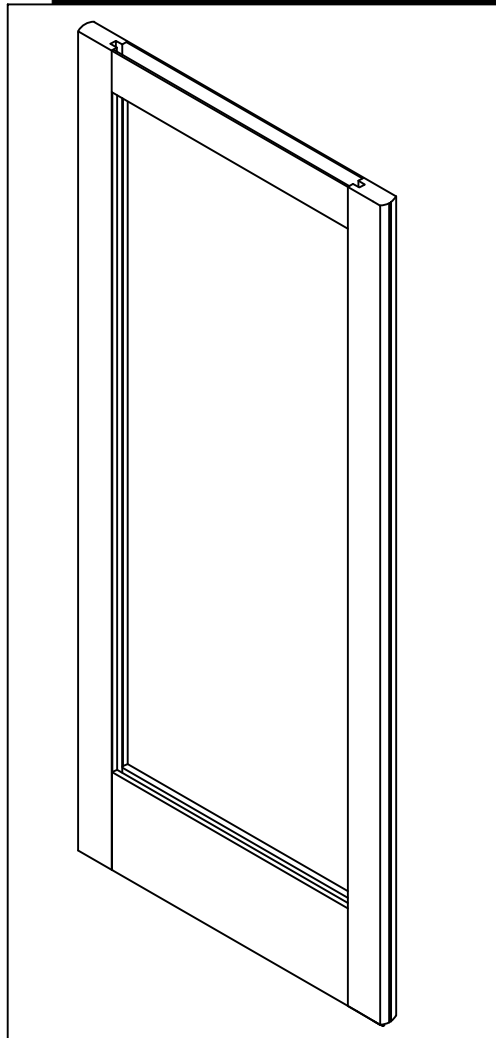


4" RAIL FOR FULL FRAME DOORS

PRL GLASS
SYSTEMS
INC.



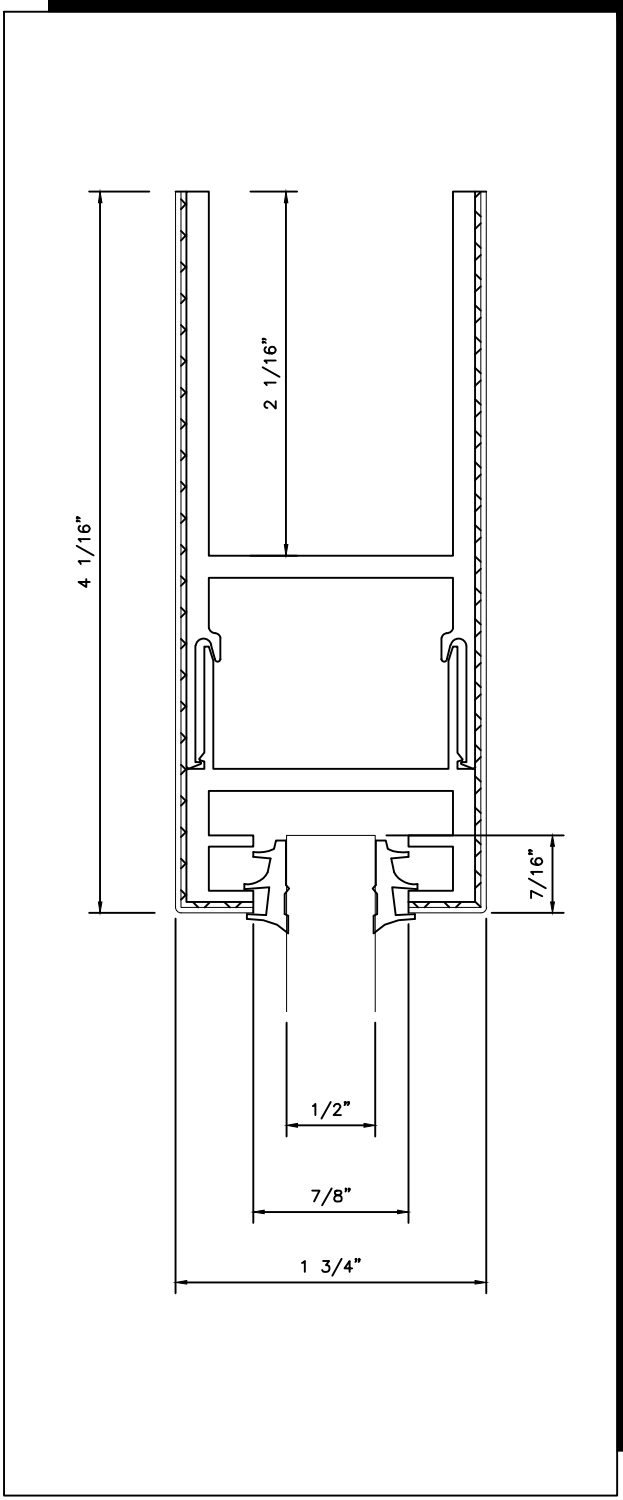
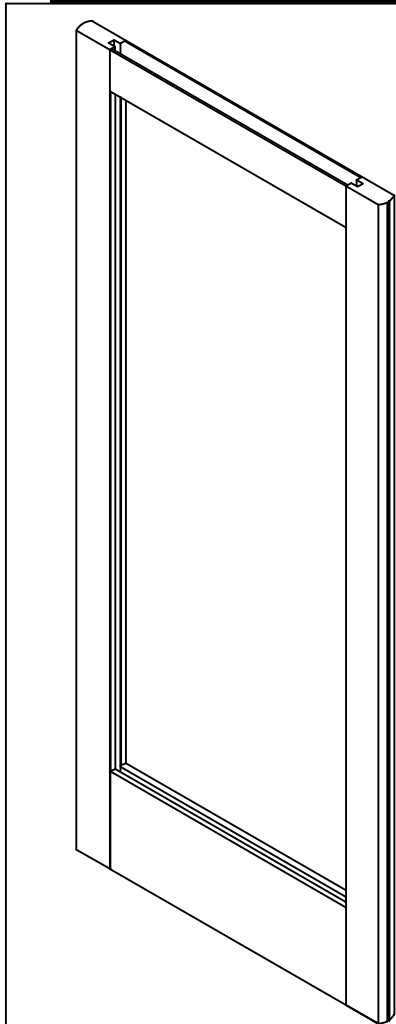
4" FULL FRAME TOP RAIL



4" RAIL FOR FULL FRAME DOORS



4" FULL FRAME TOP RAIL

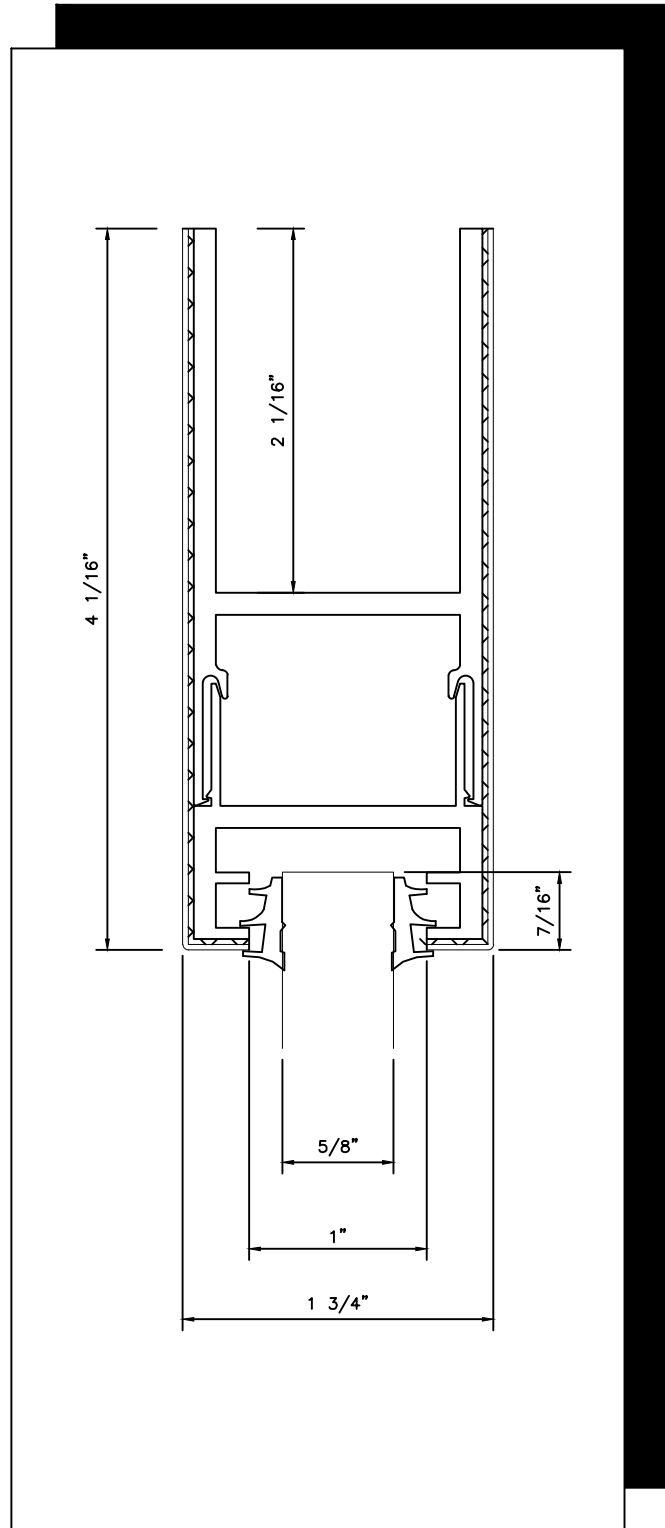
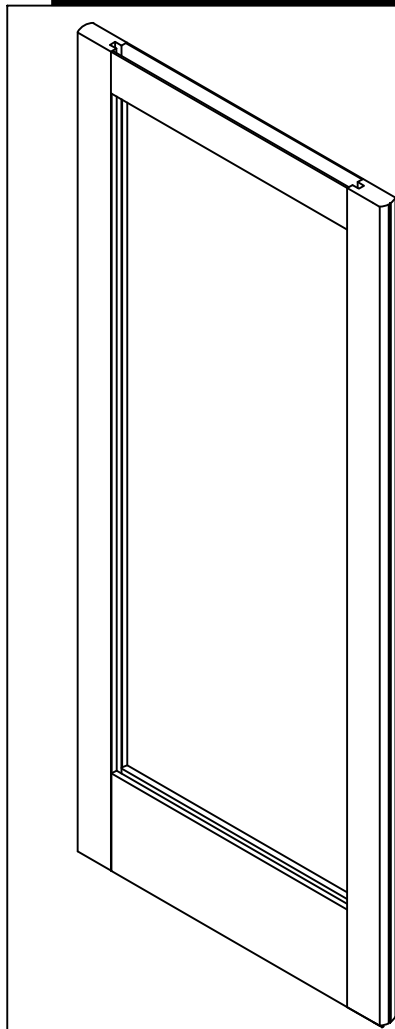


4" RAIL FOR FULL FRAME DOORS

PRL GLASS
SYSTEMS
INC.



4" FULL FRAME TOP RAIL

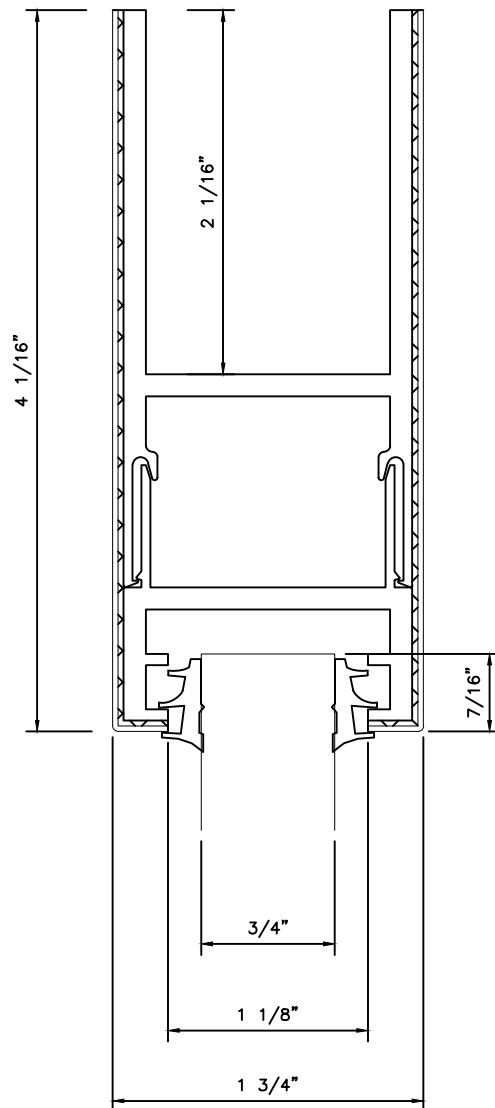
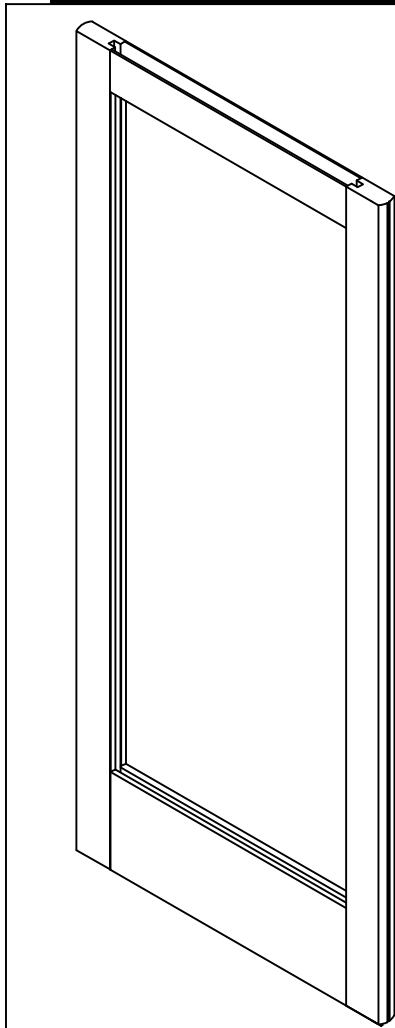


4" RAIL FOR FULL FRAME DOORS

PRL GLASS
SYSTEMS
INC.



4" FULL FRAME TOP RAIL

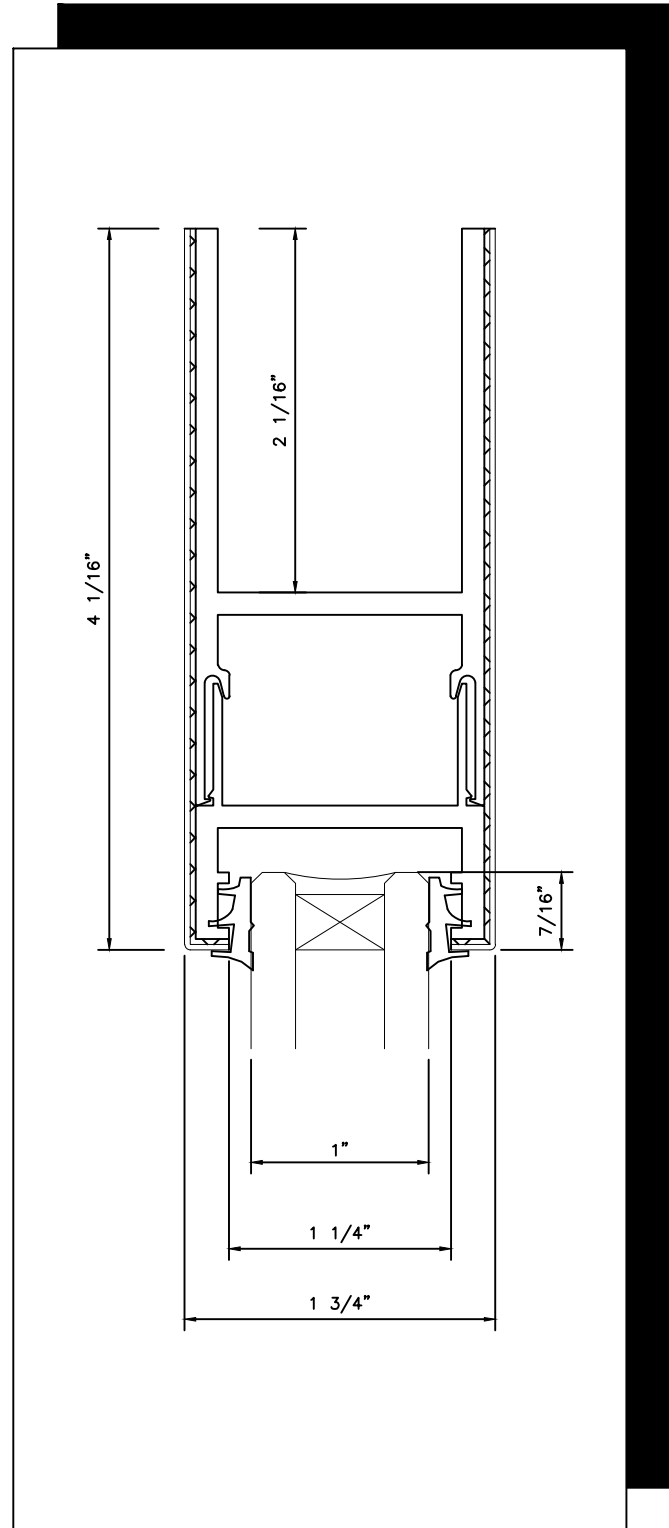
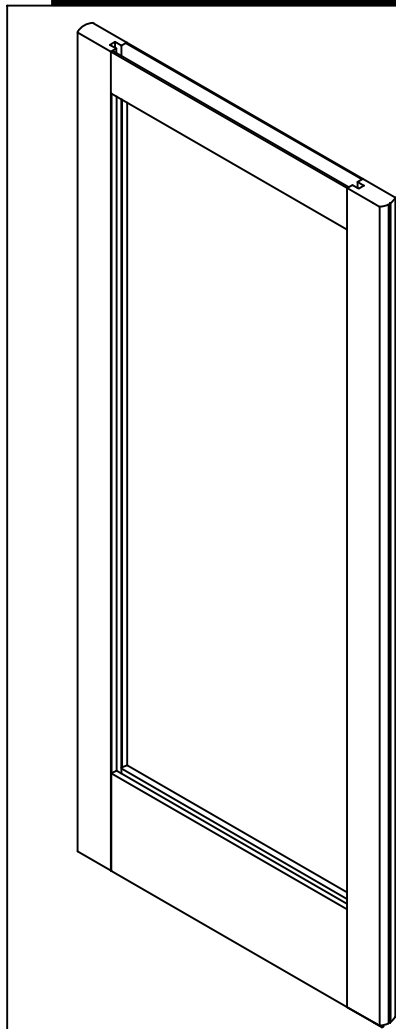


4" RAIL FOR FULL FRAME DOORS

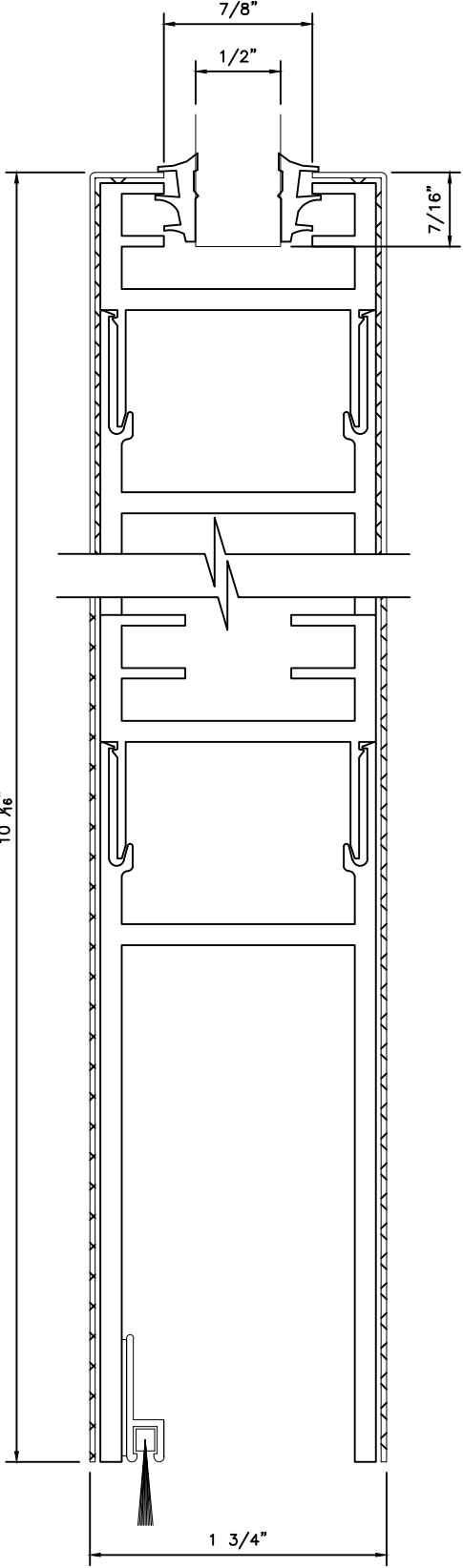
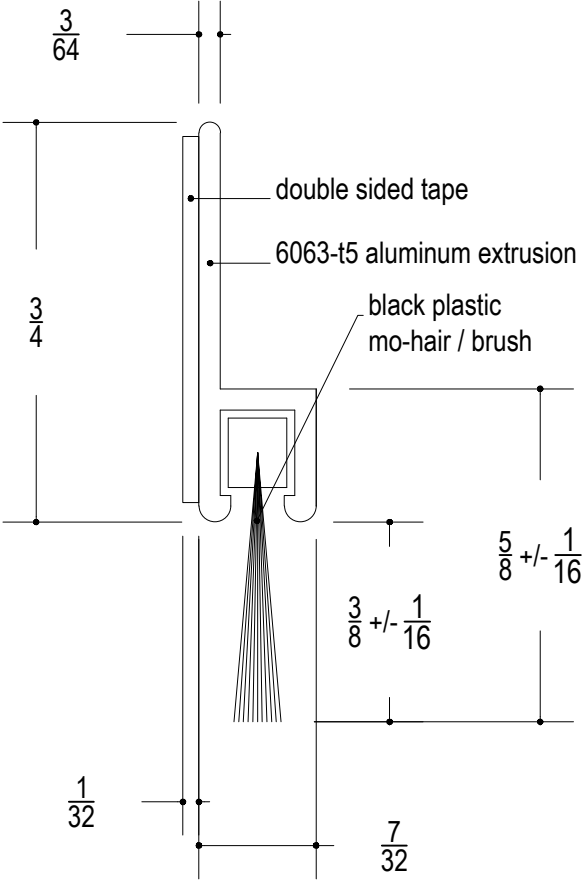
PRL GLASS
SYSTEMS
INC.



4" FULL FRAME TOP RAIL



WEATHER STRIP

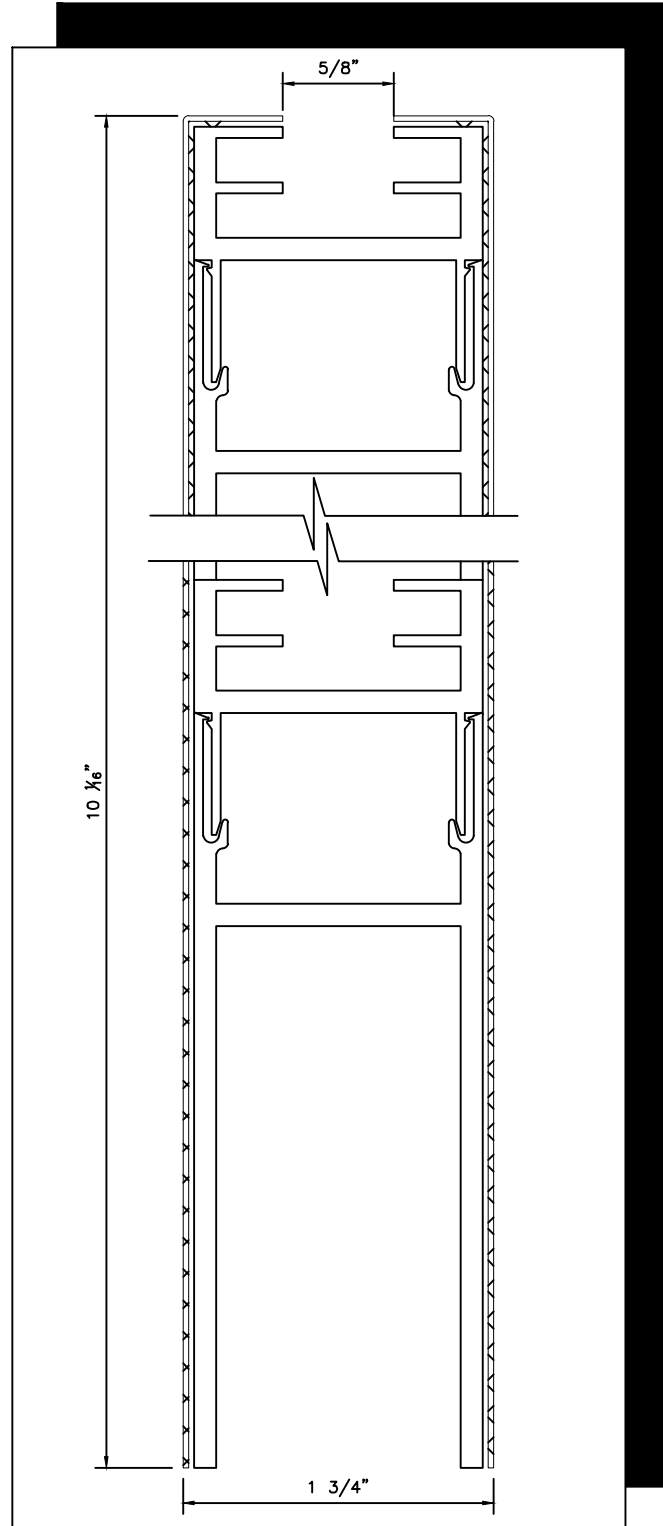
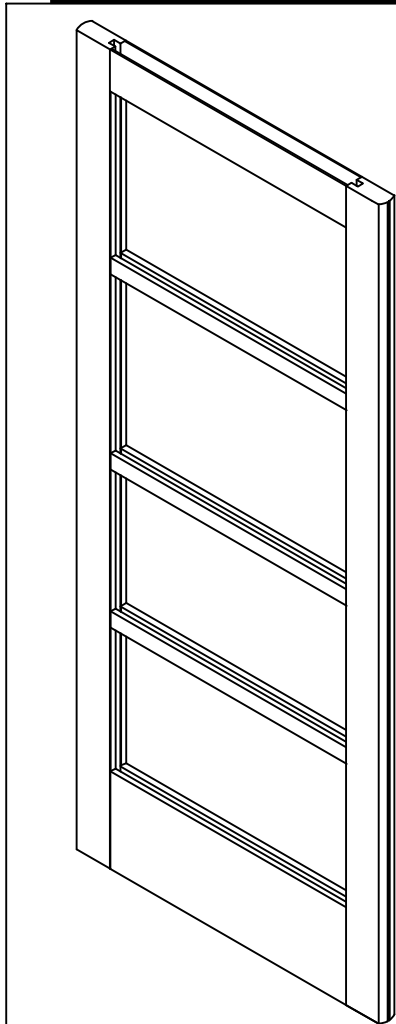


10" RAIL FOR FULL
FRAME DOORS

PRL GLASS
SYSTEMS
INC.



10" FULL FRAME
TOP RAIL

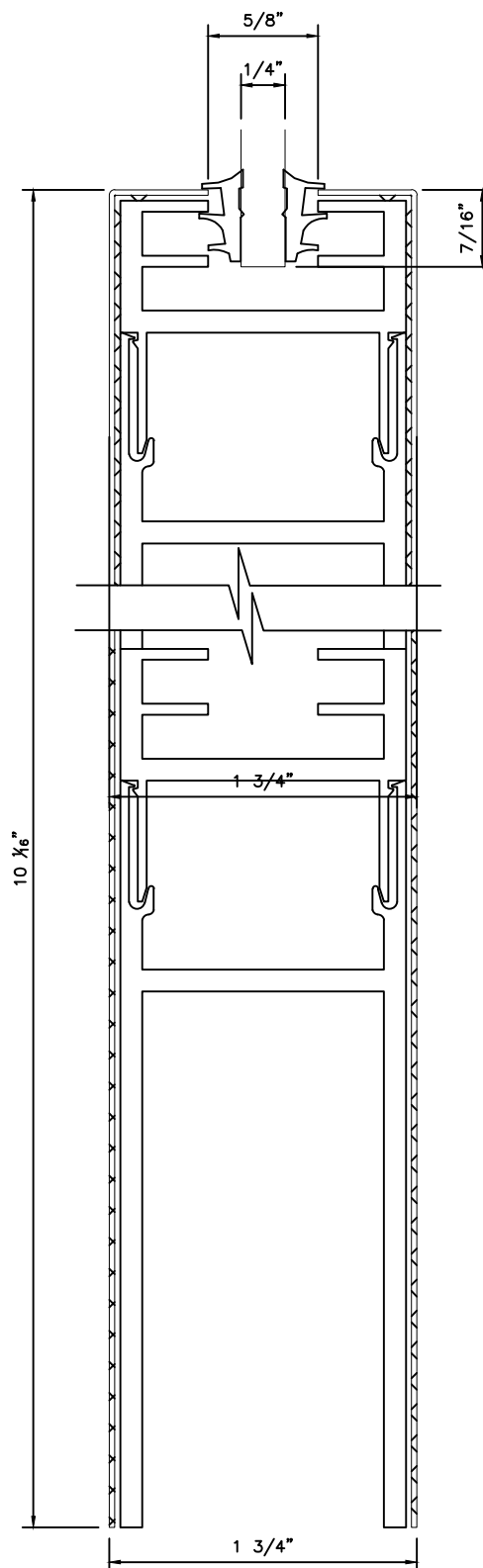
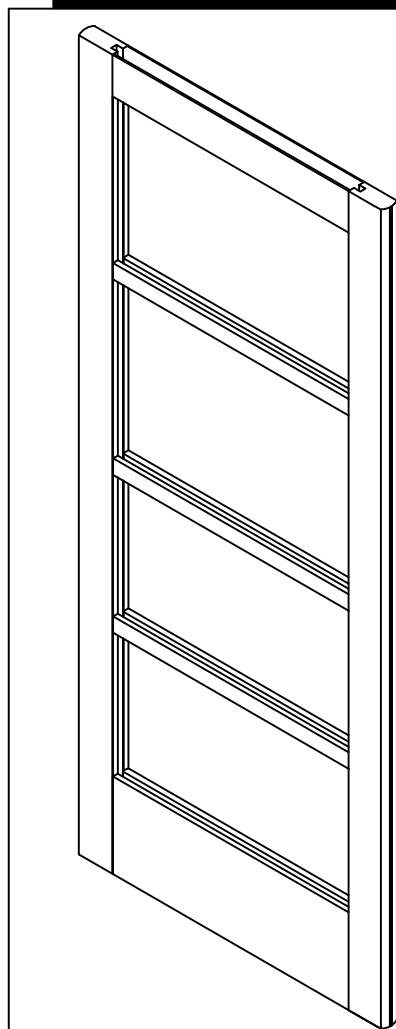


10" RAIL FOR FULL FRAME DOORS

PRL GLASS
SYSTEMS
INC.



10" FULL FRAME TOP RAIL

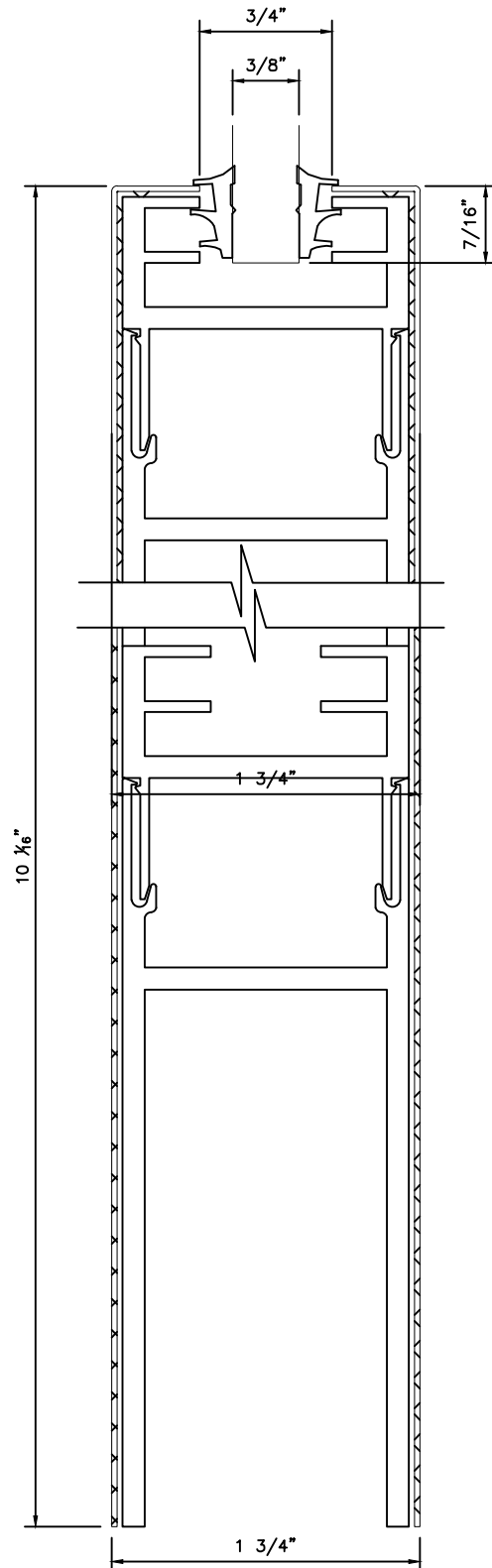
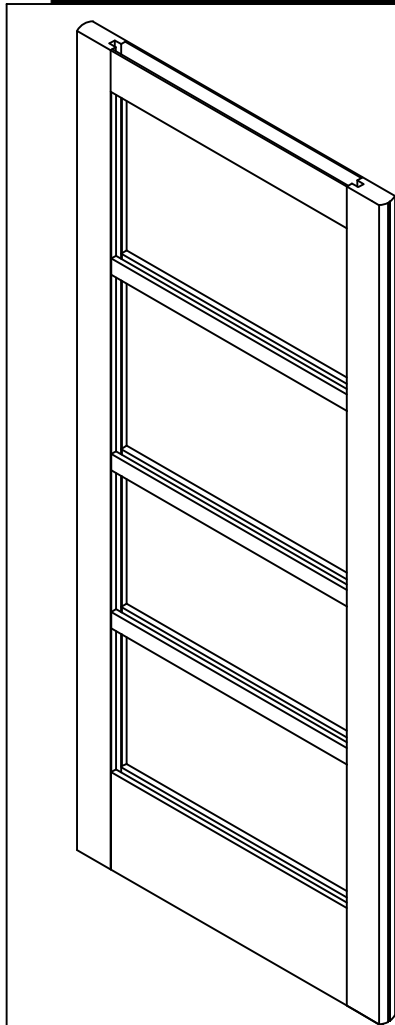


10" RAIL FOR FULL FRAME DOORS

PRL GLASS
SYSTEMS
INC.



10" FULL FRAME
TOP RAIL

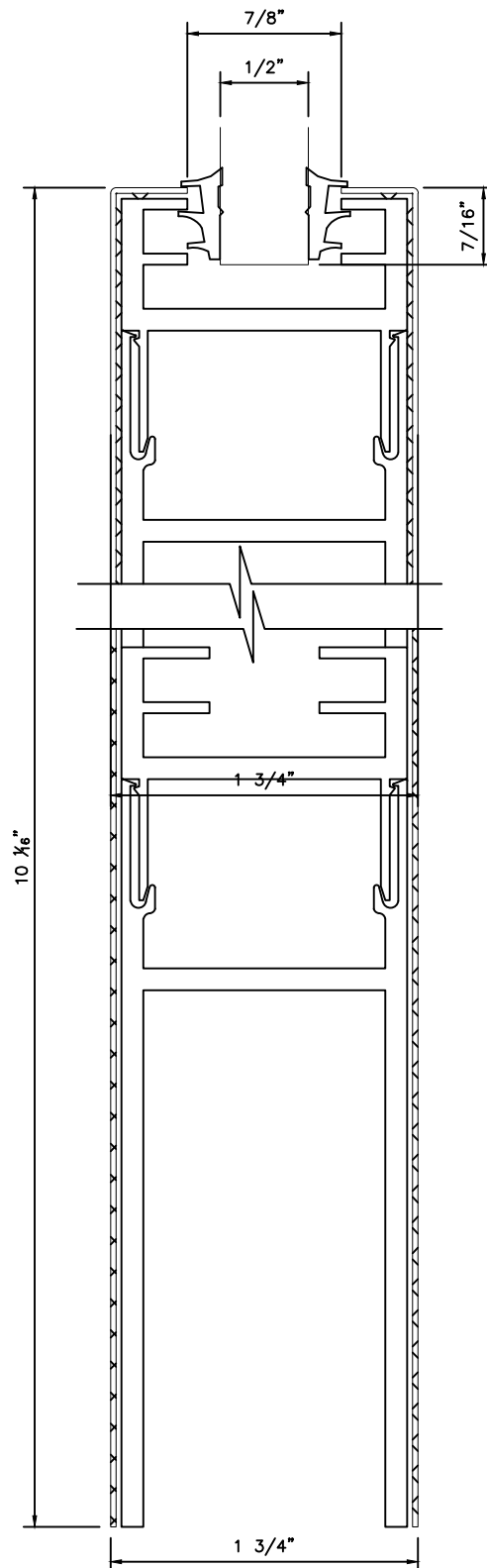
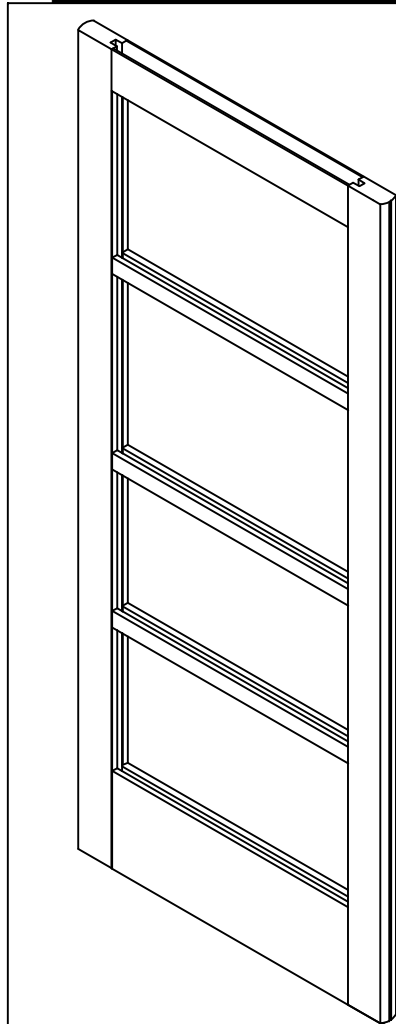


10" RAIL FOR FULL FRAME DOORS

PRL GLASS
SYSTEMS
INC.



10" FULL FRAME
TOP RAIL

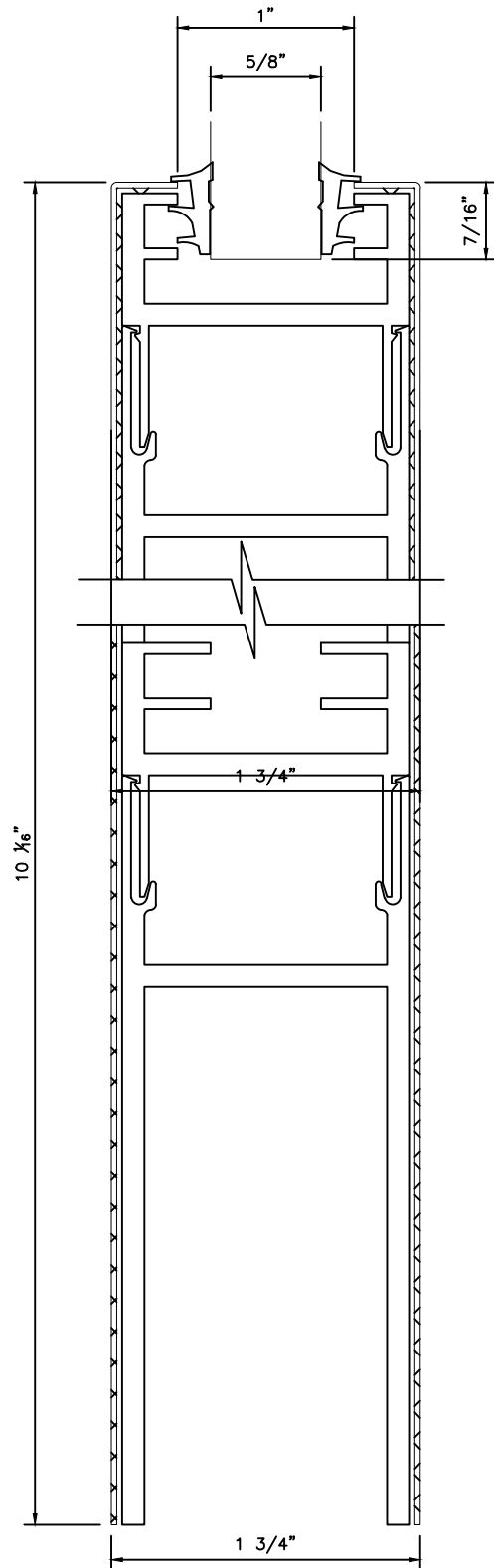
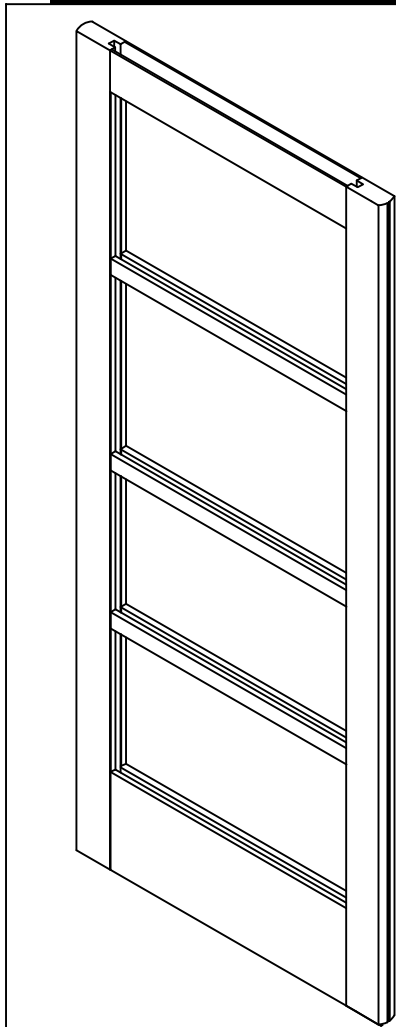


10" RAIL FOR FULL FRAME DOORS

PRL GLASS
SYSTEMS
INC.



10" FULL FRAME
TOP RAIL

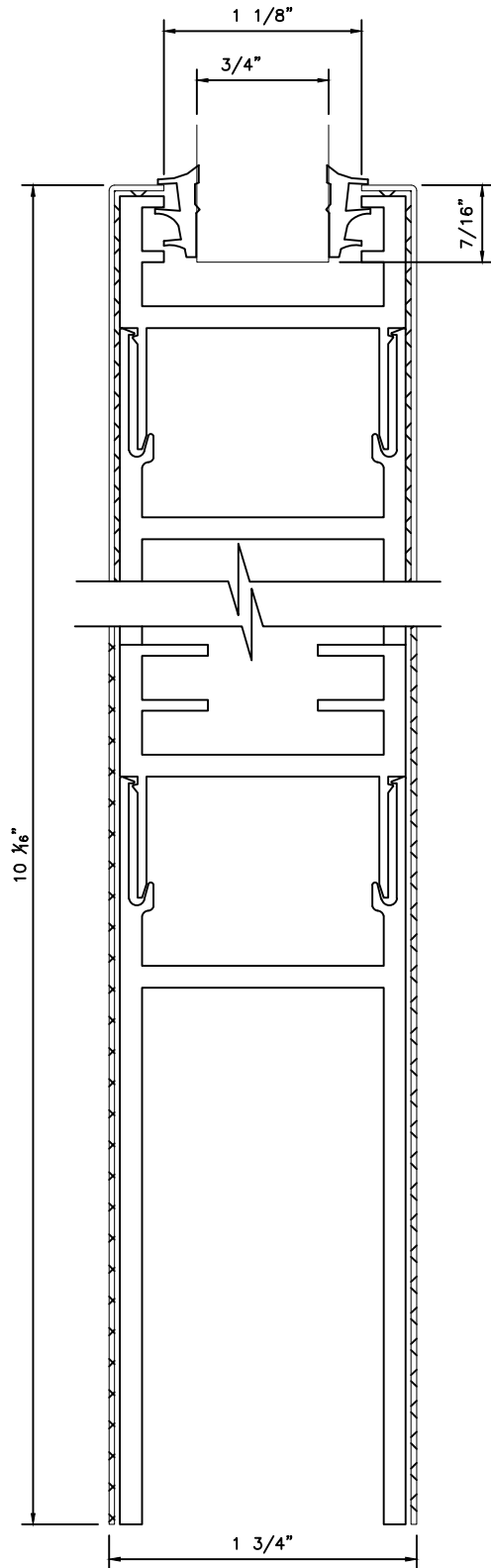
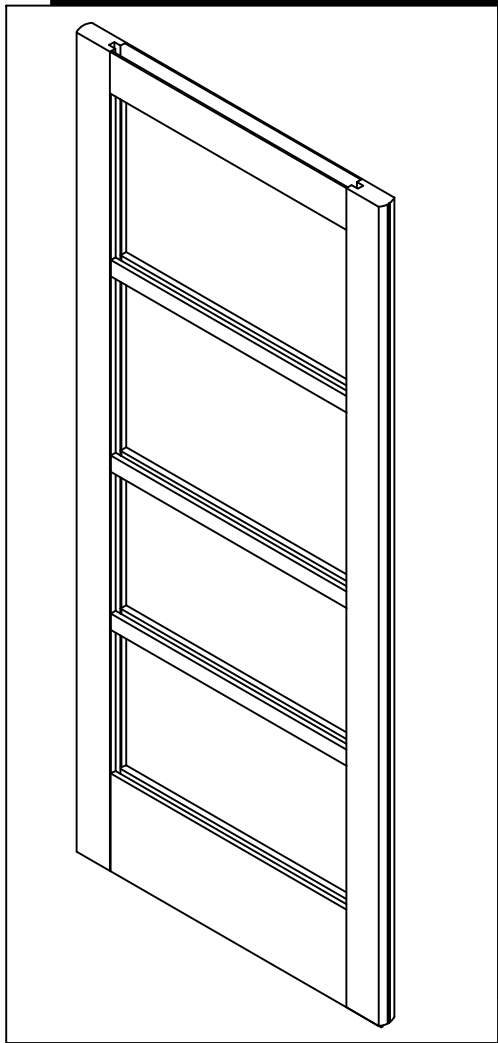


10" RAIL FOR FULL
FRAME DOORS

PRL GLASS
SYSTEMS
INC.



10" FULL FRAME
TOP RAIL

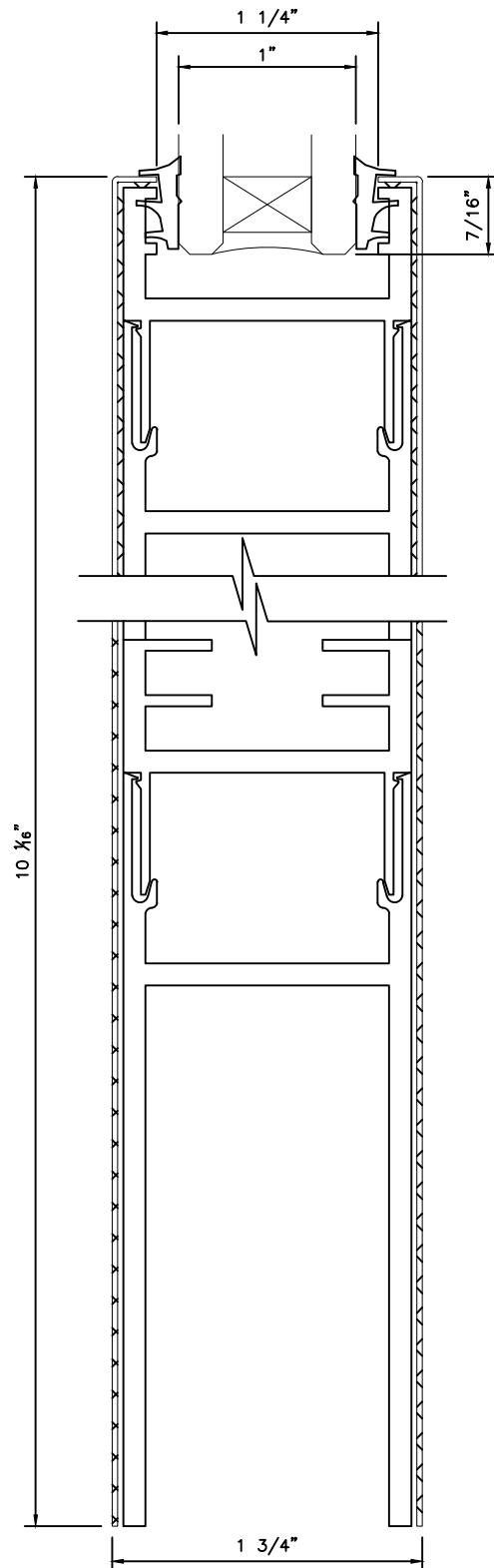
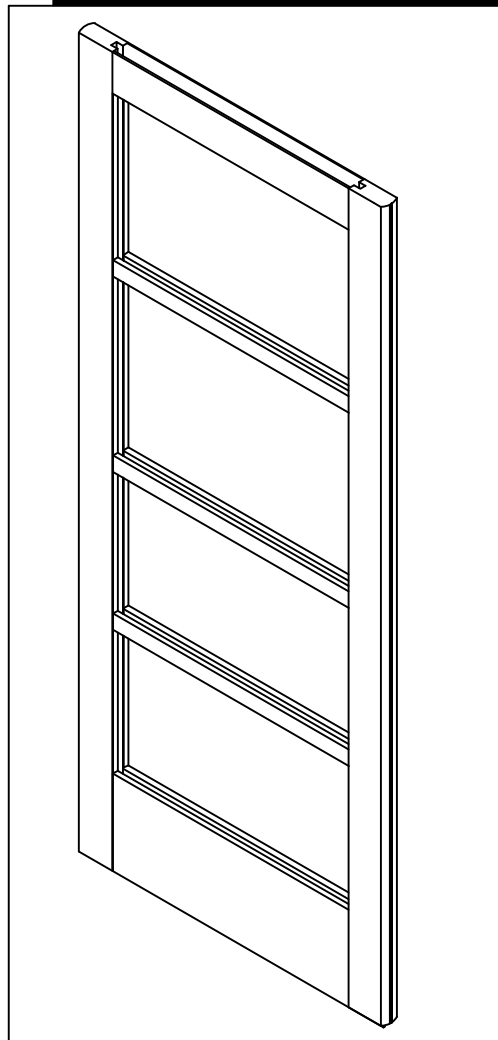


10" RAIL FOR FULL FRAME DOORS

PRL GLASS
SYSTEMS
INC.

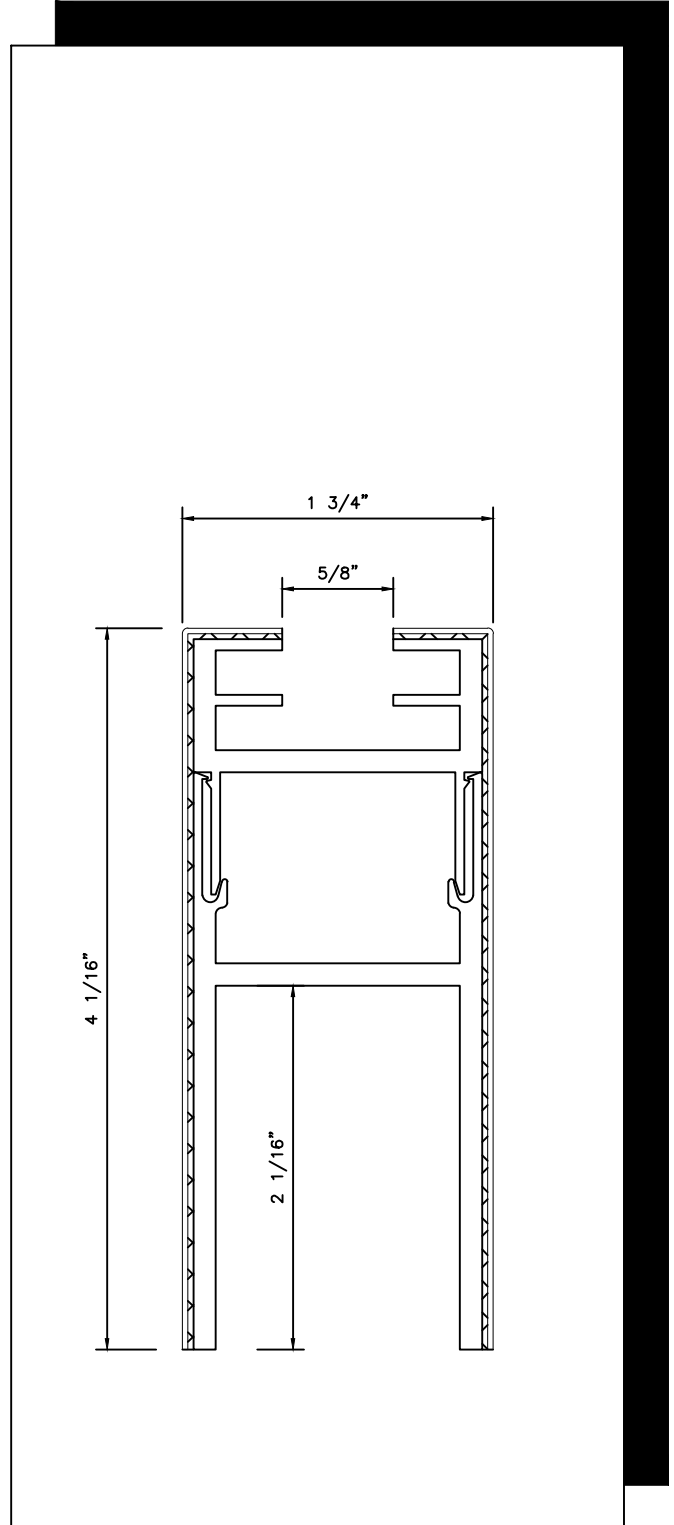
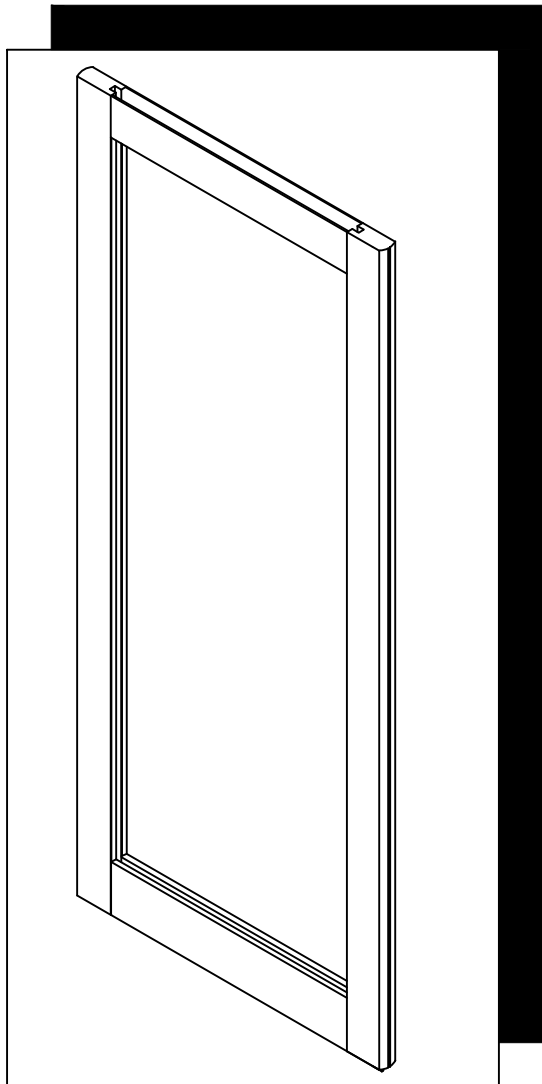


10" FULL FRAME TOP RAIL



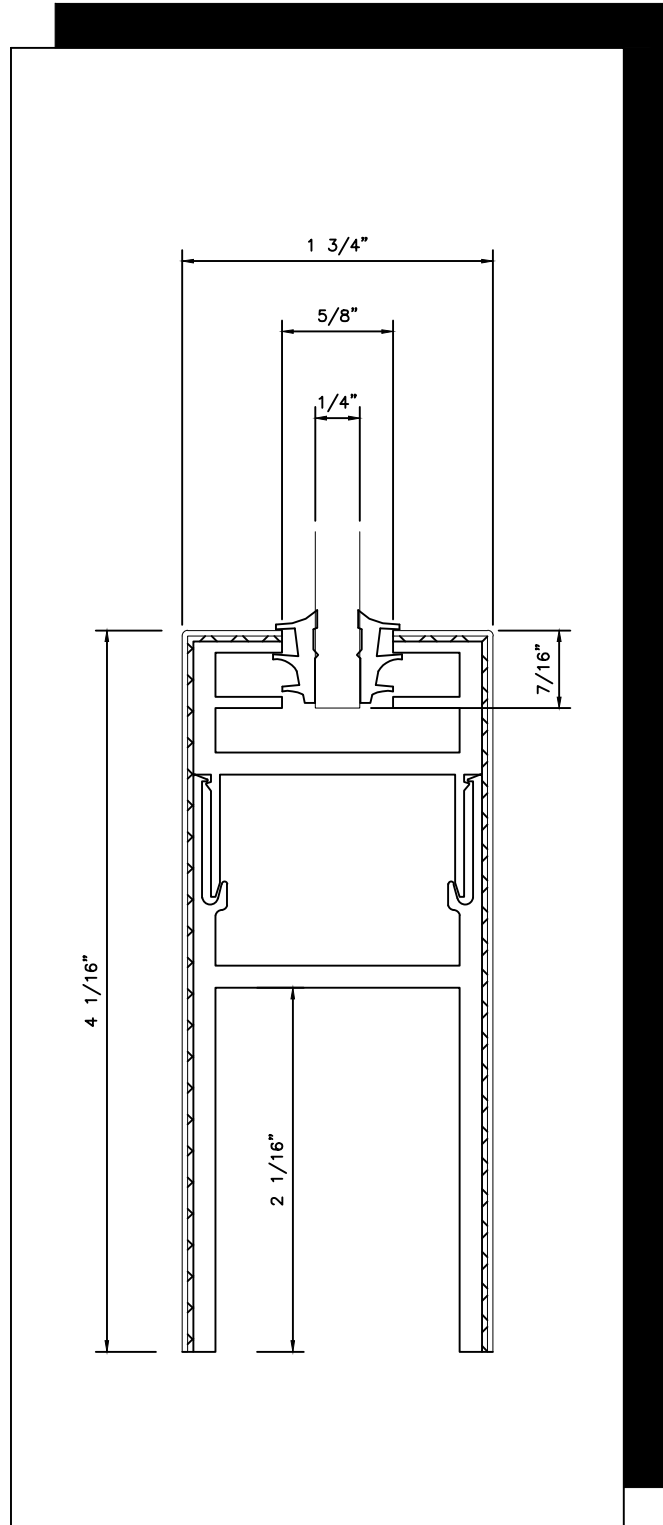
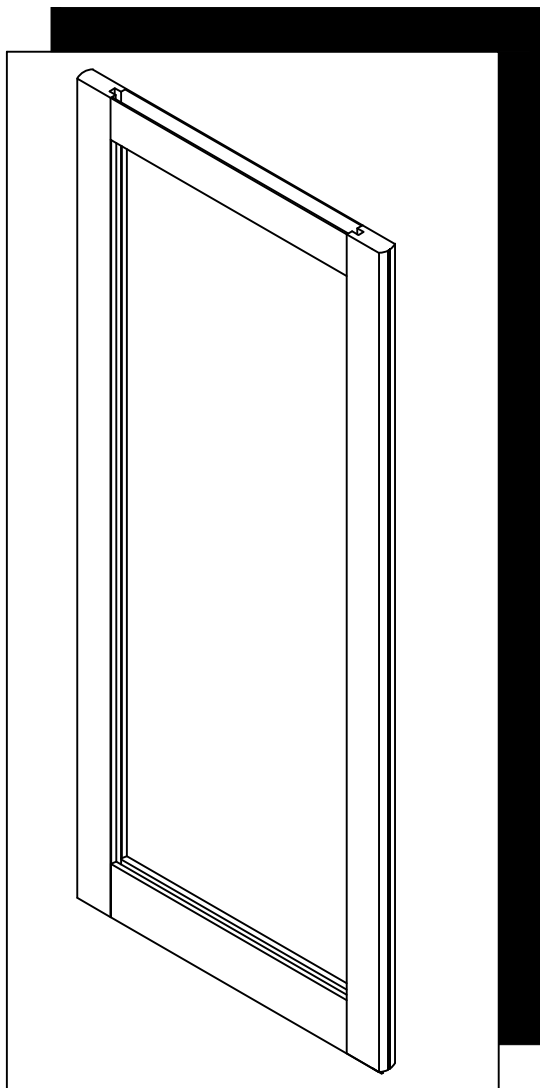
4" RAIL FOR FULL FRAME DOORS

PRL GLASS
SYSTEMS
INC.



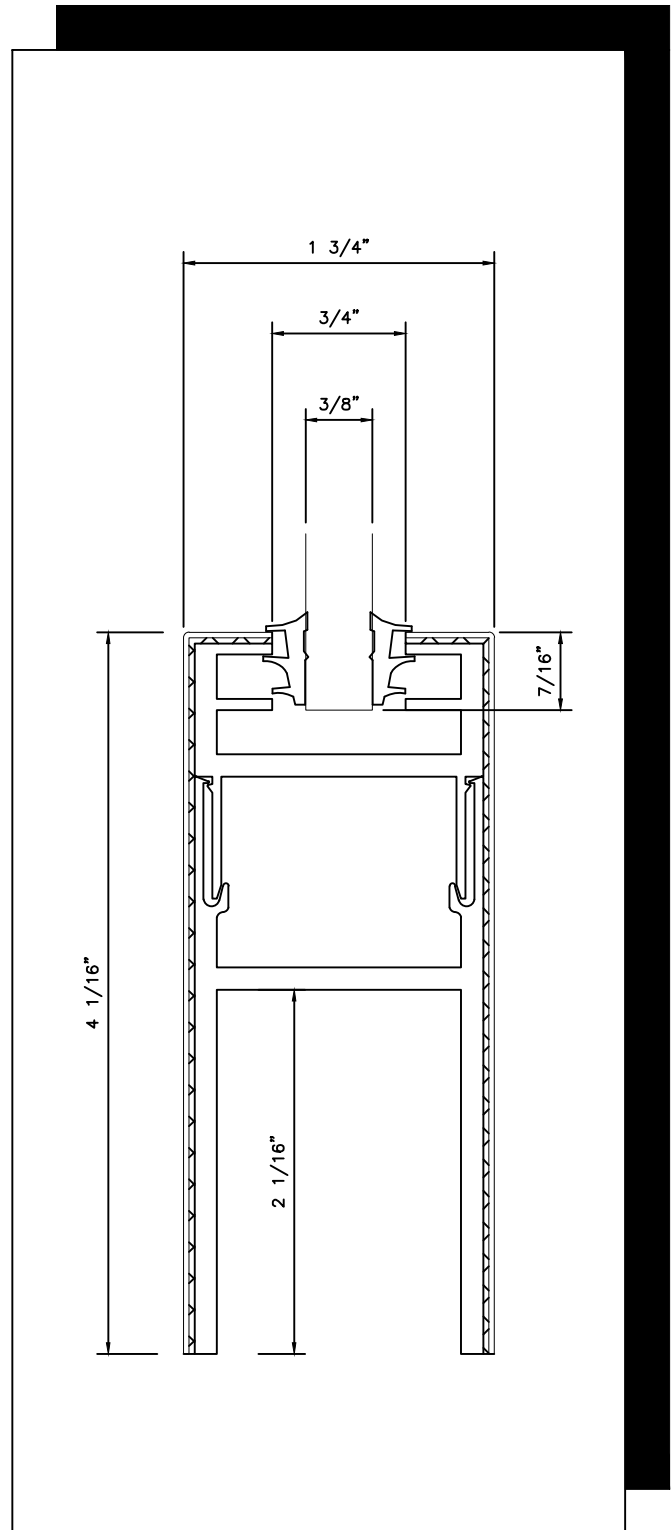
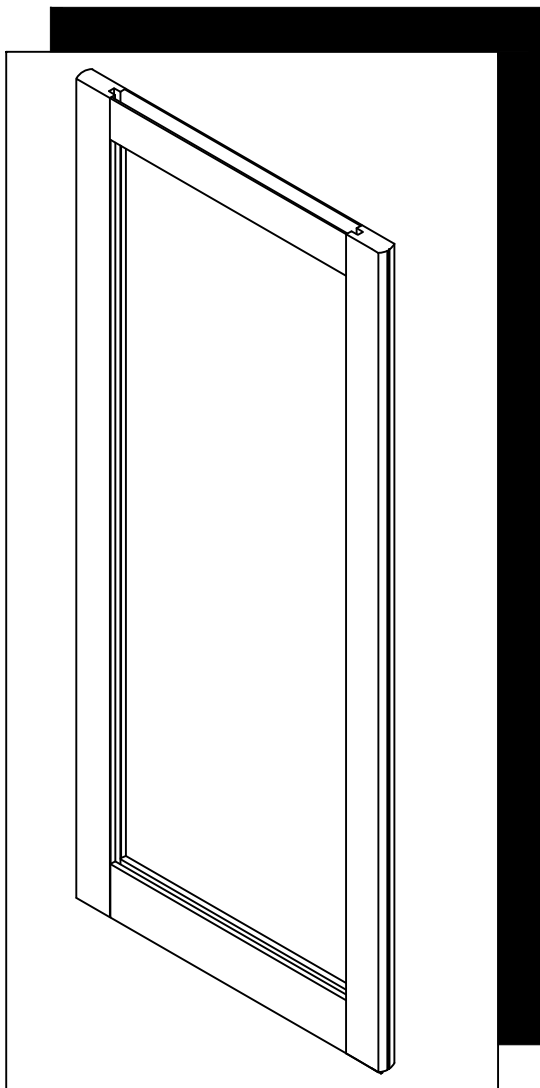
4" RAIL FOR FULL FRAME DOORS

PRL GLASS
SYSTEMS
INC.



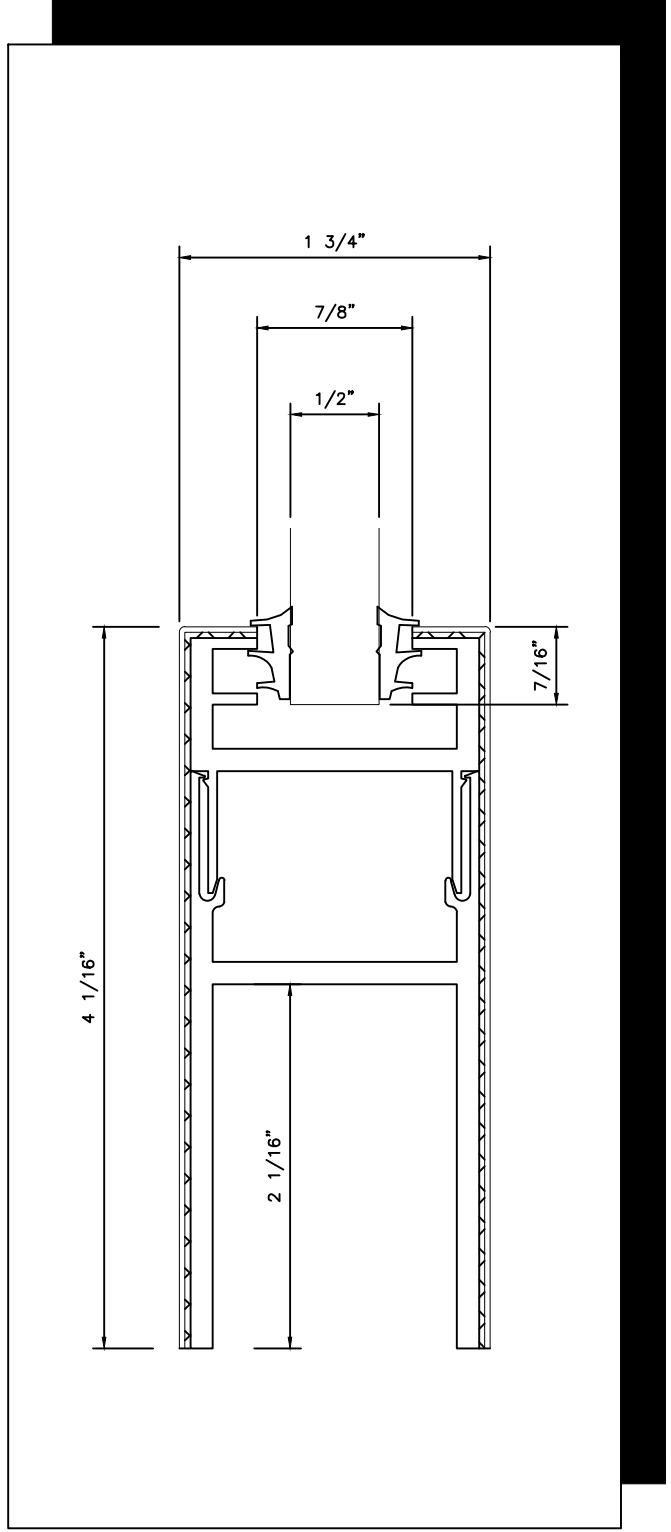
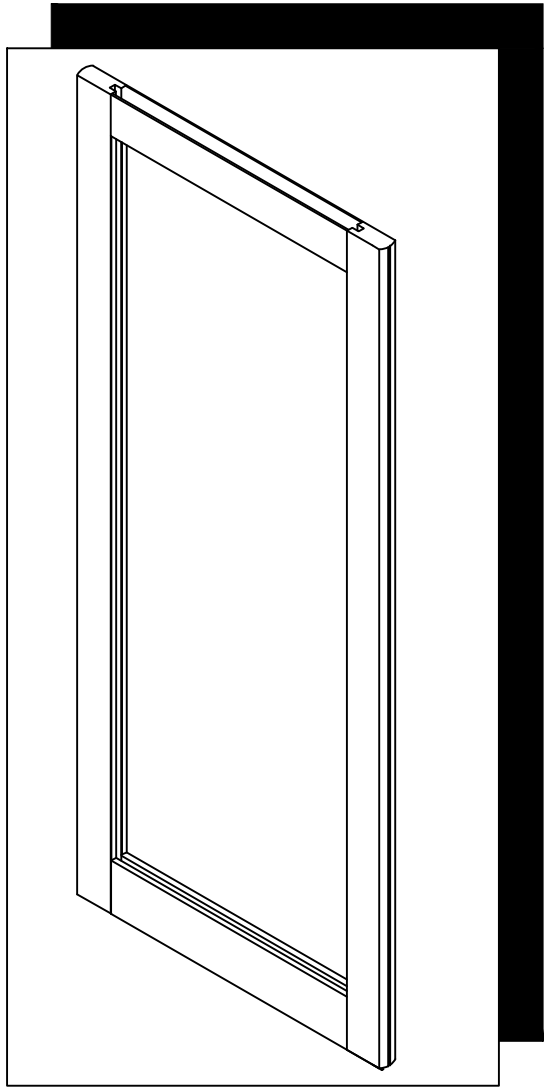
4" RAIL FOR FULL FRAME DOORS

PRL GLASS
SYSTEMS
INC.



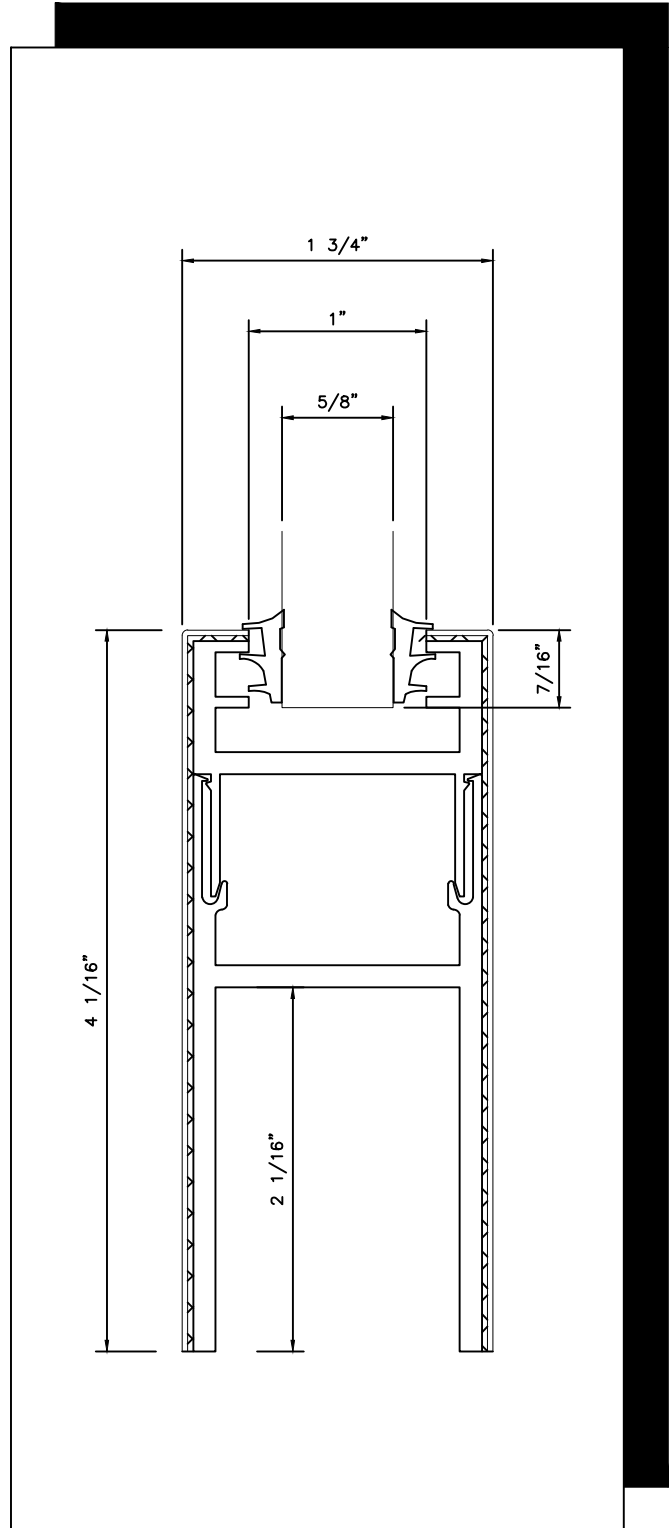
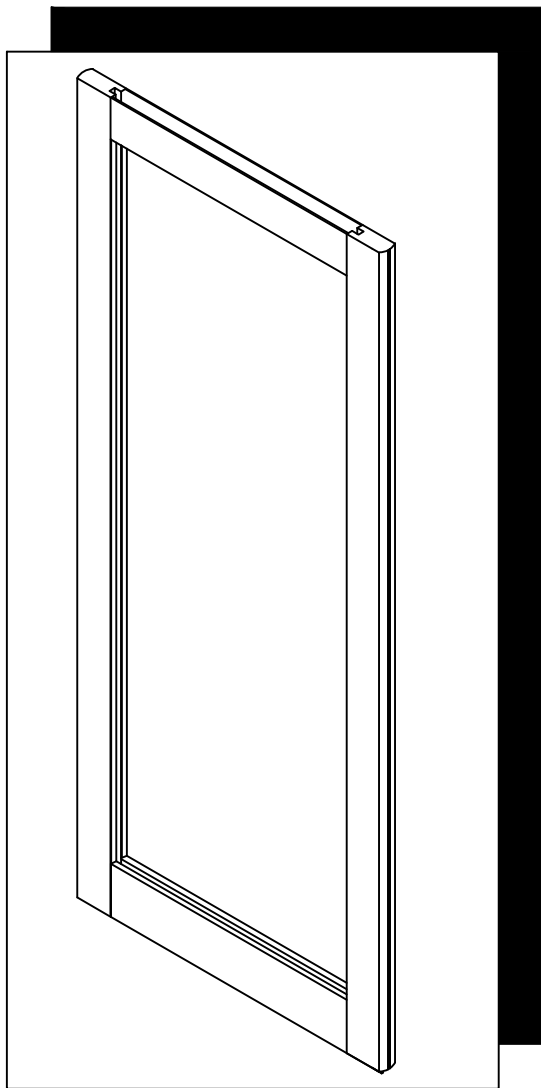
4" RAIL FOR FULL FRAME DOORS

PRL GLASS SYSTEMS
INC.



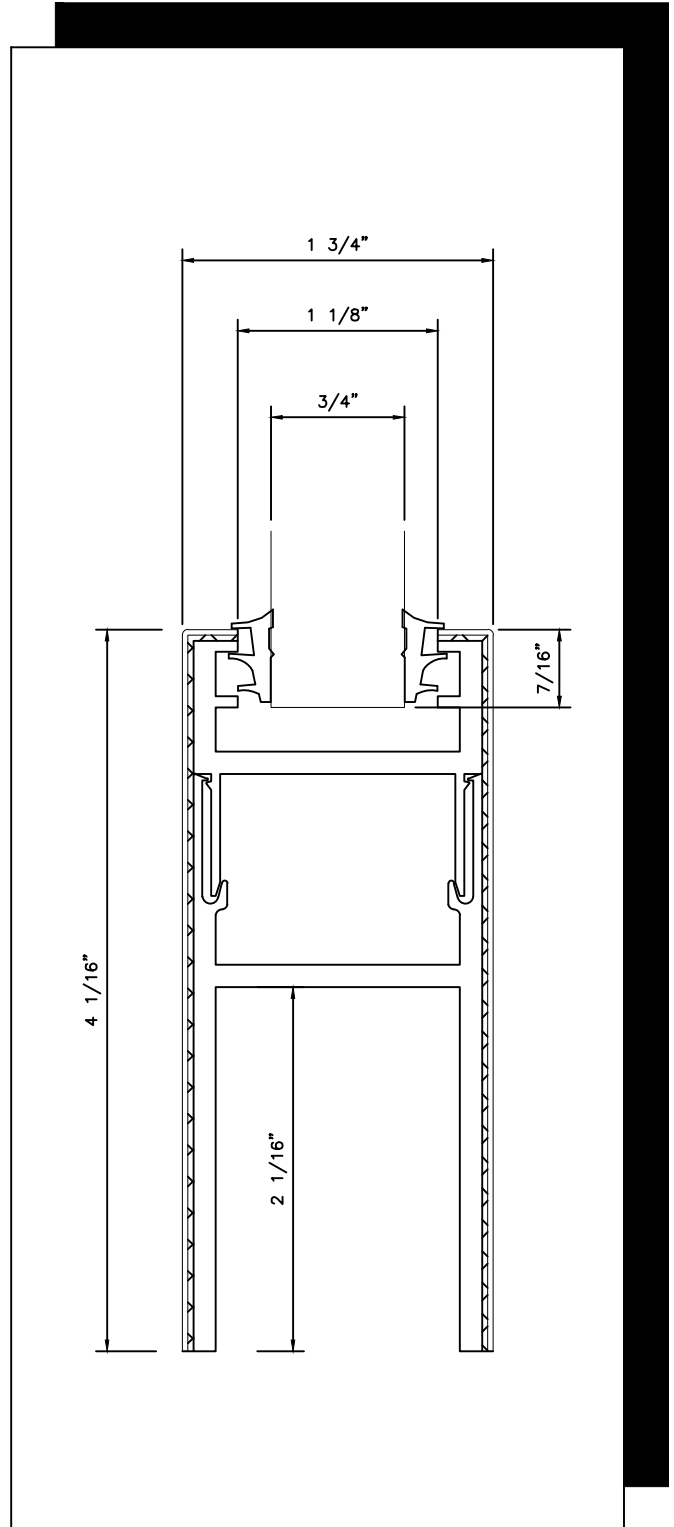
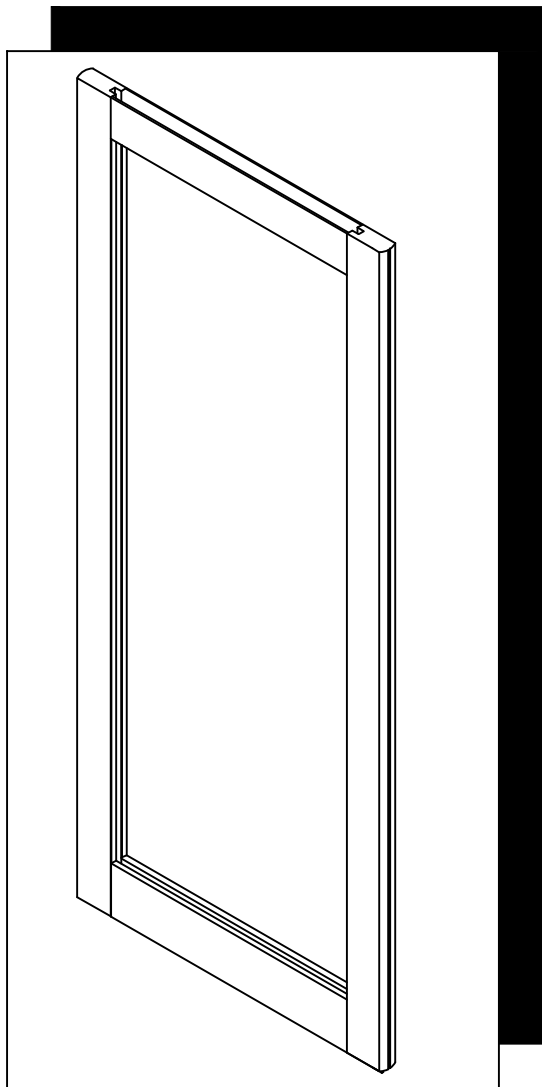
4" RAIL FOR FULL FRAME DOORS

PRL GLASS
SYSTEMS
INC.



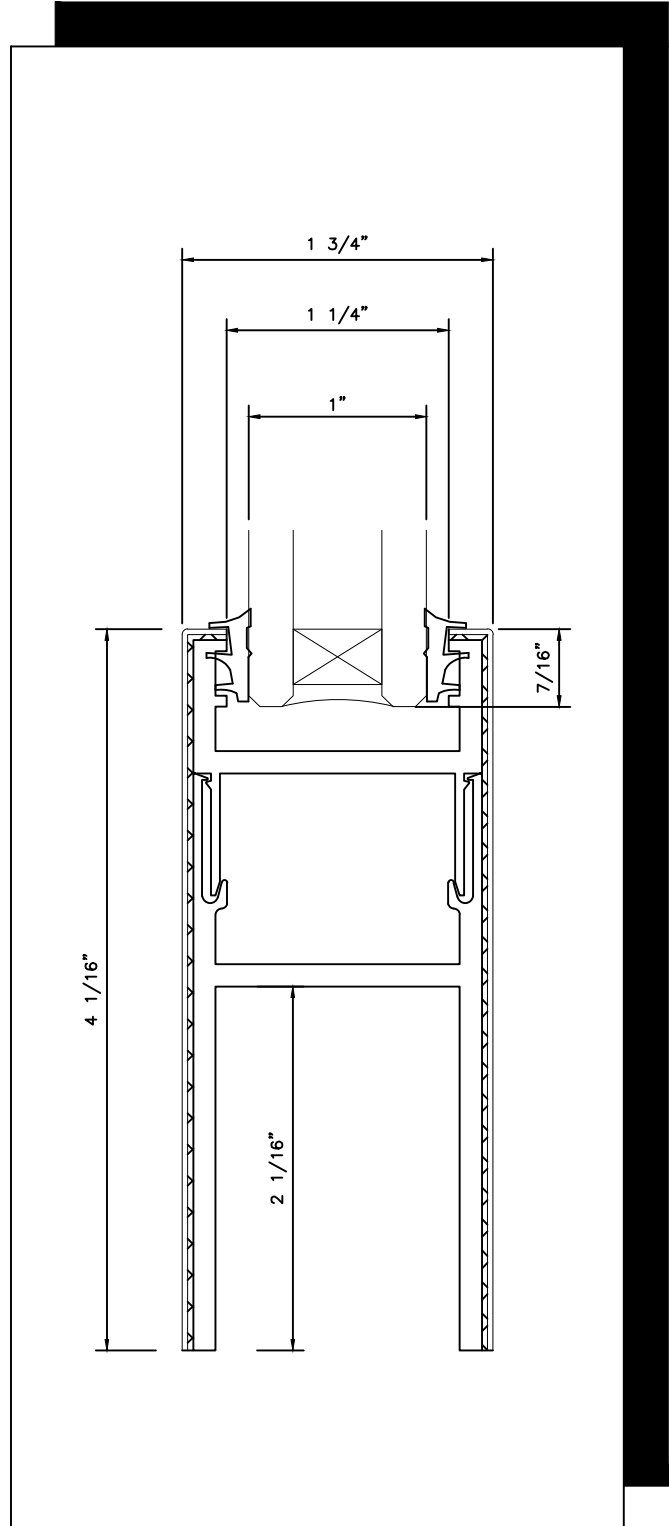
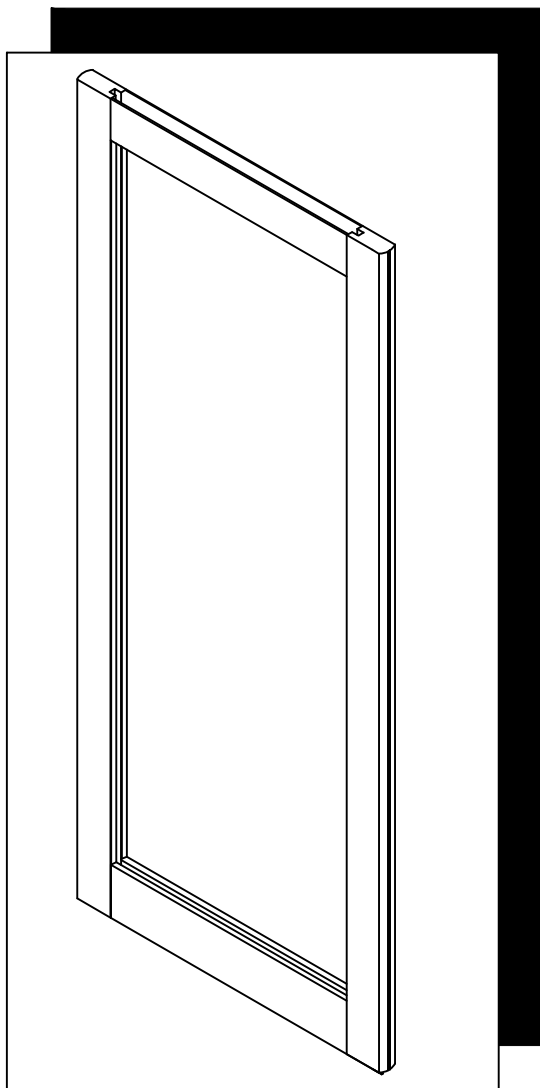
4" RAIL FOR FULL FRAME DOORS

PRL GLASS
SYSTEMS
INC.



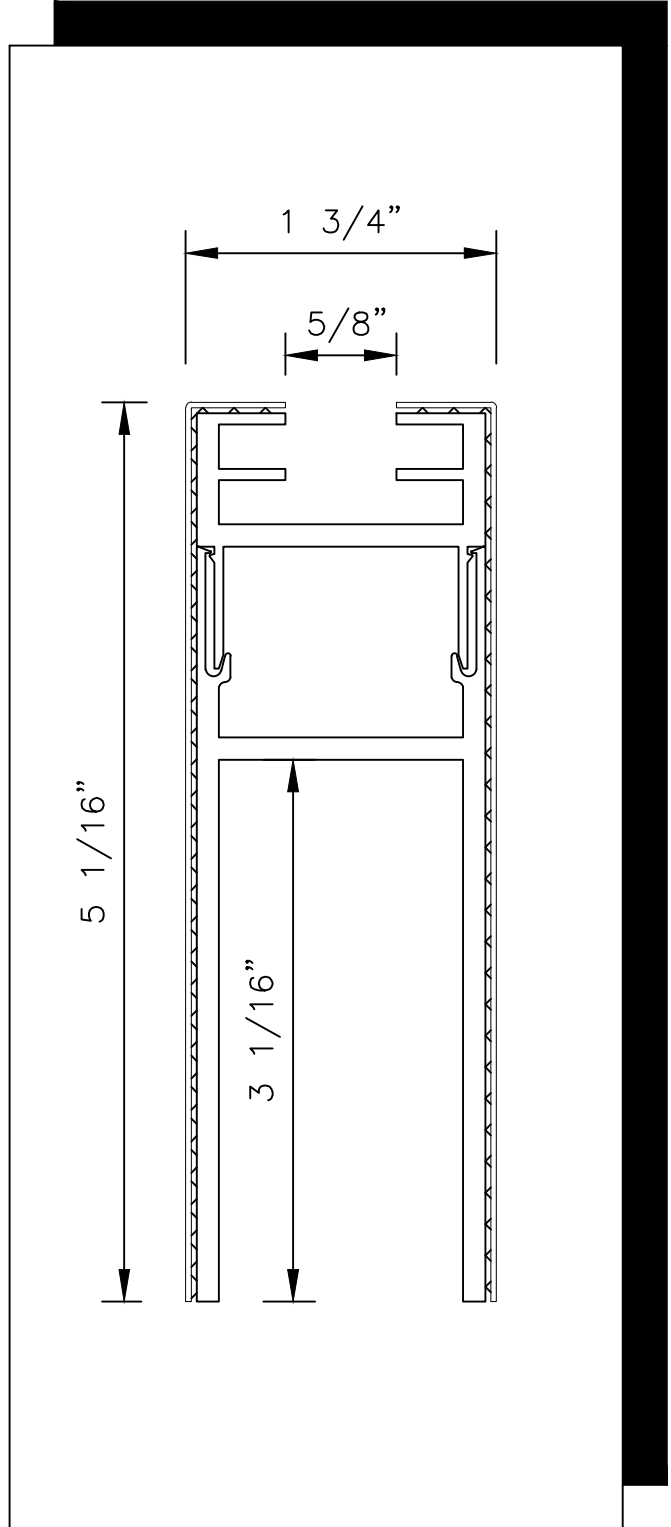
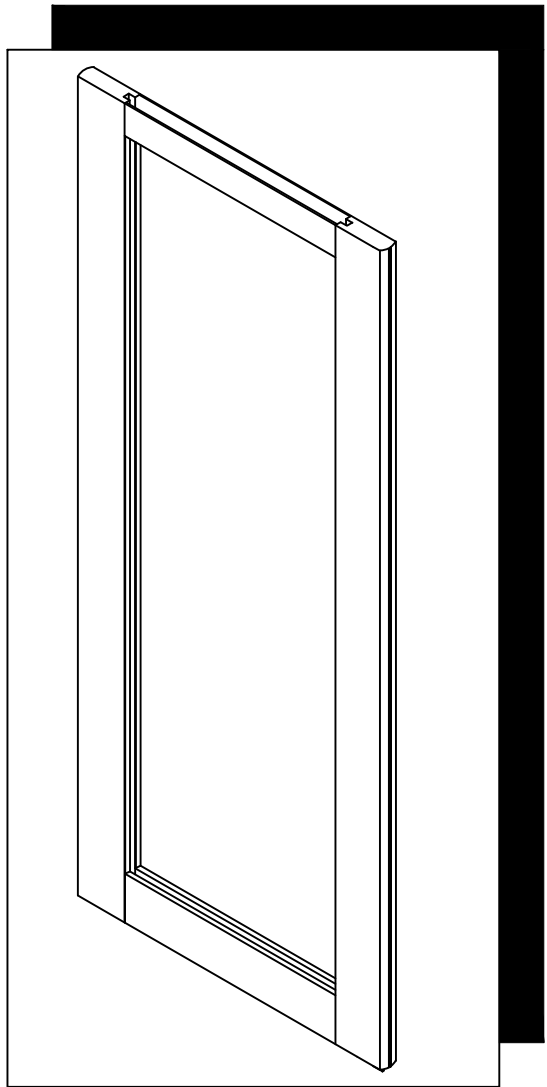
4" RAIL FOR FULL FRAME DOORS

PRL GLASS SYSTEMS
INC.



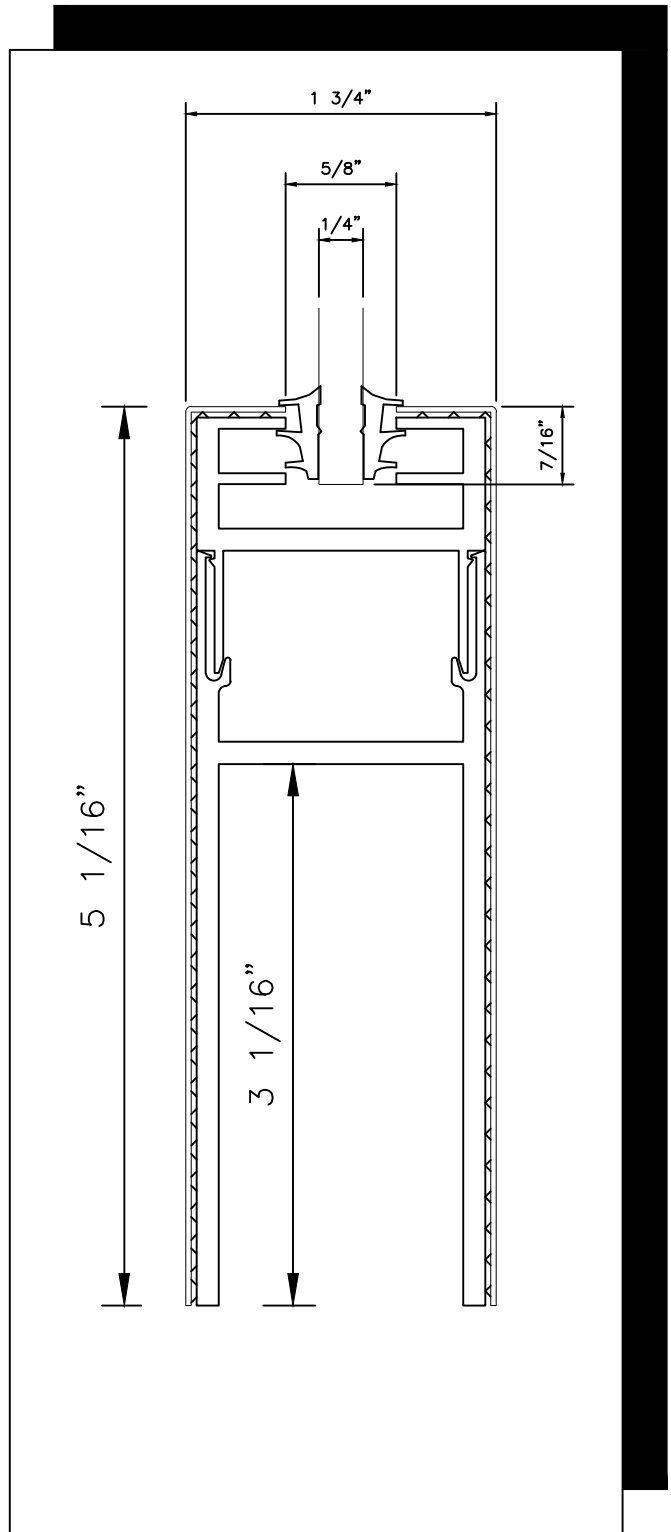
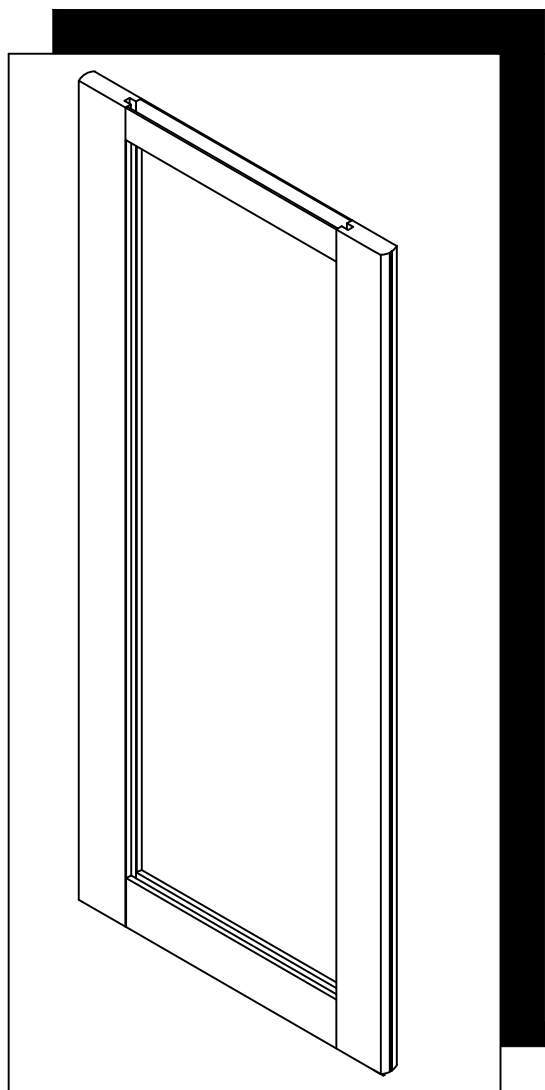
5" RAIL FOR FULL FRAME DOORS

PRL GLASS
SYSTEMS
INC.



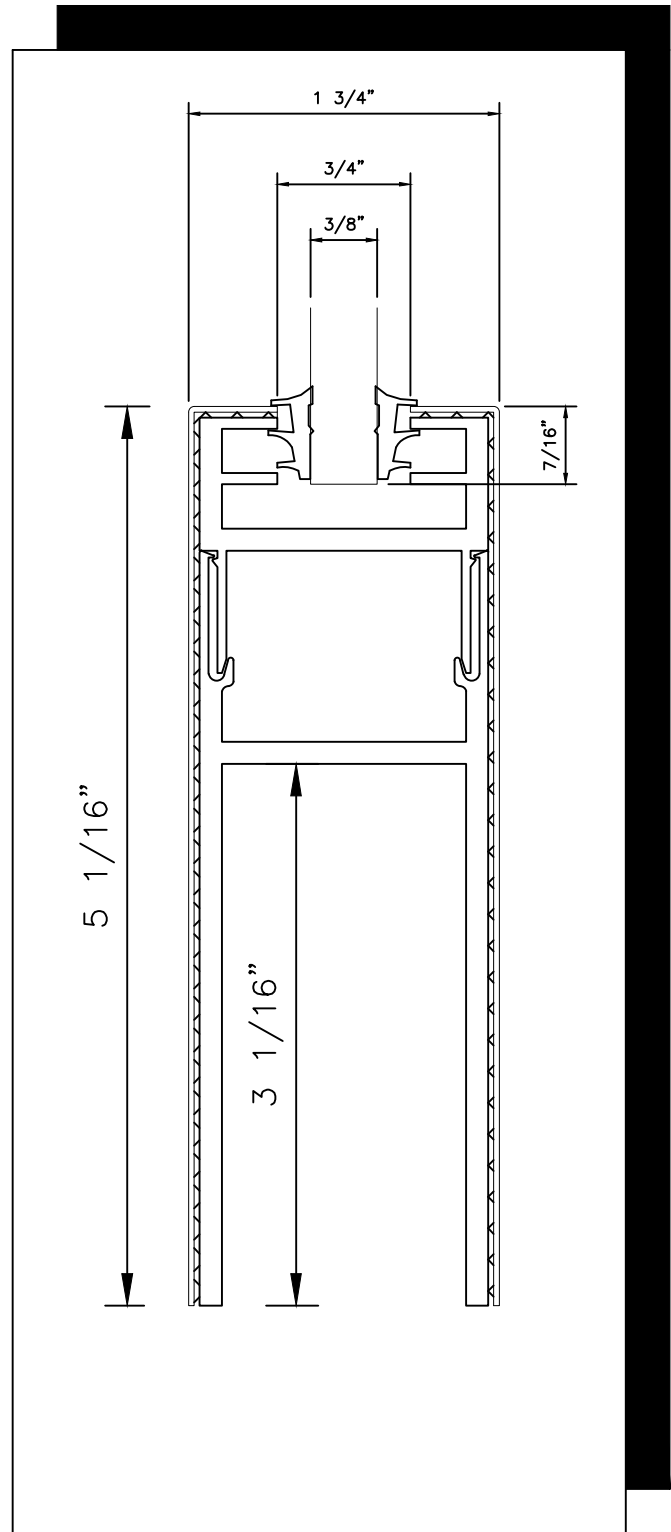
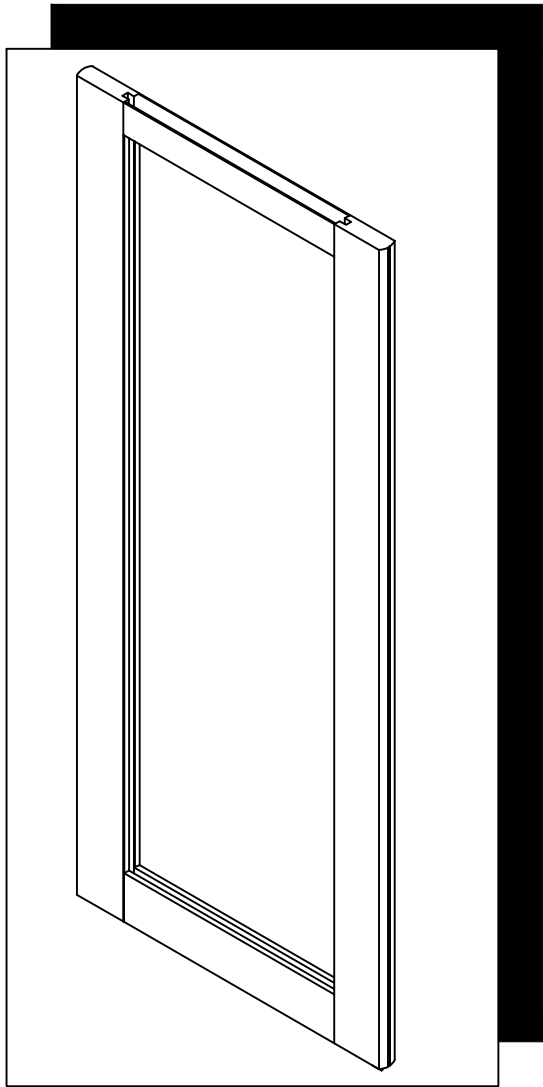
5" RAIL FOR FULL FRAME DOORS

PRL GLASS
SYSTEMS
INC.



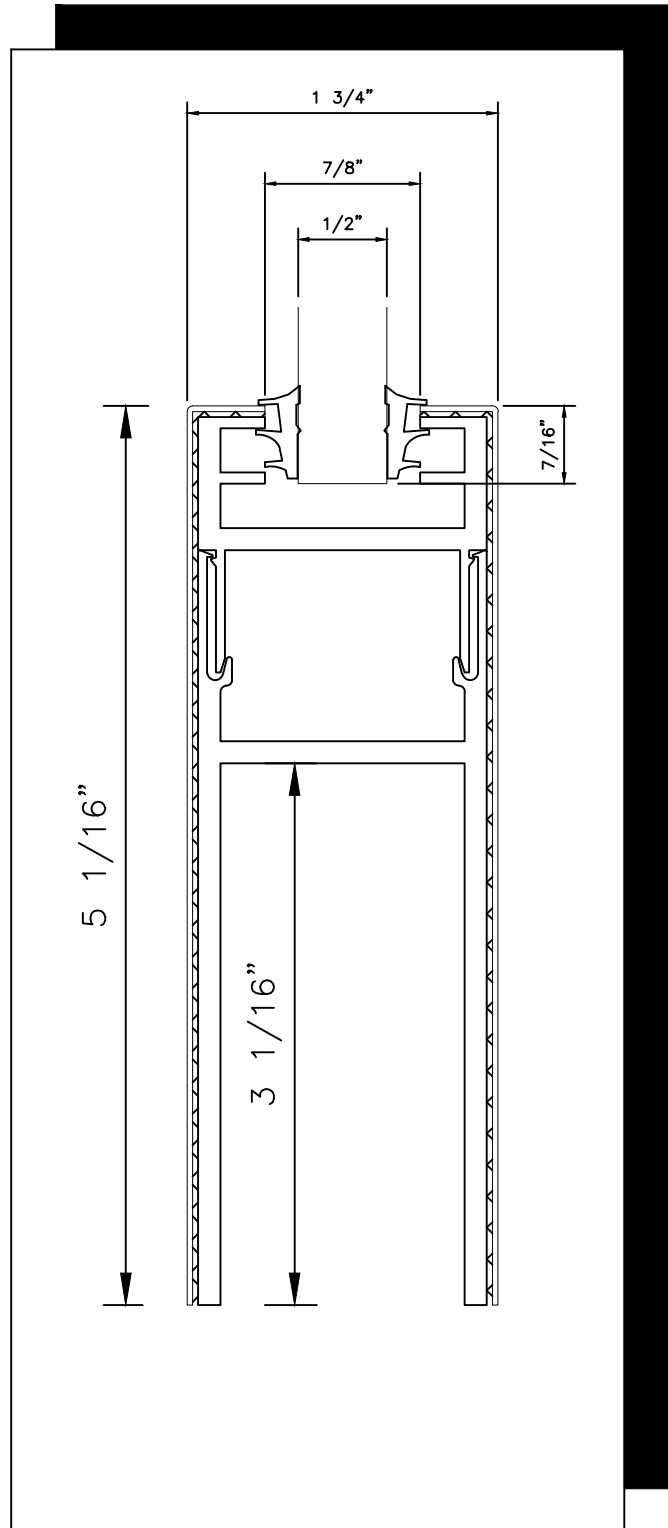
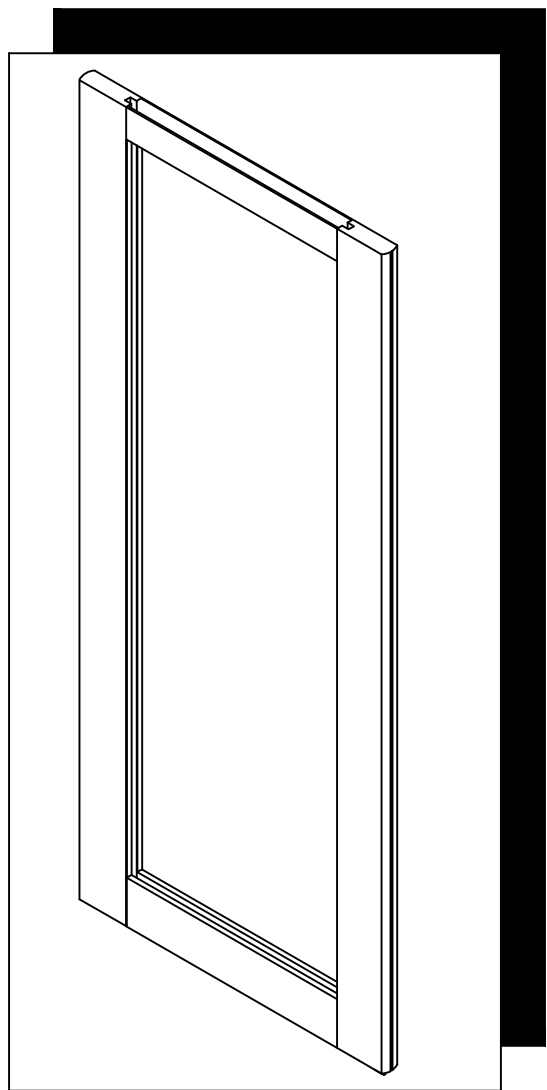
5" RAIL FOR FULL FRAME DOORS

PRL GLASS
SYSTEMS
INC.



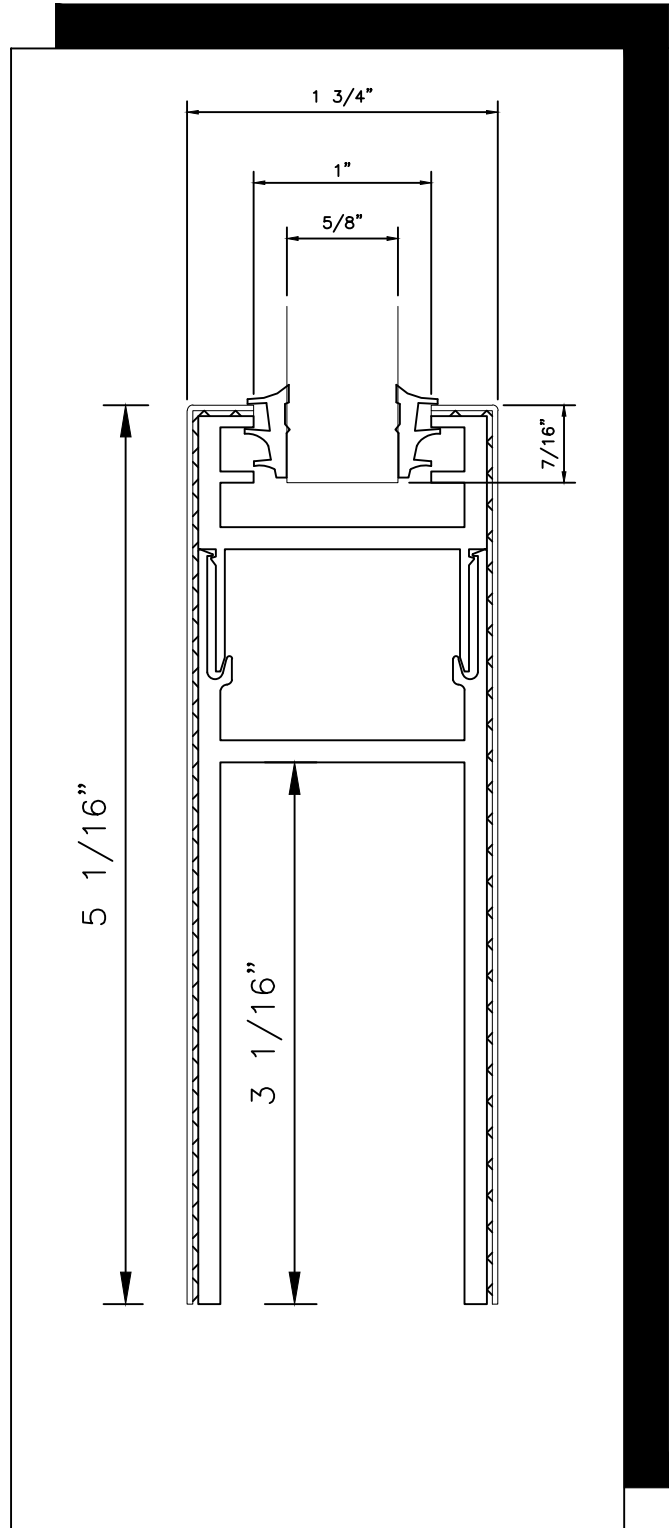
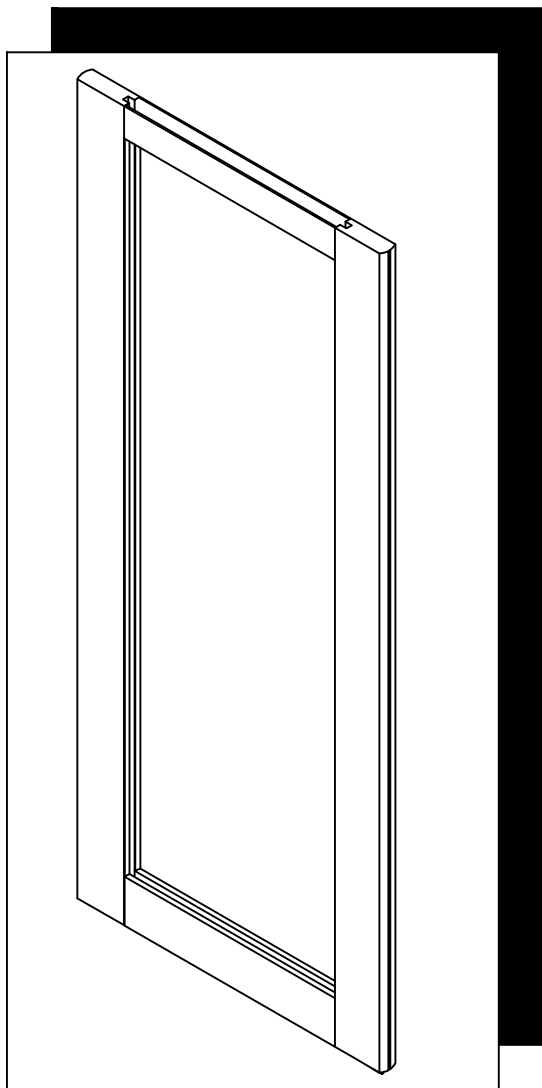
5" RAIL FOR FULL FRAME DOORS

PRL GLASS
SYSTEMS
INC.



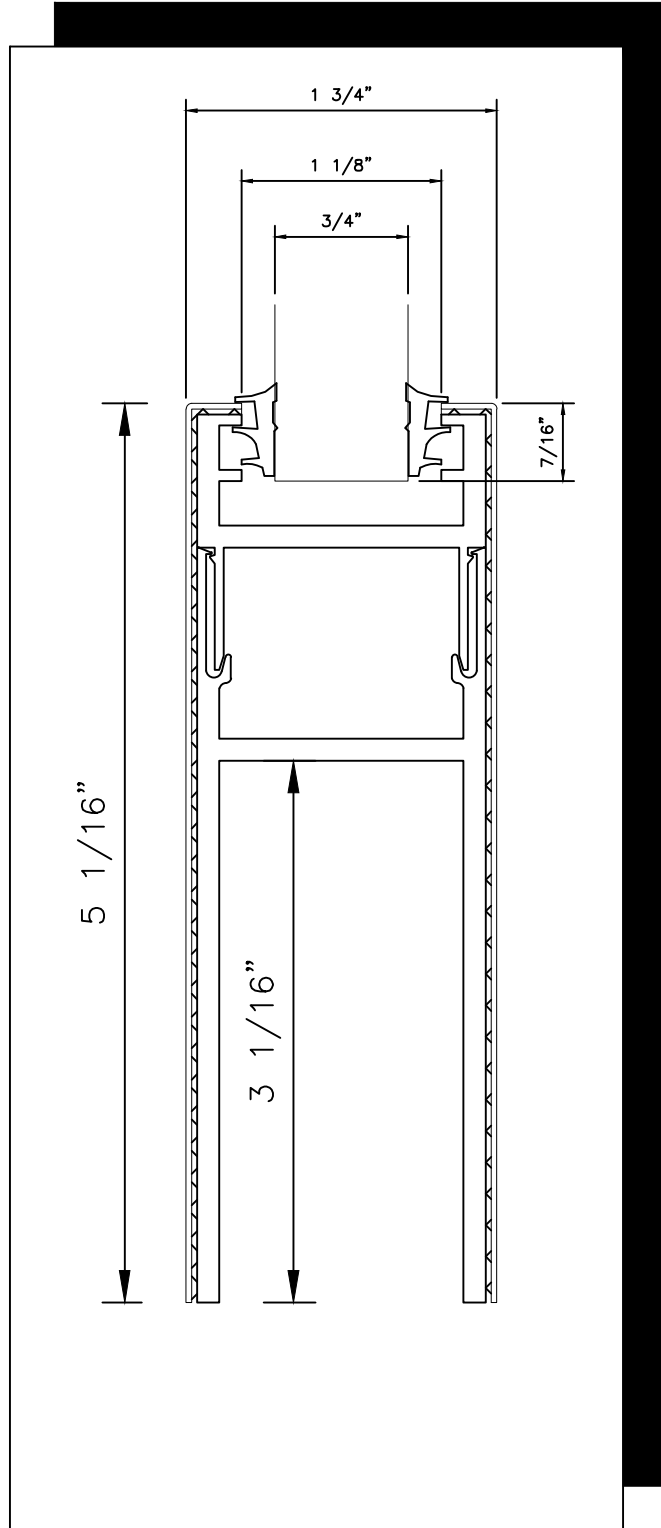
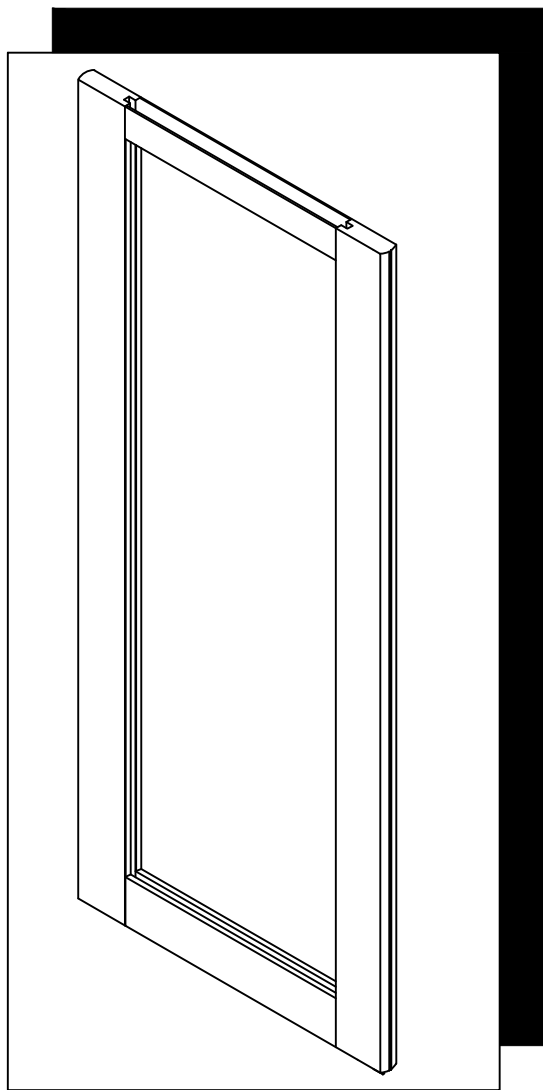
5" RAIL FOR FULL FRAME DOORS

PRL GLASS
SYSTEMS
INC.



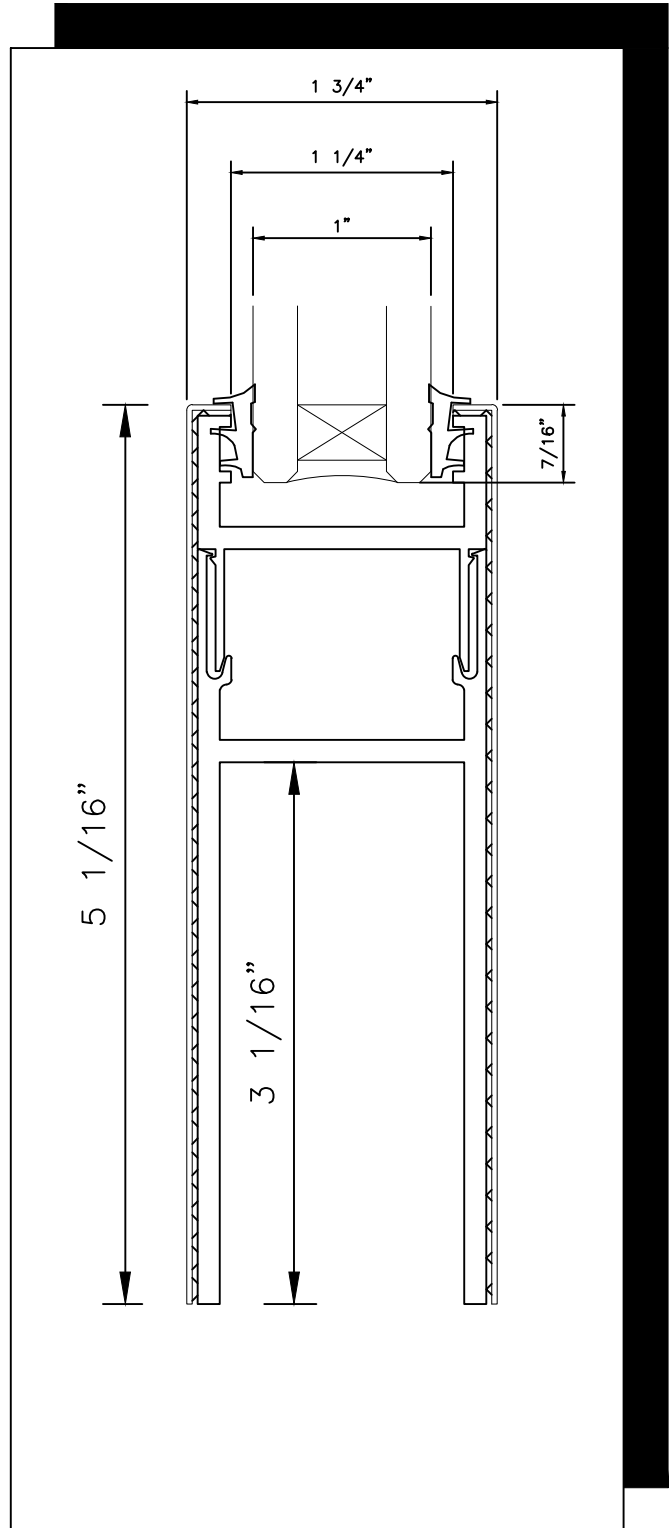
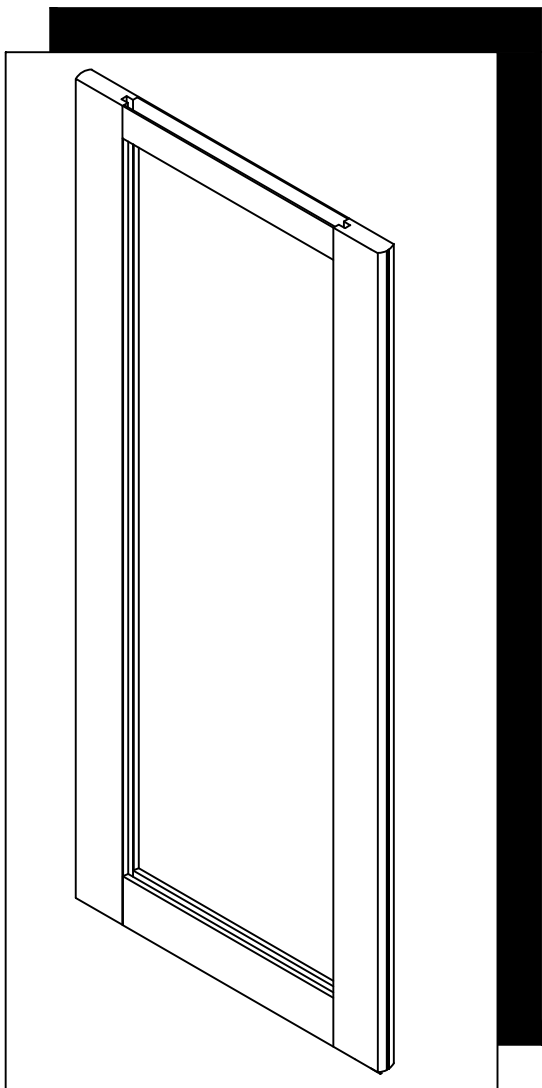
5" RAIL FOR FULL FRAME DOORS

PRL GLASS
SYSTEMS
INC.



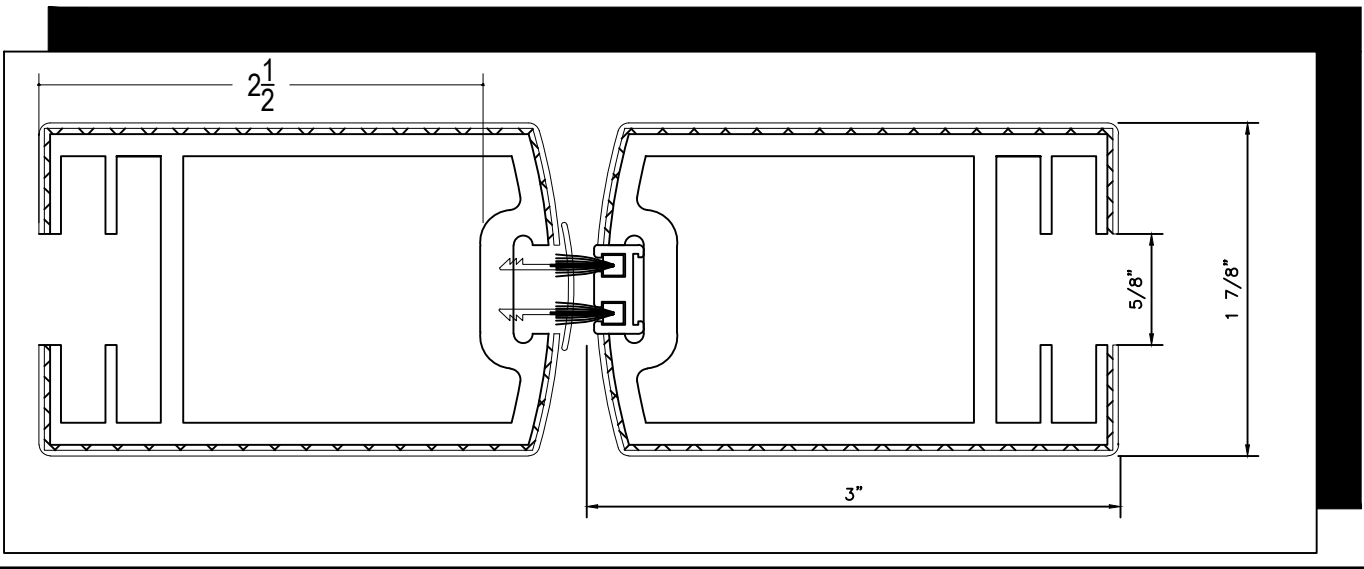
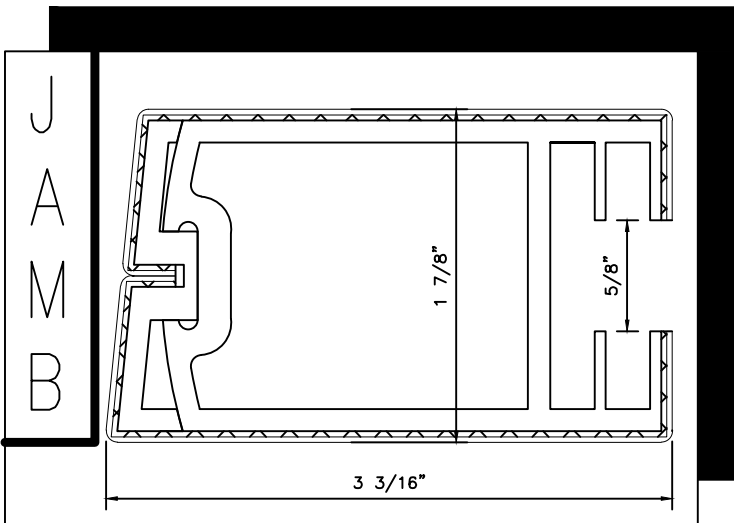
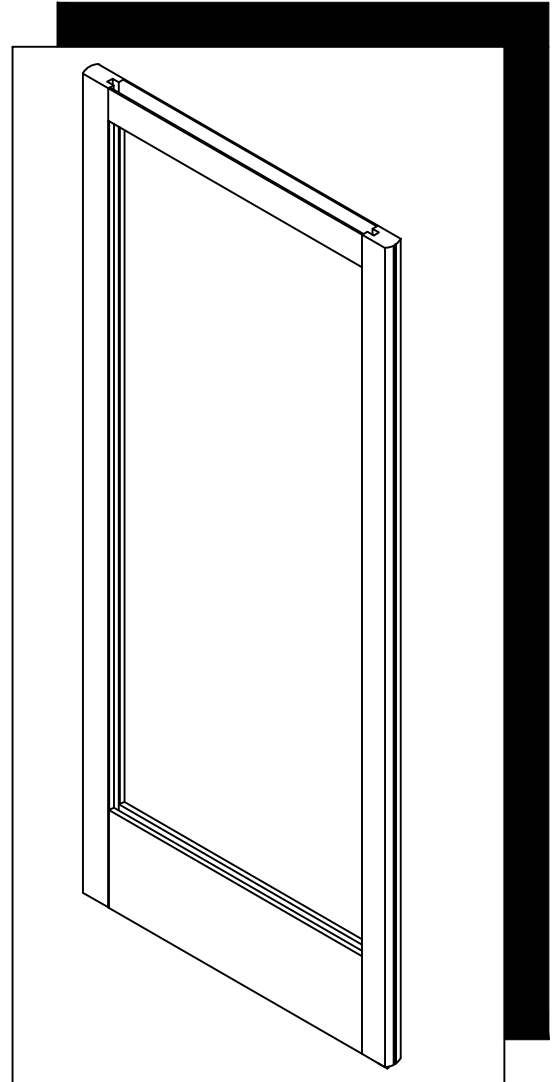
5" RAIL FOR FULL FRAME DOORS

PRL GLASS
SYSTEMS
INC.



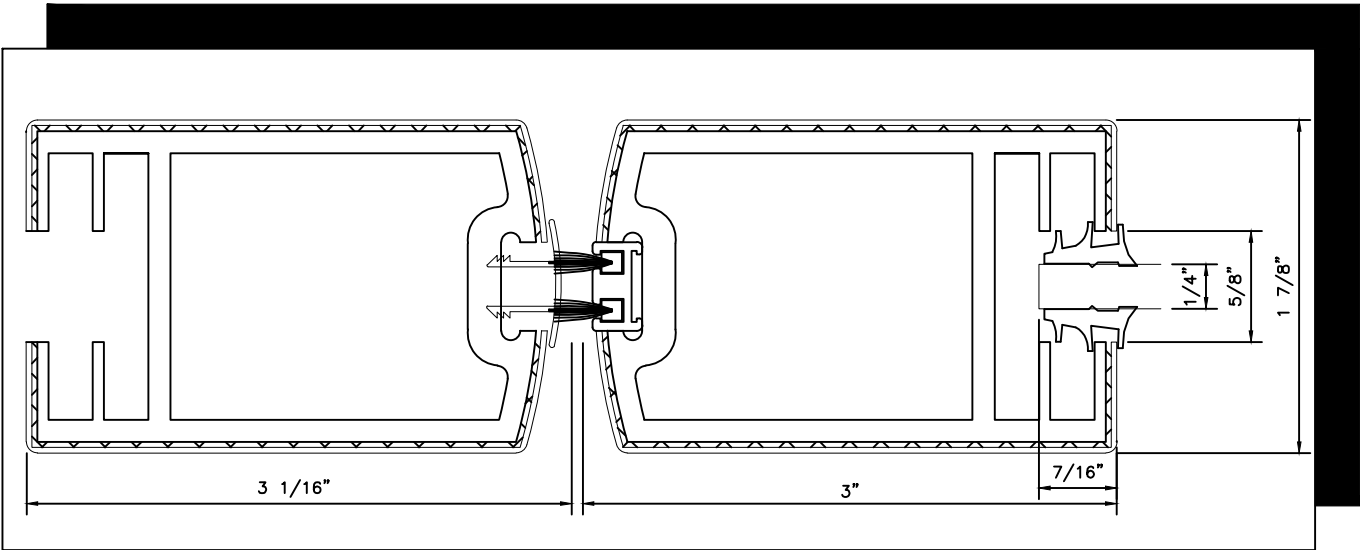
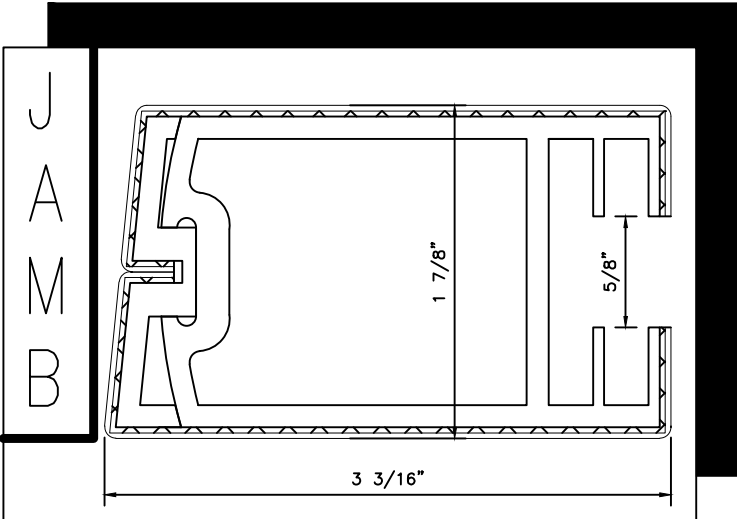
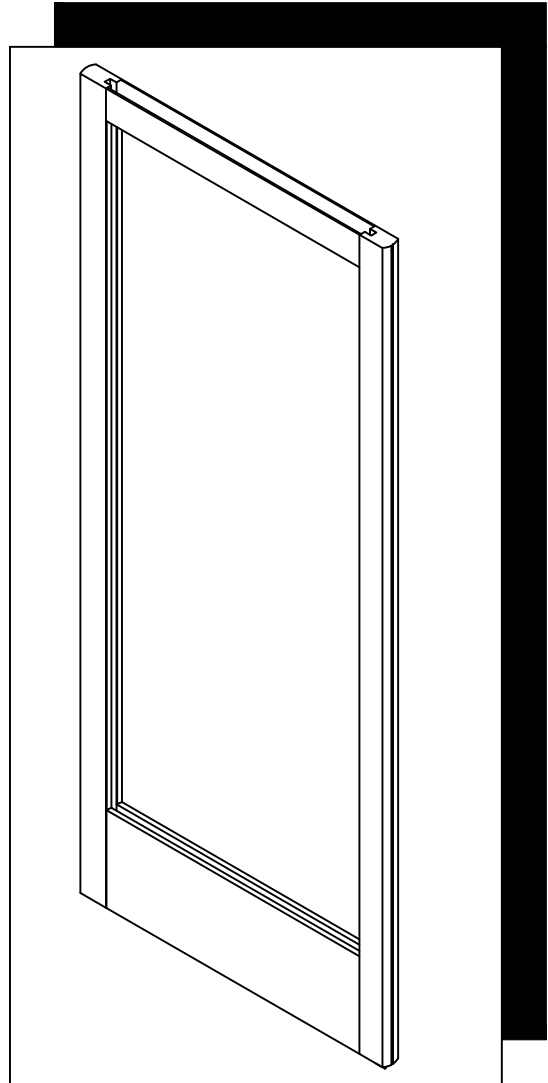
3" NARROW STILE BEVELED / RADIUS

PRL GLASS SYSTEMS
INC.



3" NARROW STILE BEVELED / RADIUS

PRL GLASS SYSTEMS
INC.

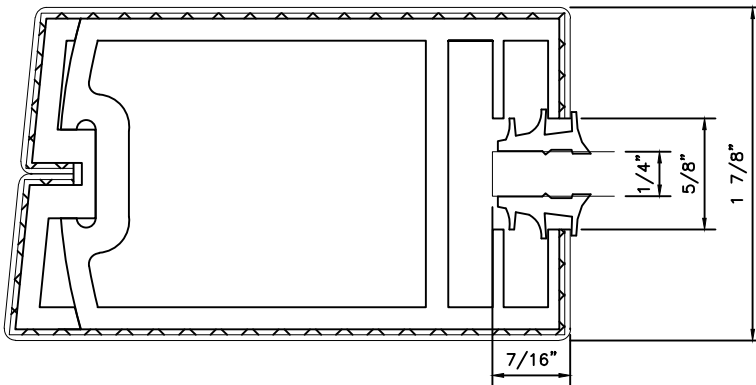
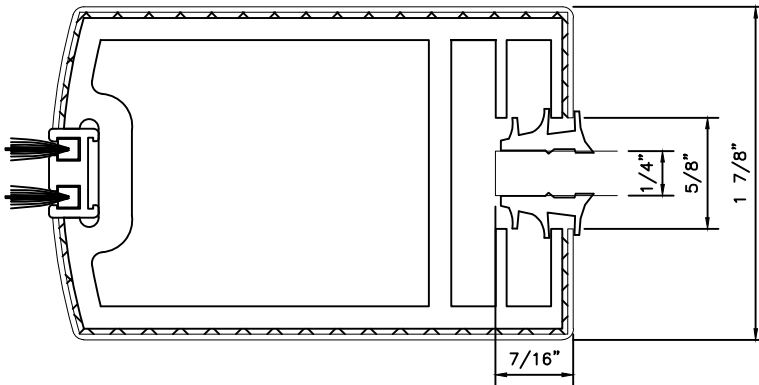
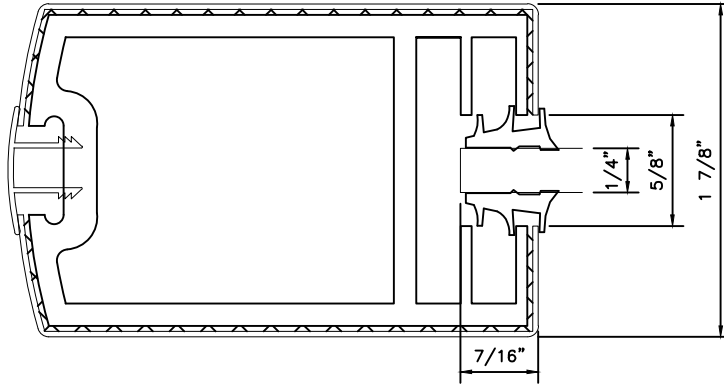


3" NARROW STILE
BEVELED / RADIUS

PRL GLASS
SYSTEMS
INC.

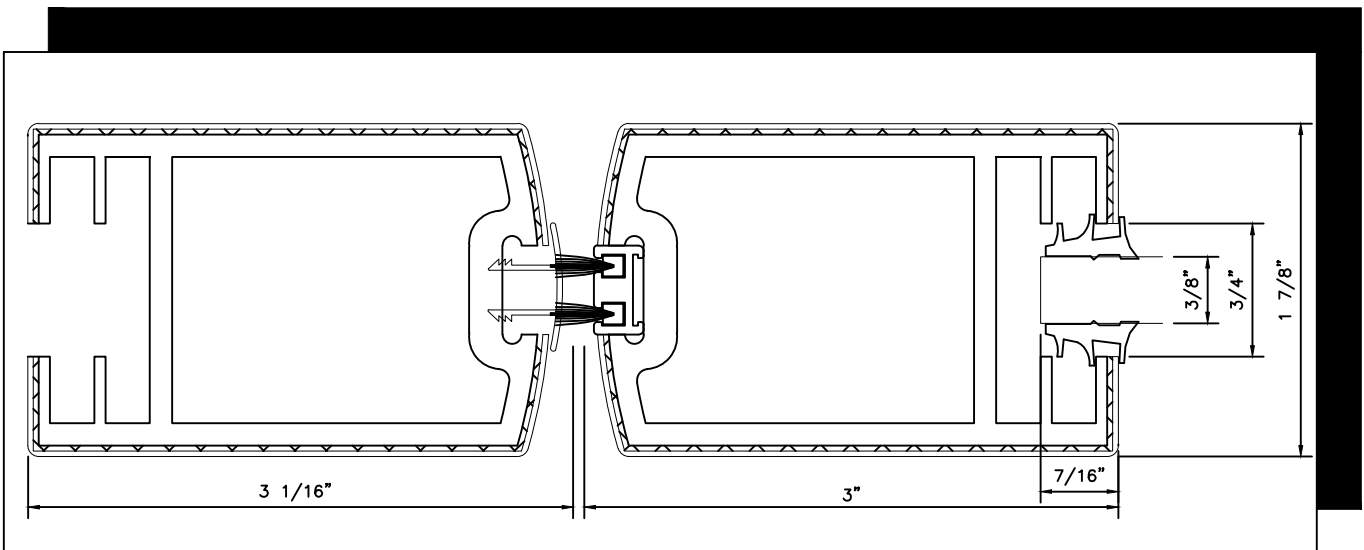
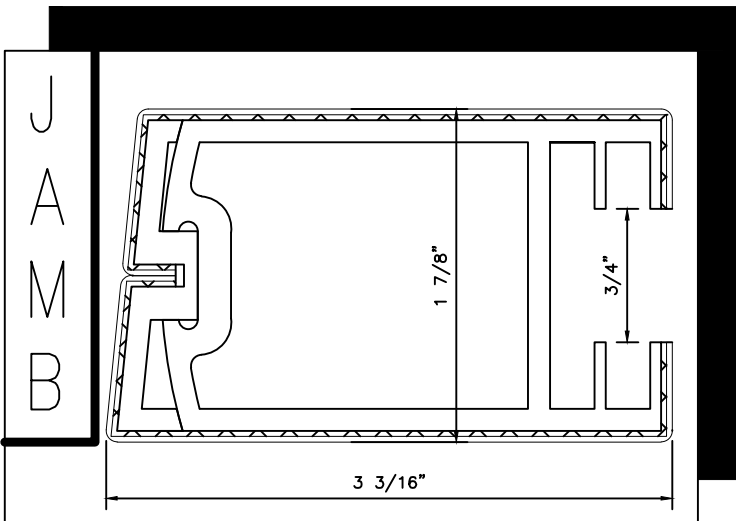
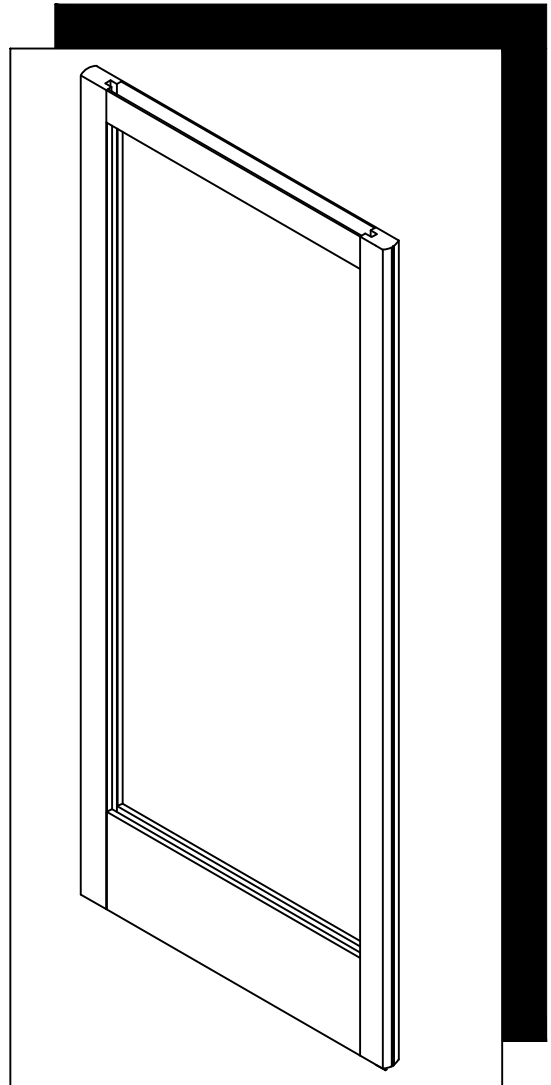


ripped for
1/4" I.G.



3" NARROW STILE BEVELED / RADIUS

PRL GLASS SYSTEMS
INC.

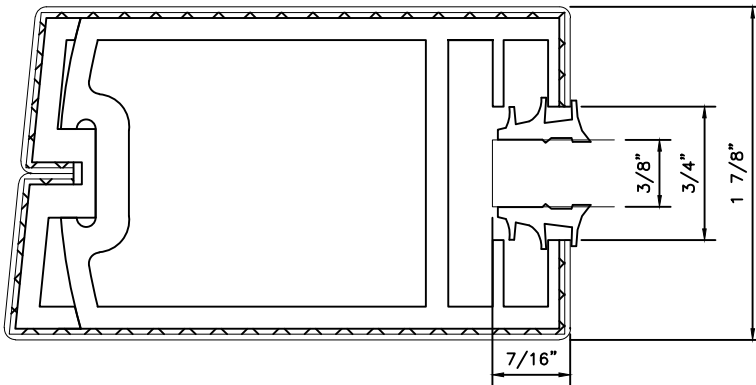
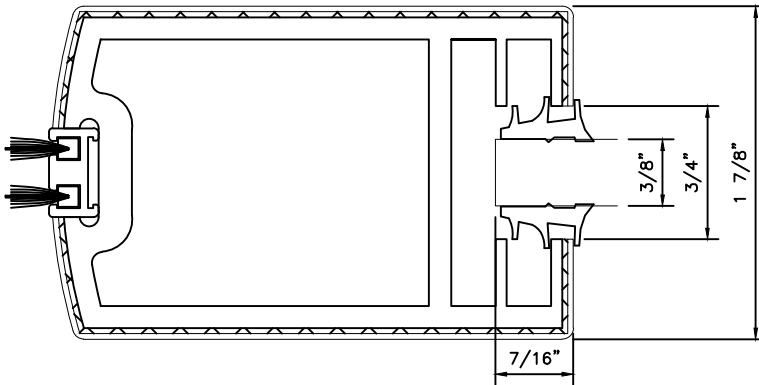
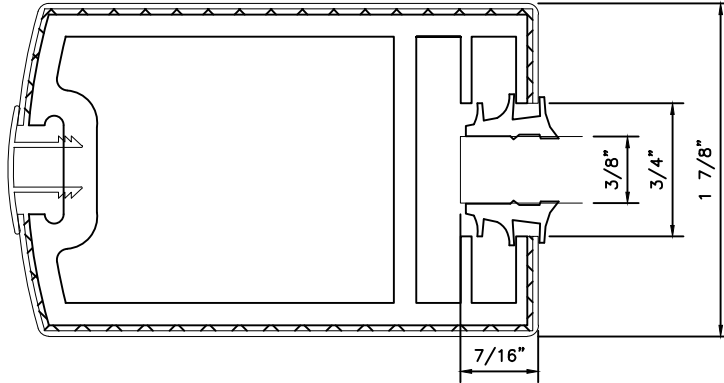


3" NARROW STILE
BEVELED / RADIUS

PRL GLASS
SYSTEMS
INC.

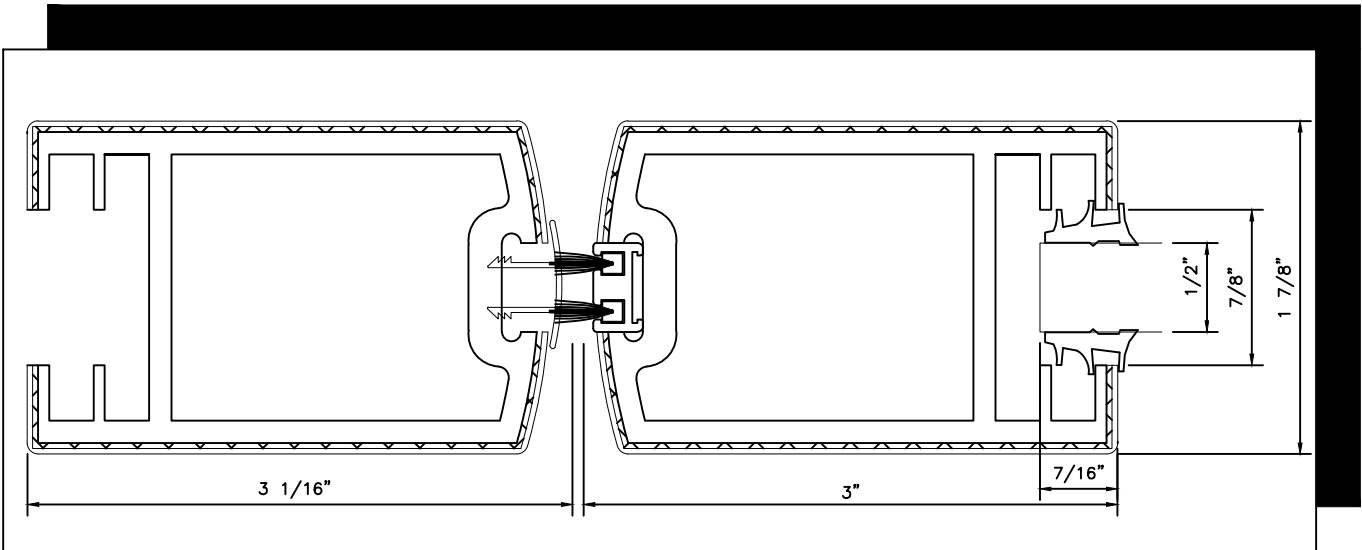
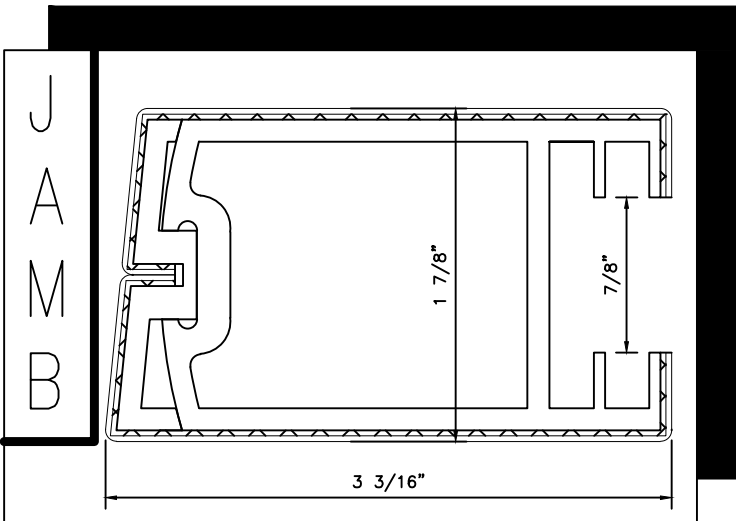
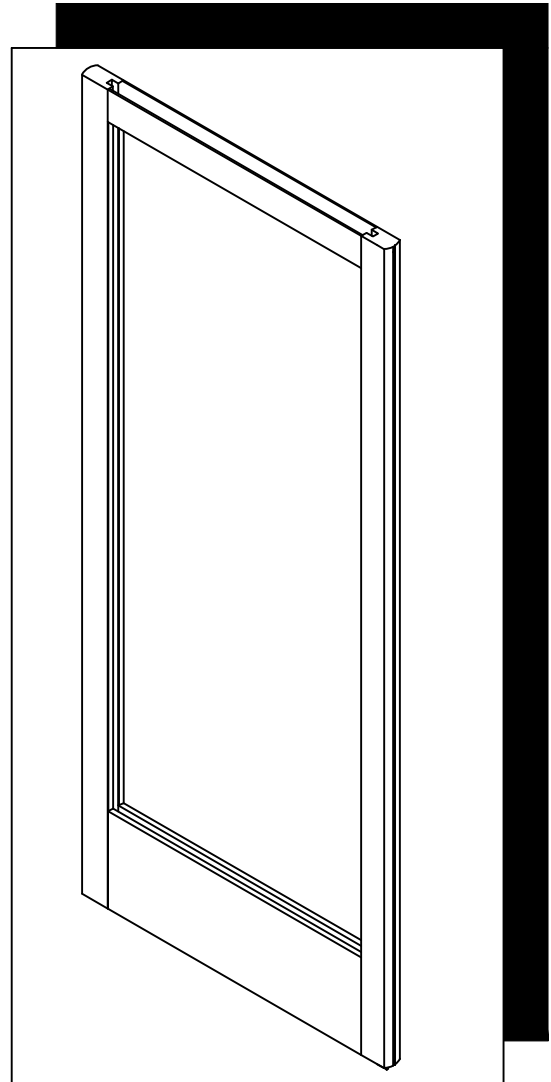
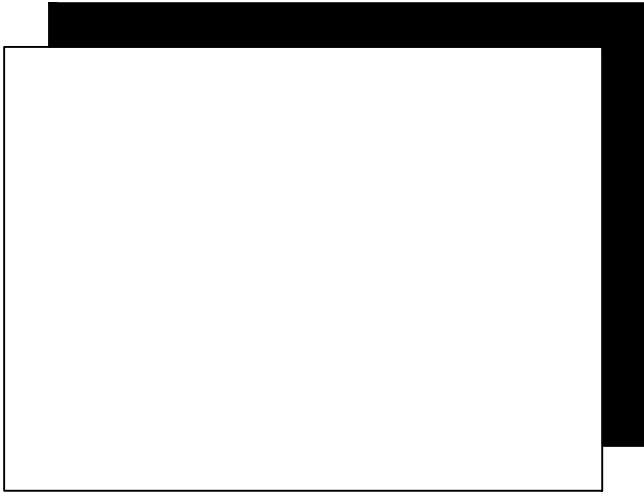


ripped for
3/8" I.G.



3" NARROW STILE BEVELED / RADIUS

PRL GLASS SYSTEMS
INC.

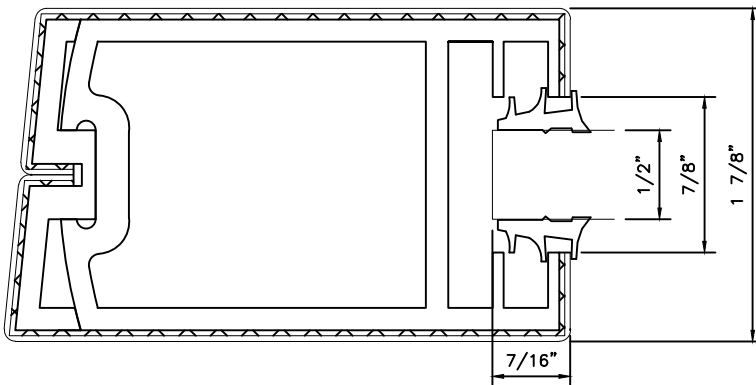
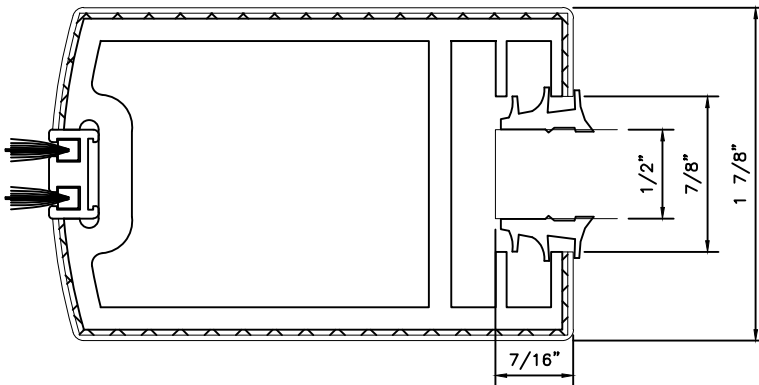
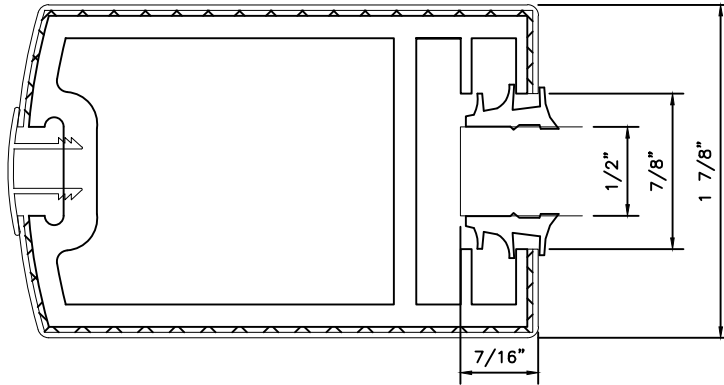


3" NARROW STILE
BEVELED / RADIUS

PRL GLASS
SYSTEMS
INC.

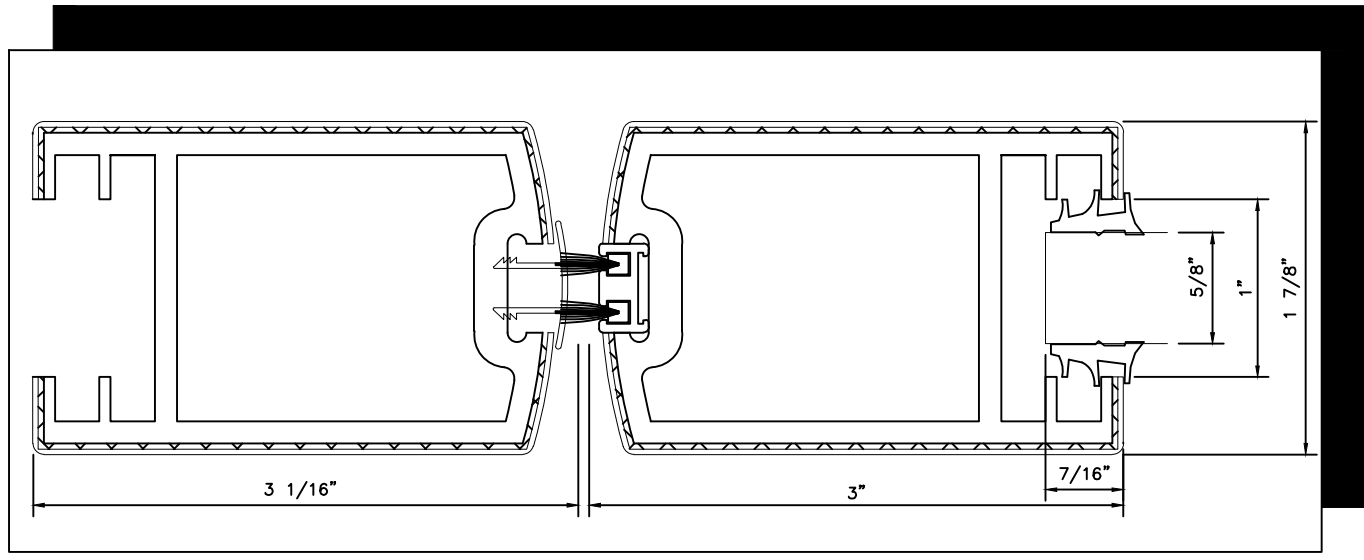
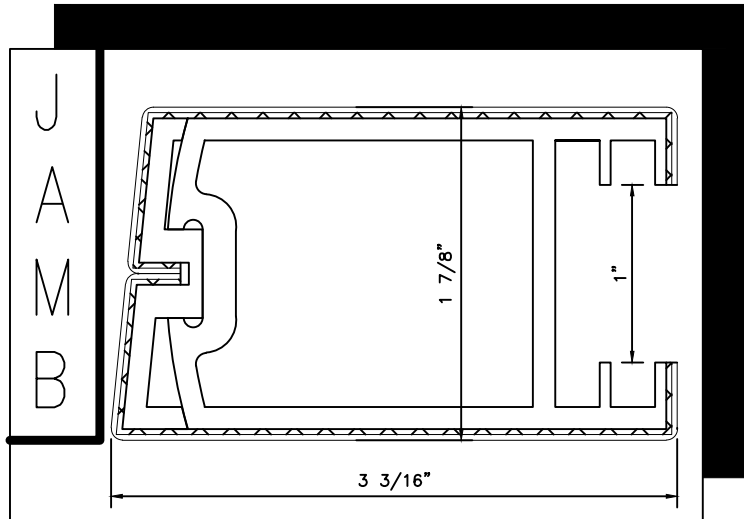
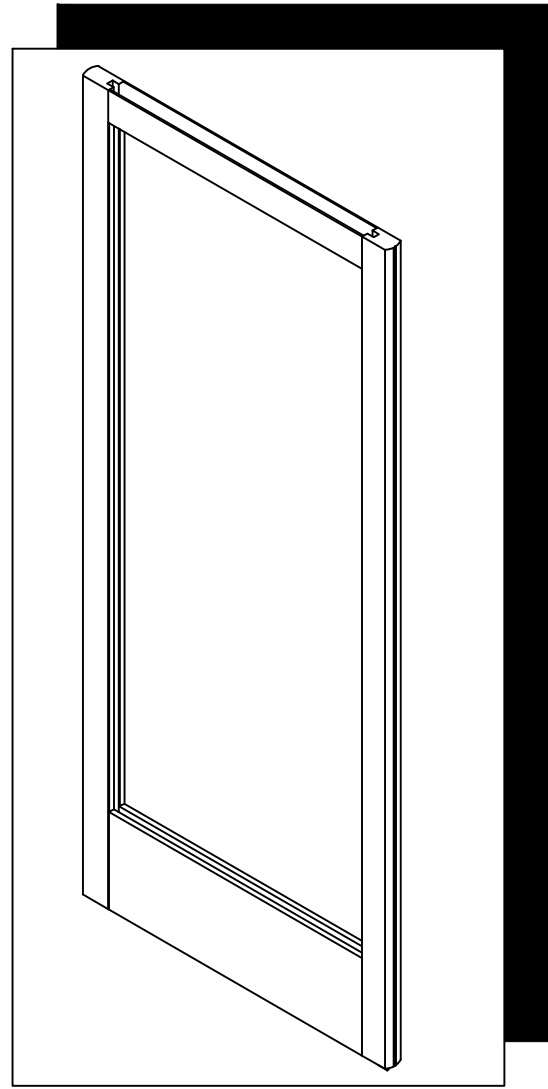


ripped for
1/2" I.G.



3" NARROW STILE BEVELED / RADIUS

PRL GLASS SYSTEMS
INC.

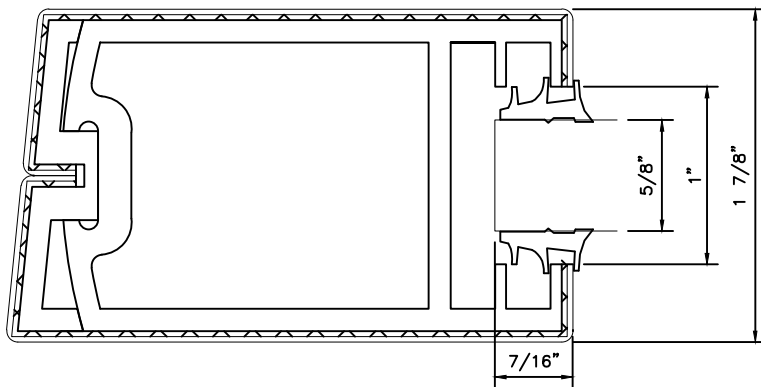
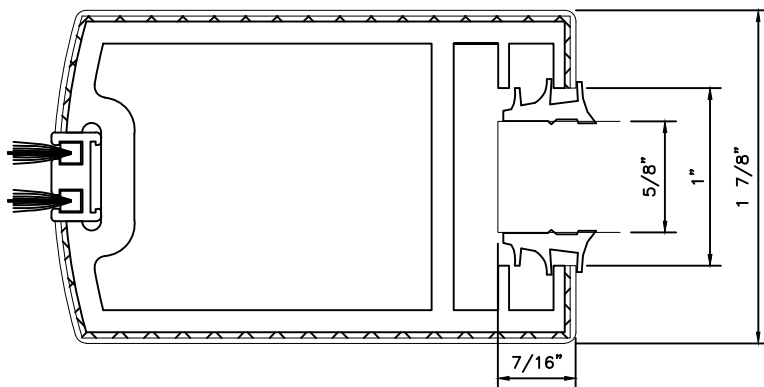
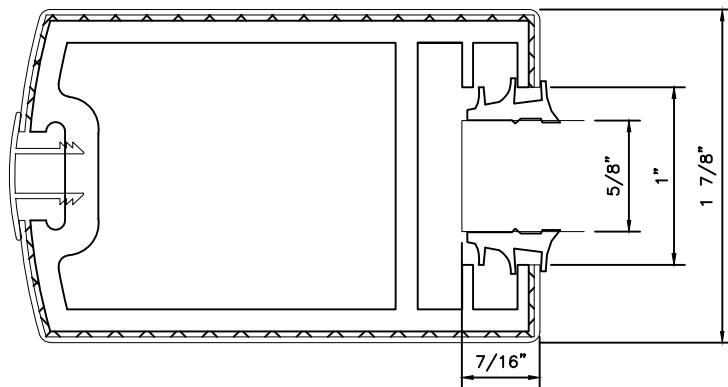


3" NARROW STILE
BEVELED / RADIUS

PRL GLASS
SYSTEMS
INC.

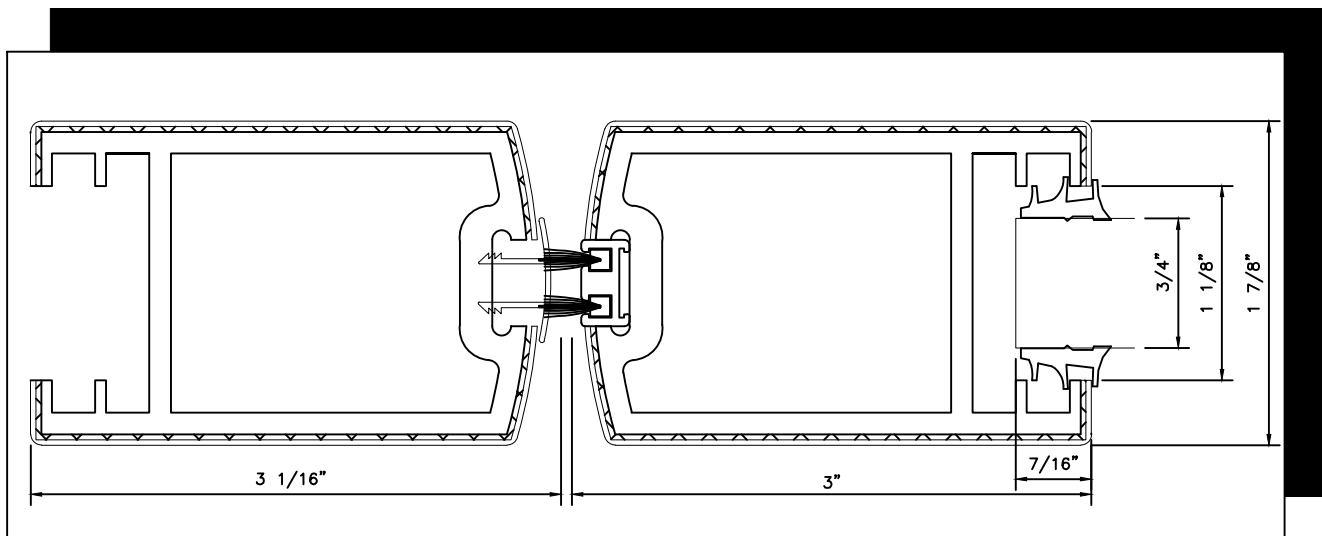
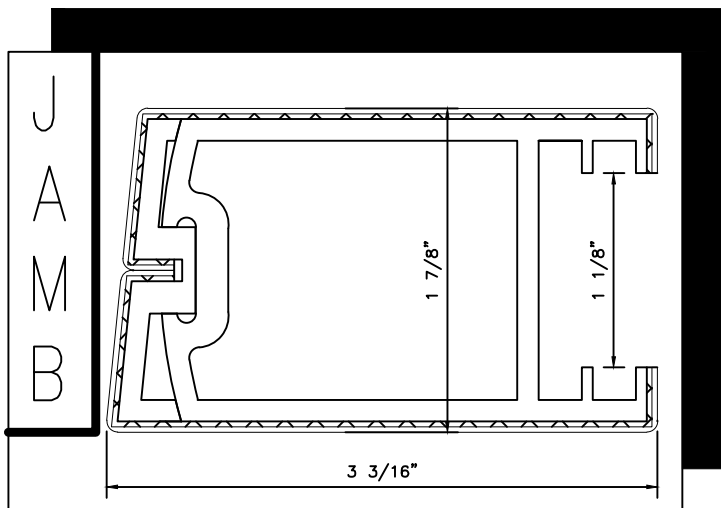
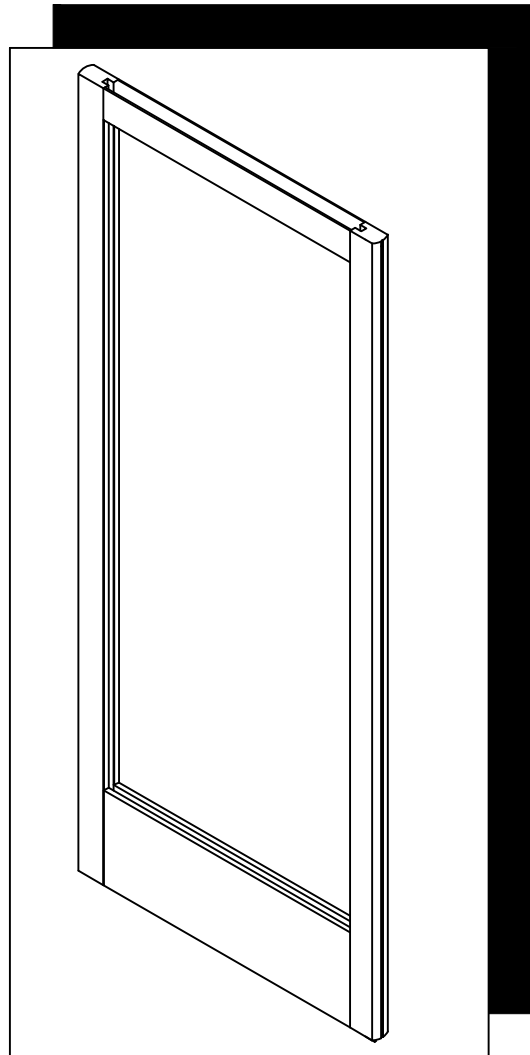
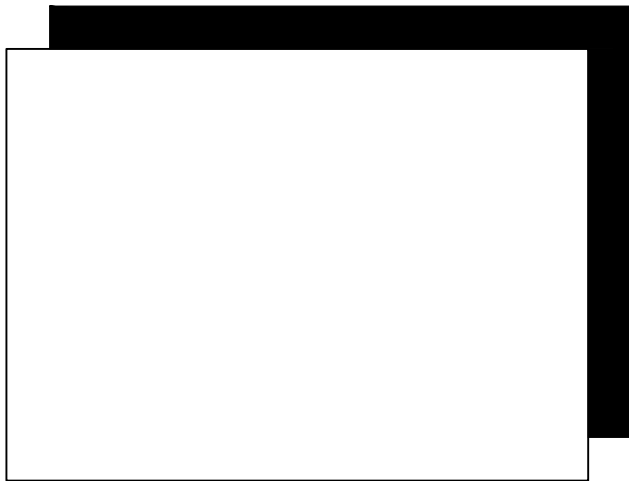


ripped for
5/8" I.G.



3" NARROW STILE BEVELED / RADIUS

PRL GLASS SYSTEMS
INC.

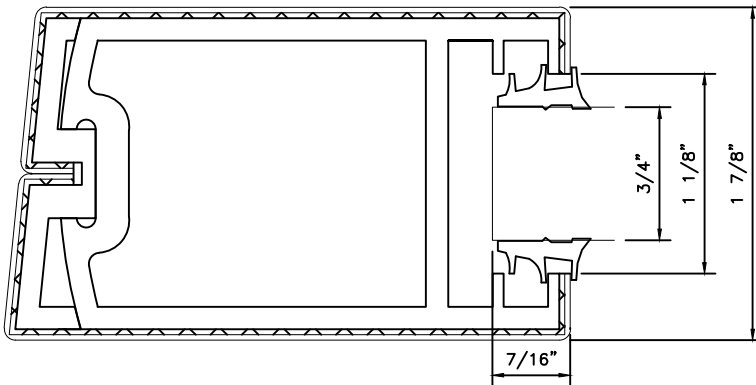
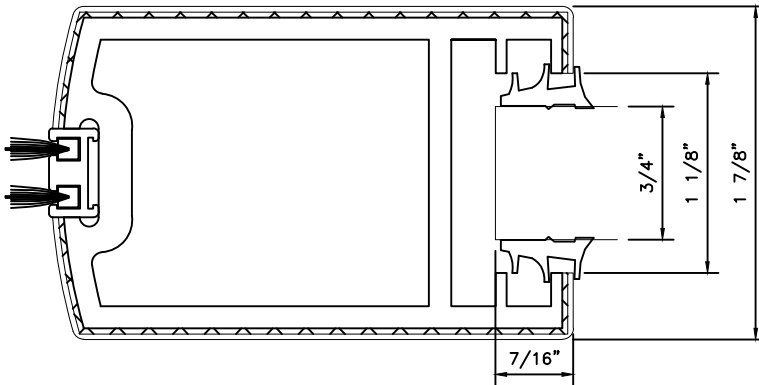
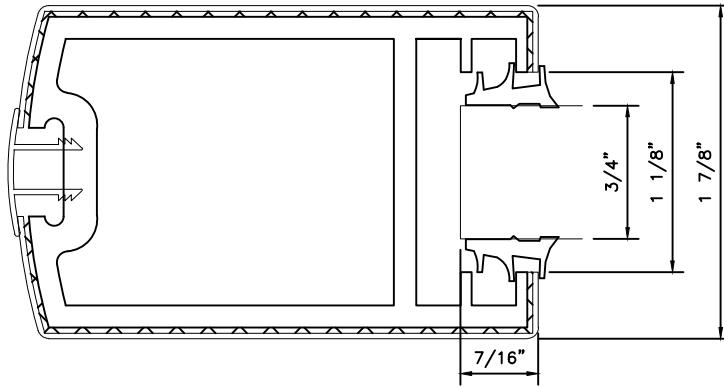


3" NARROW STILE
BEVELED / RADIUS

PRL GLASS
SYSTEMS
INC.

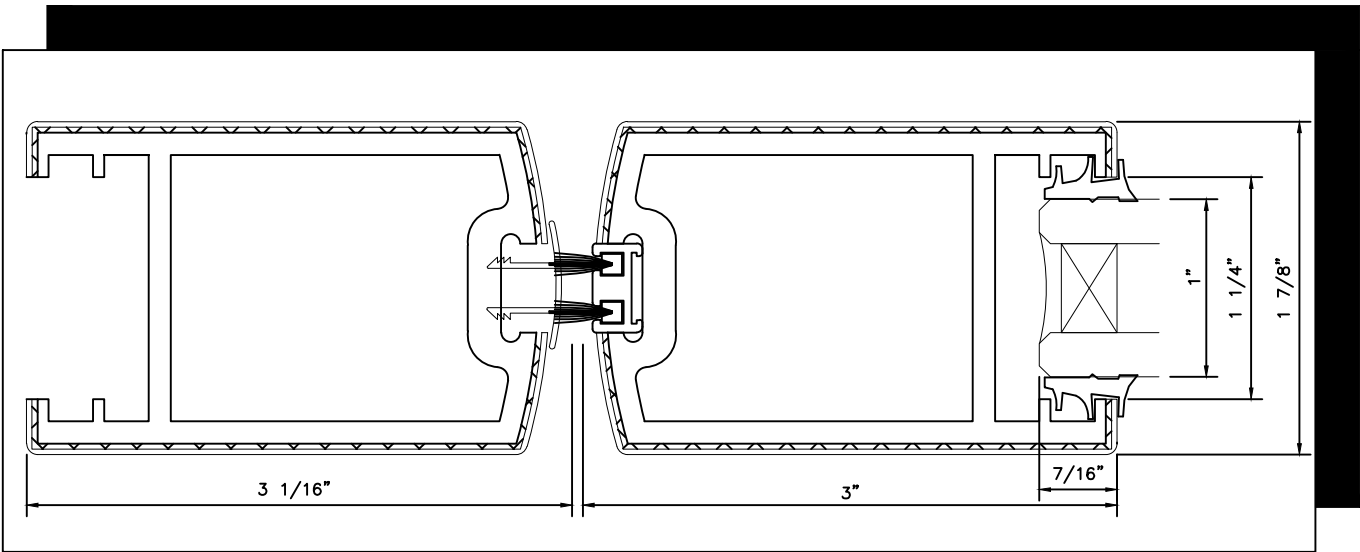
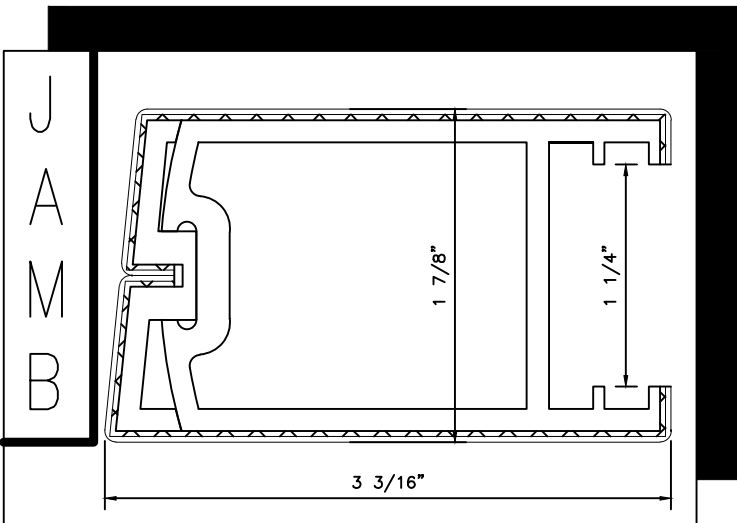
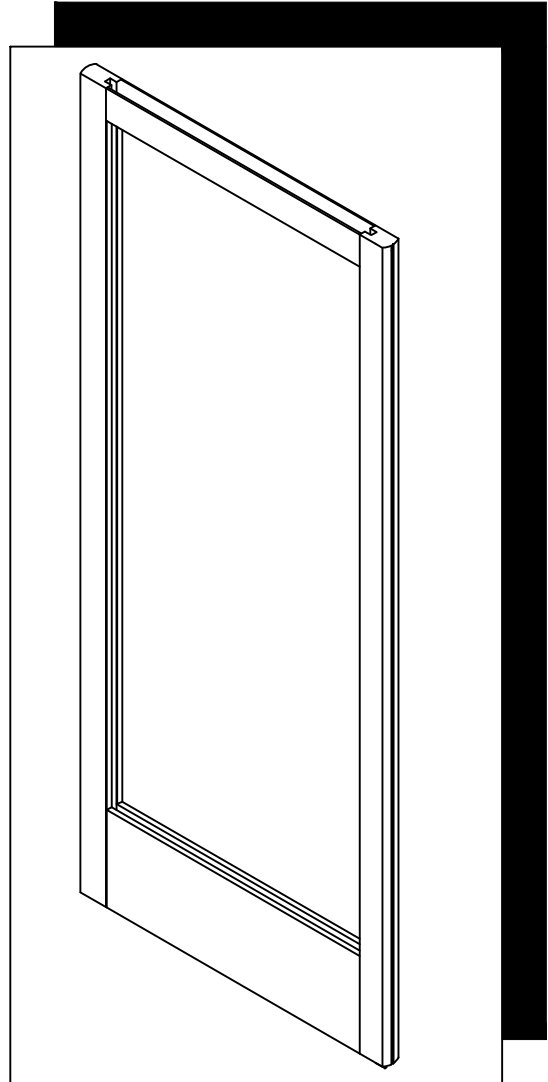


ripped for
3/4" I.G.



3" NARROW STILE BEVELED / RADIUS

PRL GLASS SYSTEMS
INC.

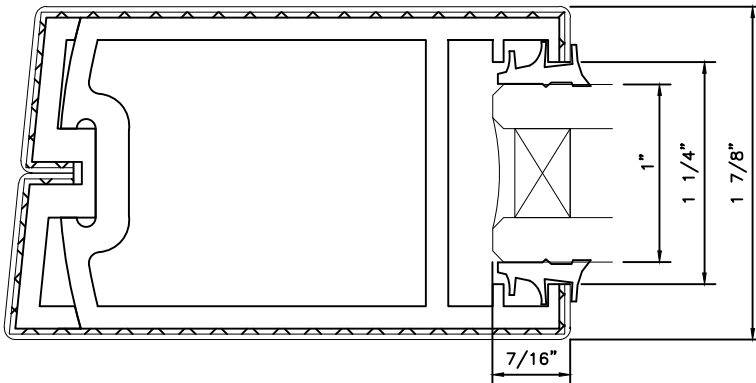
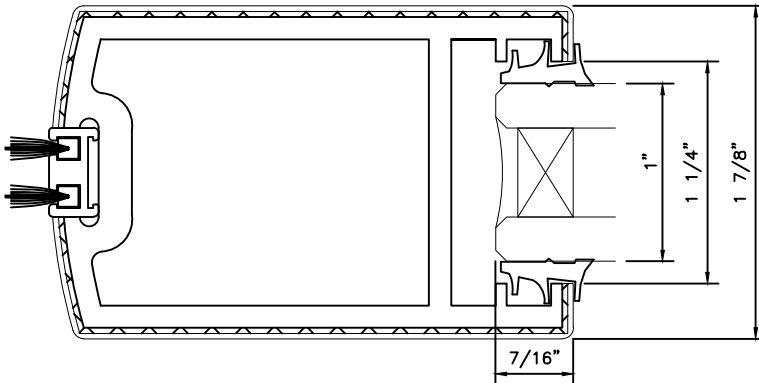
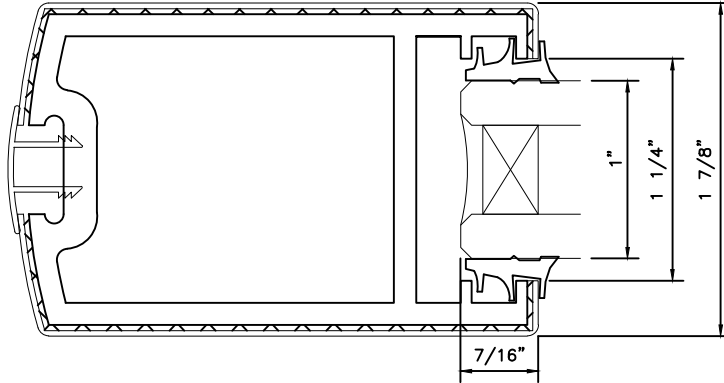


3" NARROW STILE
BEVELED / RADIUS

PRL GLASS
SYSTEMS
INC.

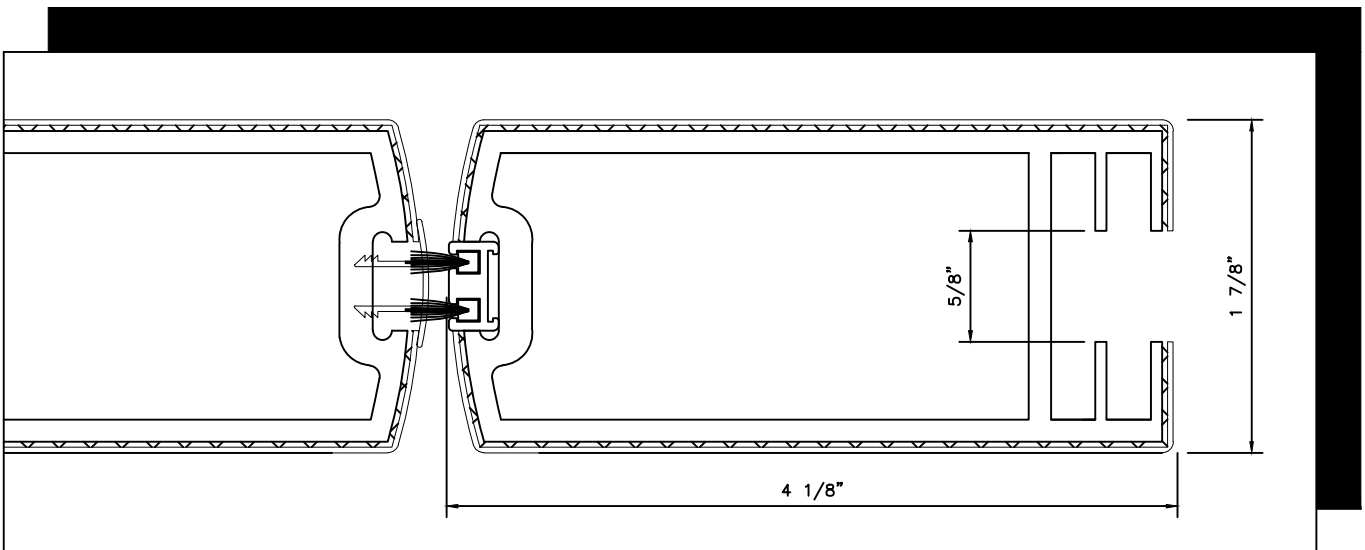
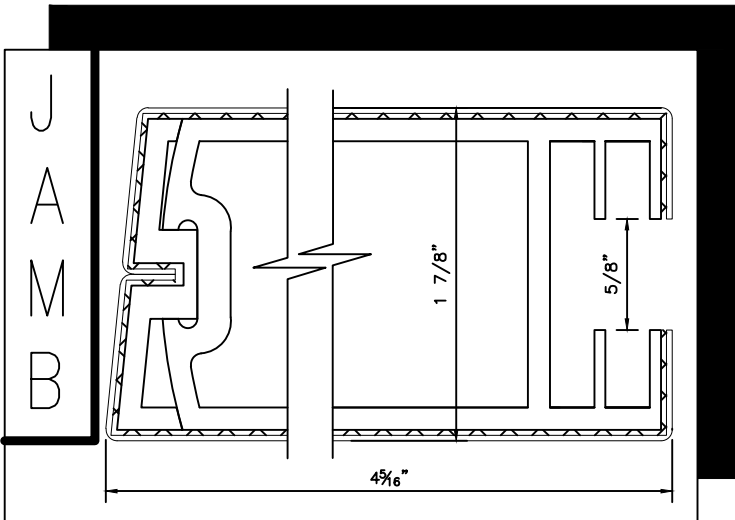
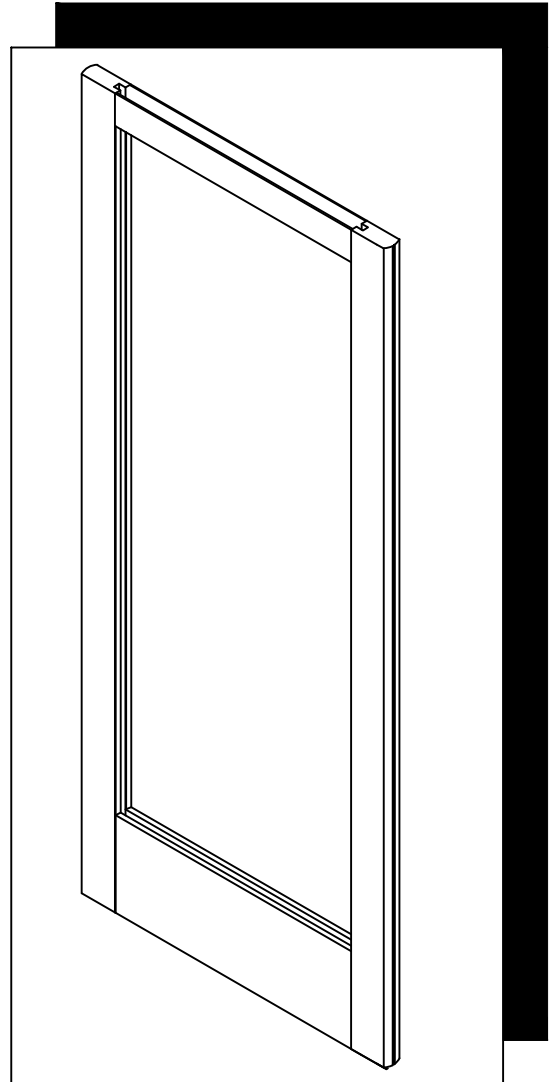


ripped for
1" I.G.



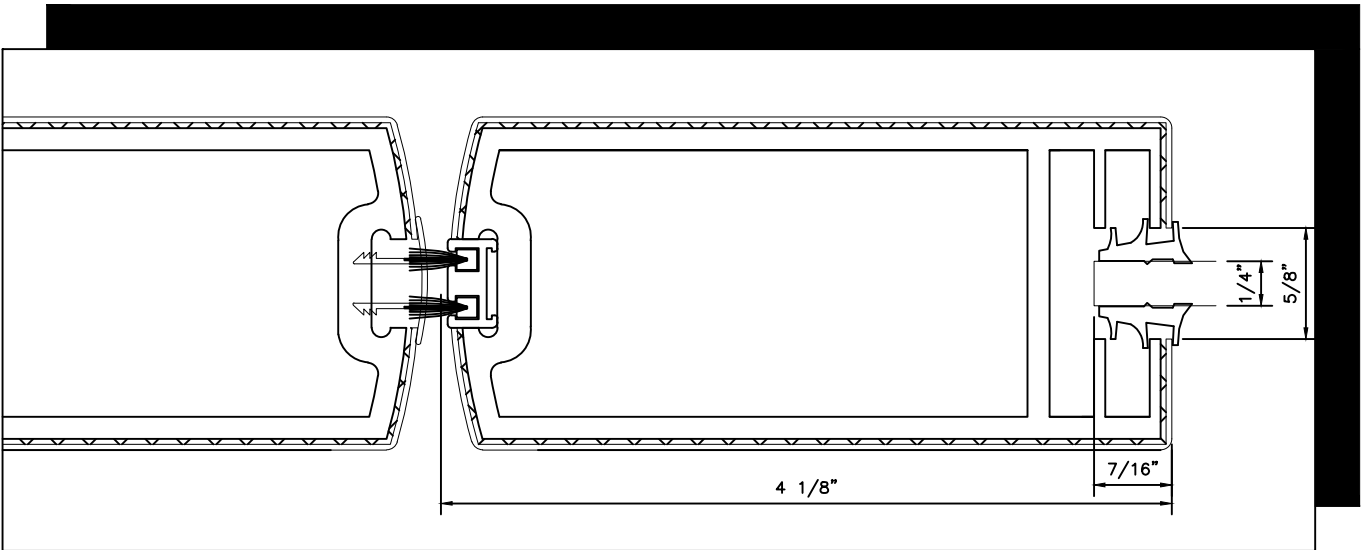
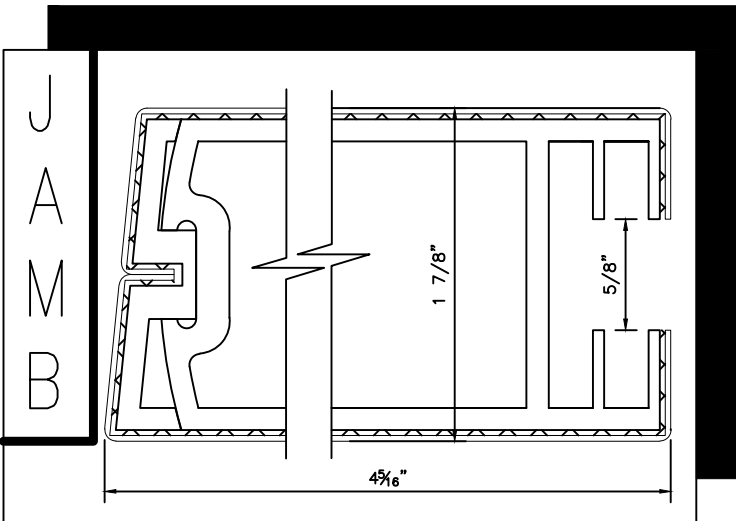
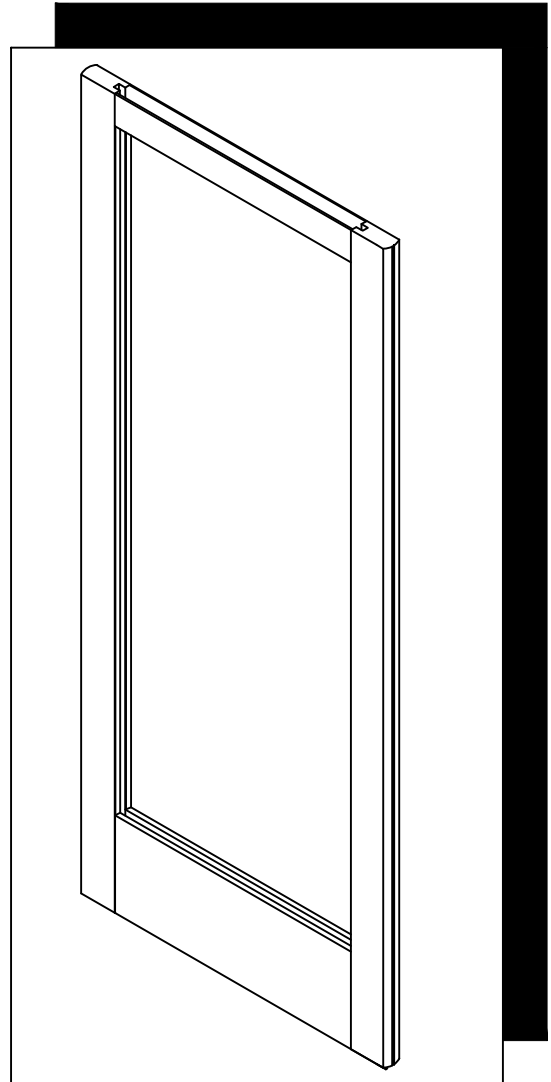
4" MEDIUM STILE BEVELED / RADIUS

PRL GLASS SYSTEMS
INC.



4" MEDIUM STILE BEVELED / RADIUS

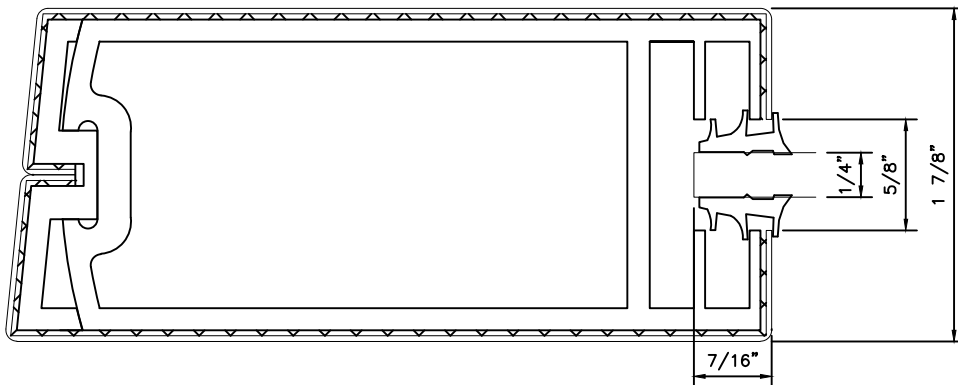
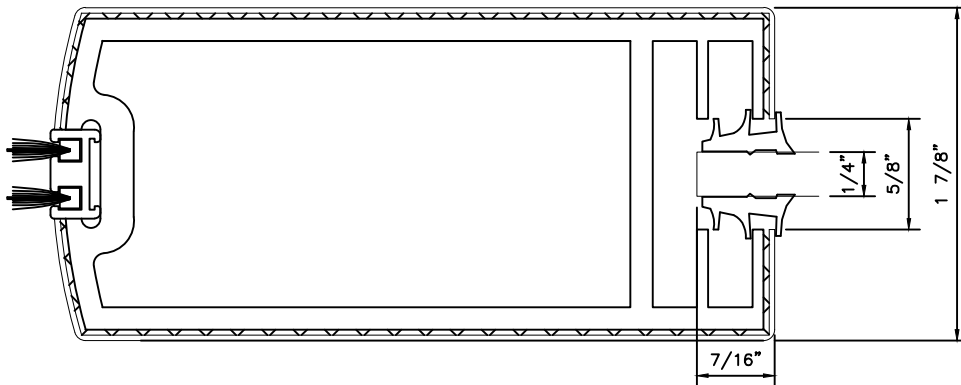
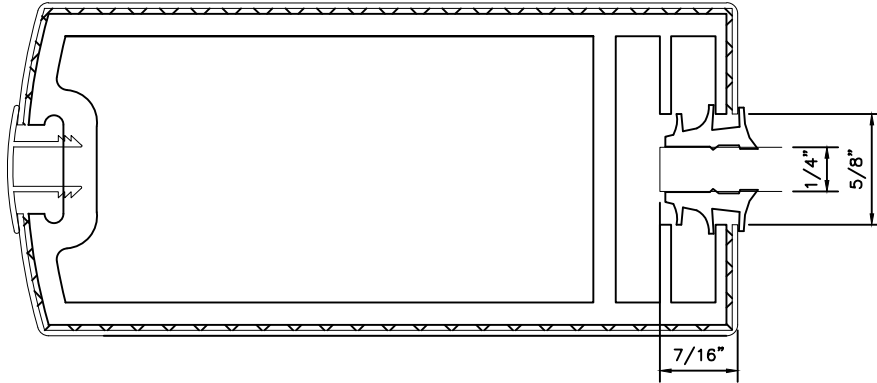
PRL GLASS SYSTEMS
INC.



4" MEDIUM STILE
BEVELED / RADIUS

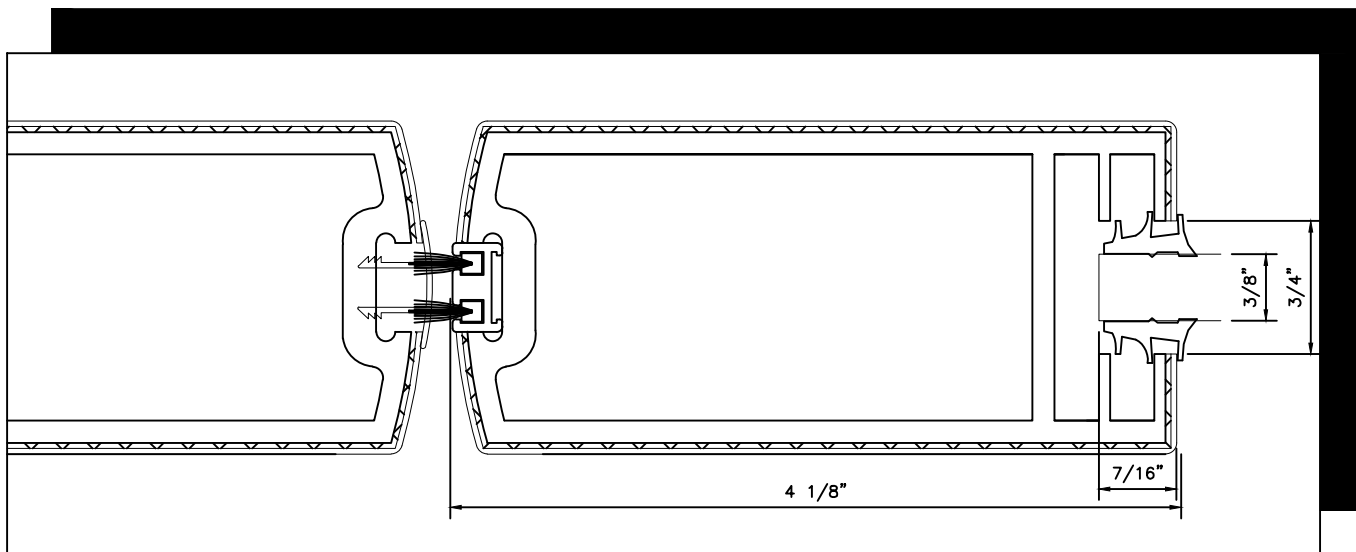
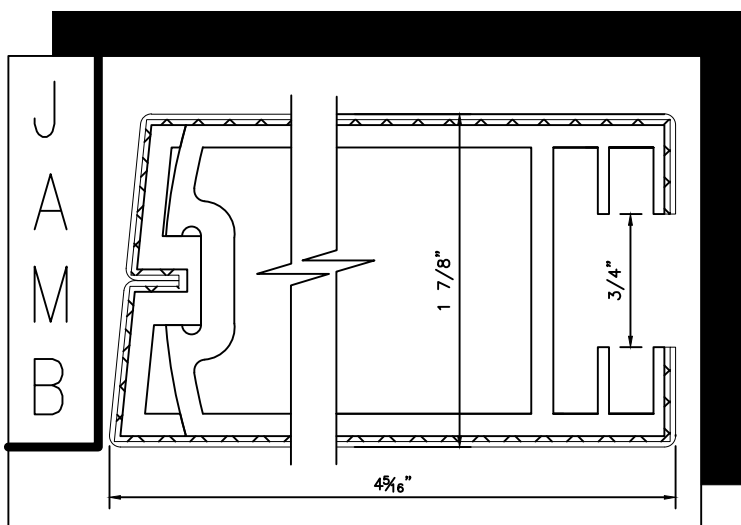
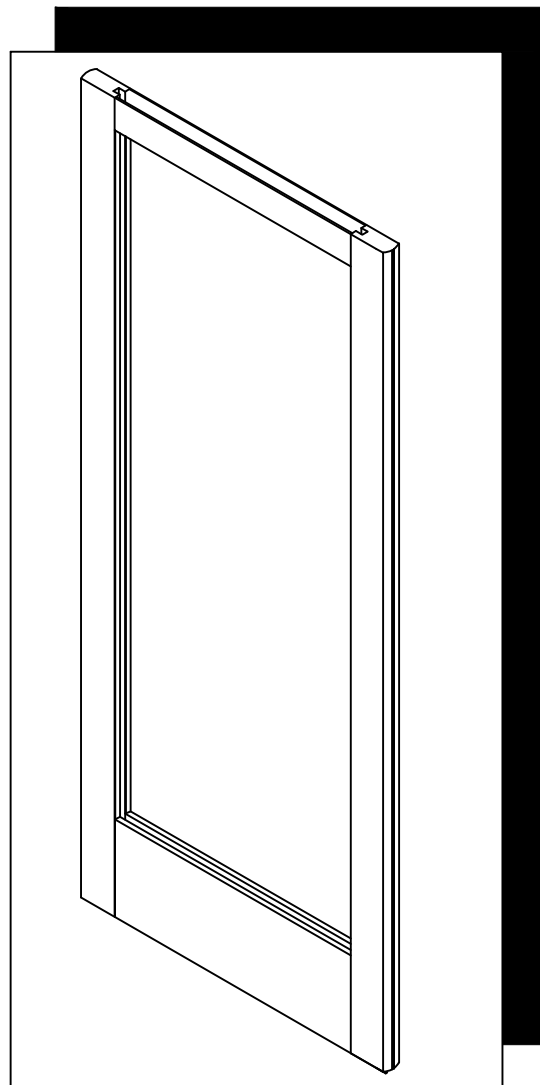


ripped for
1/4" I.G.



4" MEDIUM STILE BEVELED / RADIUS

PRL GLASS
SYSTEMS
INC.

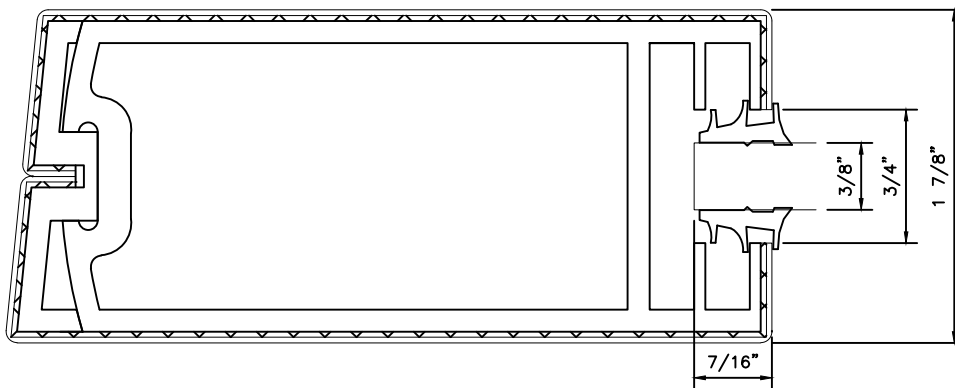
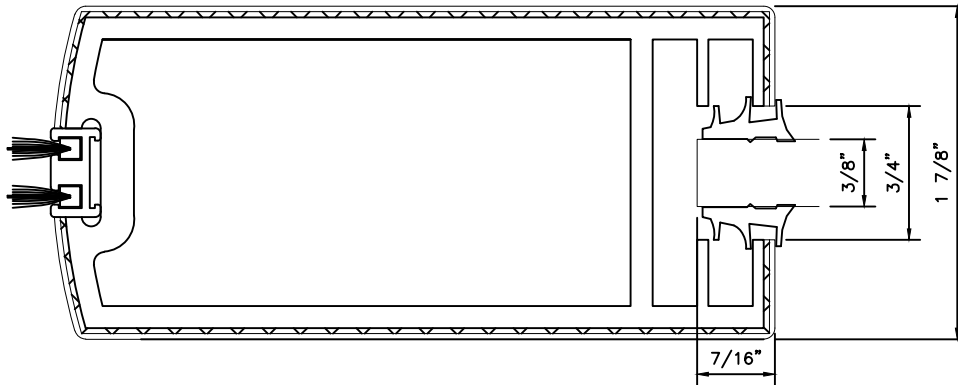
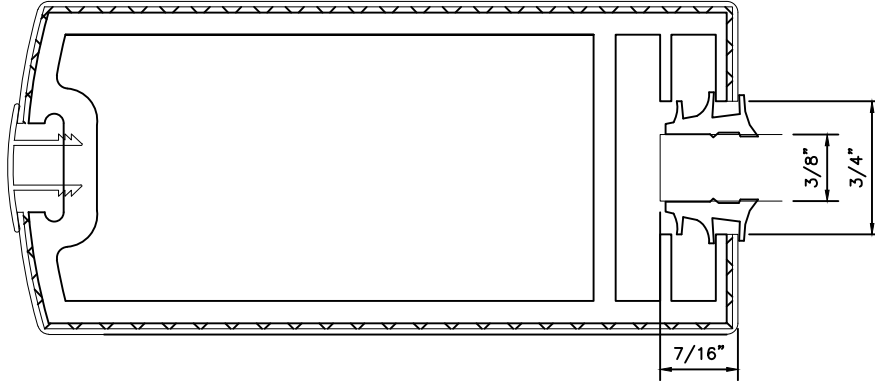


4" MEDIUM STILE
BEVELED / RADIUS

PRL GLASS
SYSTEMS
INC.

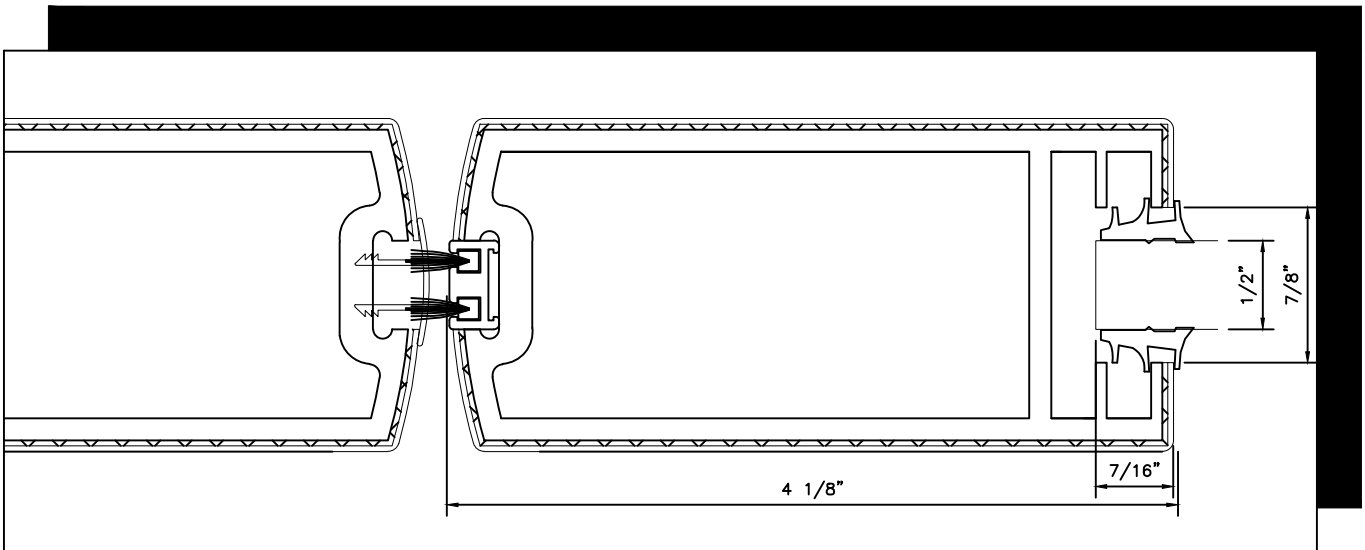
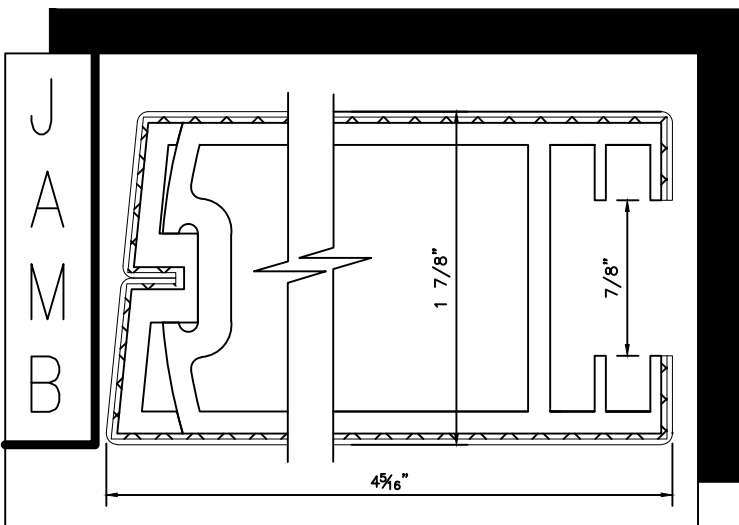
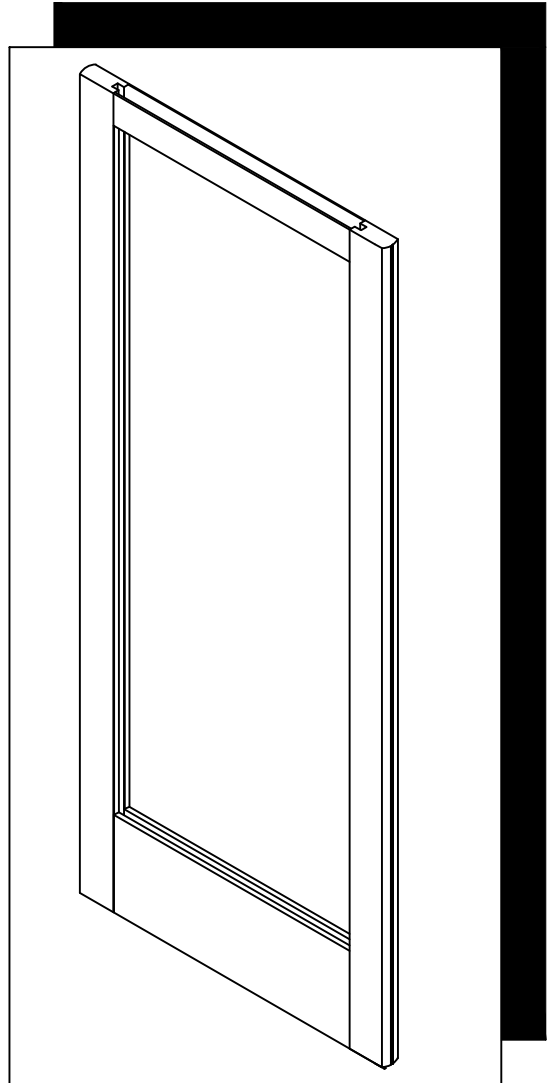


ripped for
3/8" I.G.



4" MEDIUM STILE BEVELED / RADIUS

PRL GLASS SYSTEMS
INC.

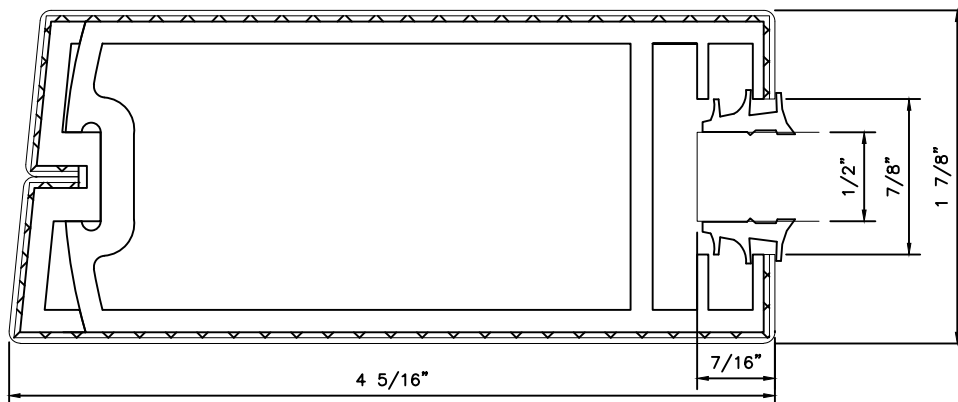
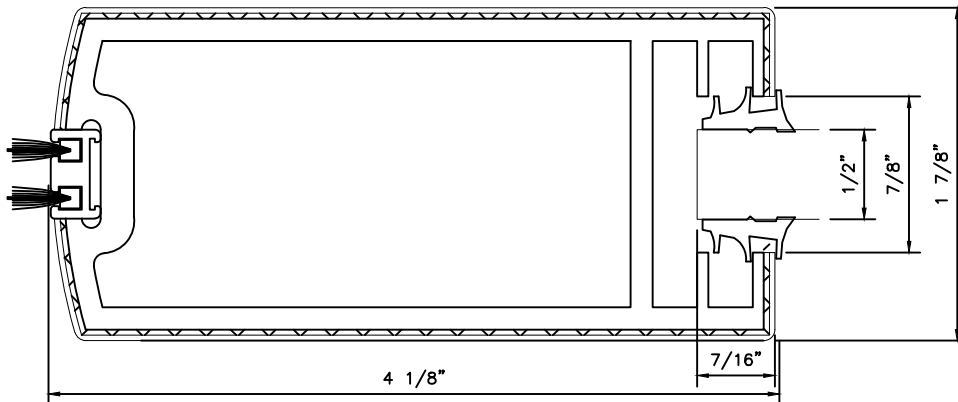
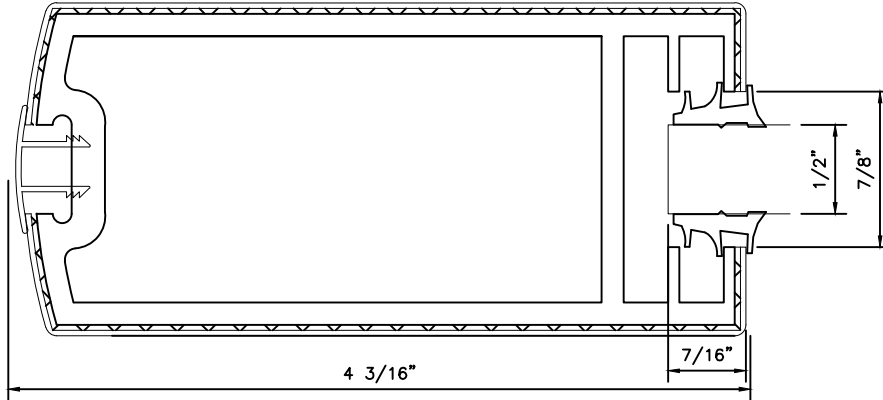


4" MEDIUM STILE
BEVELED / RADIUS

PRL GLASS
SYSTEMS
INC.

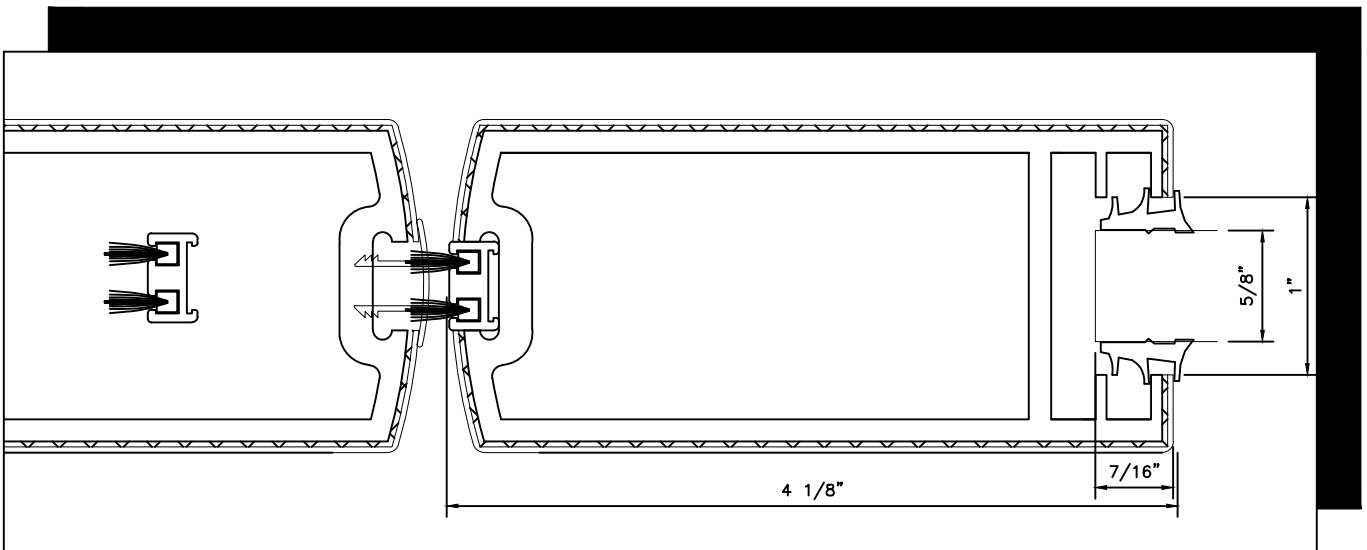
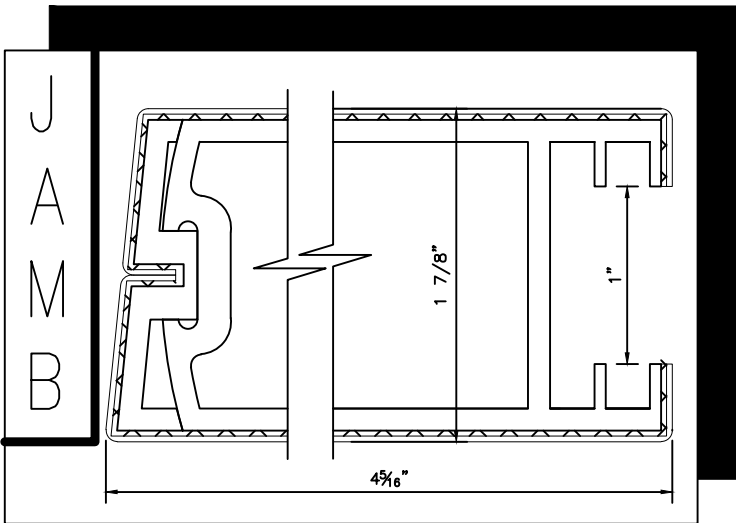
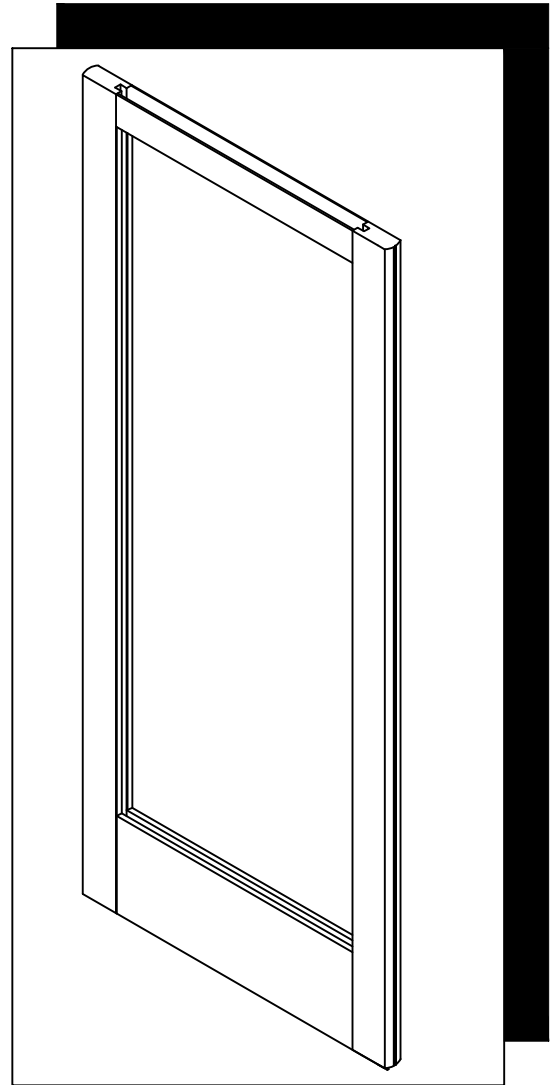


ripped for
1/2" I.G.



4" MEDIUM STILE BEVELED / RADIUS

PRL GLASS SYSTEMS
INC.

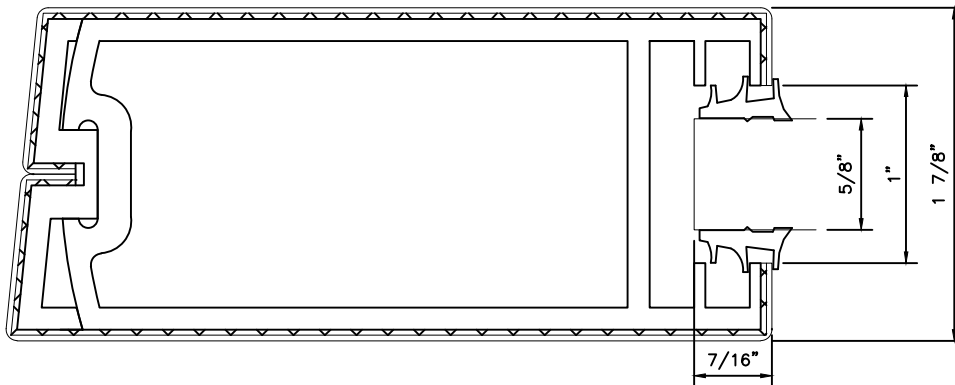
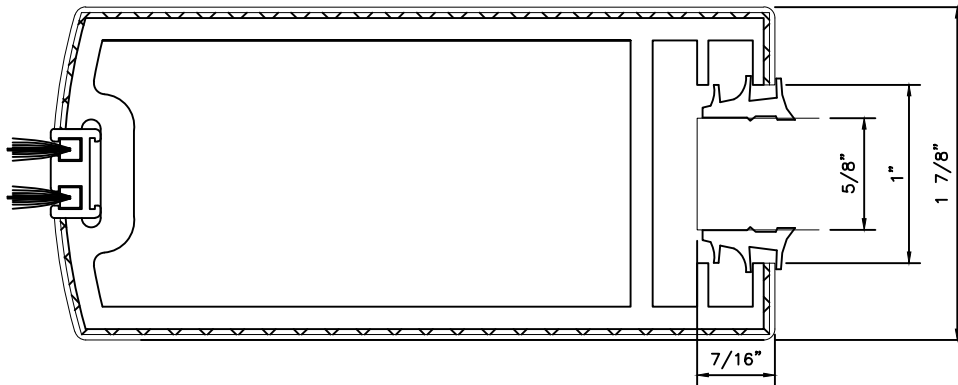
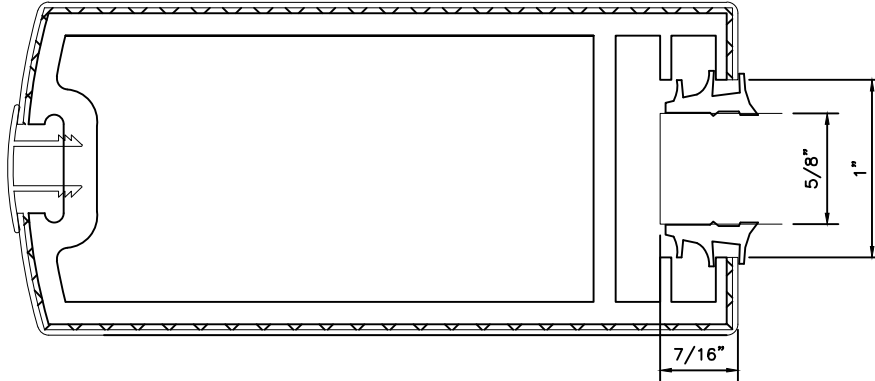


4" MEDIUM STILE
BEVELED / RADIUS

PRL GLASS
SYSTEMS
INC.

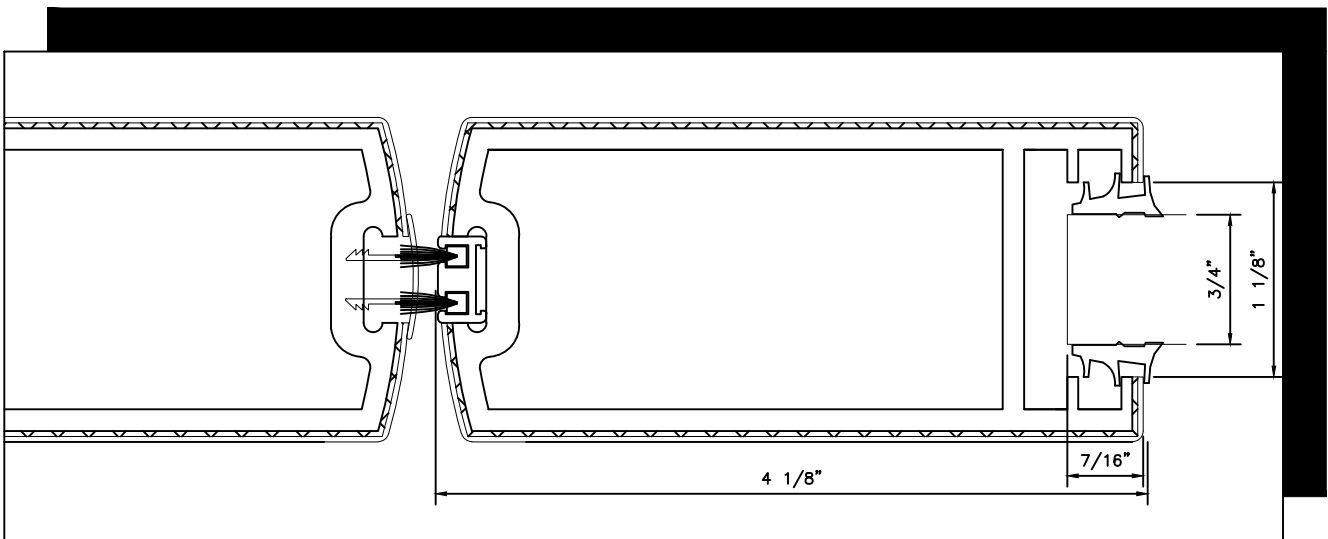
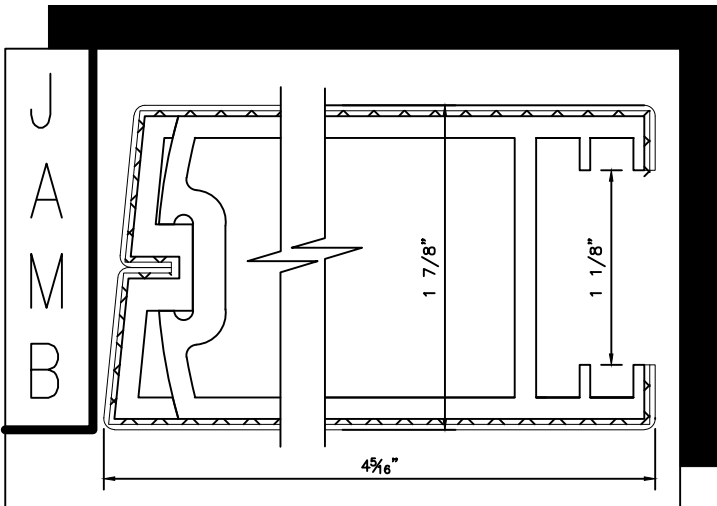
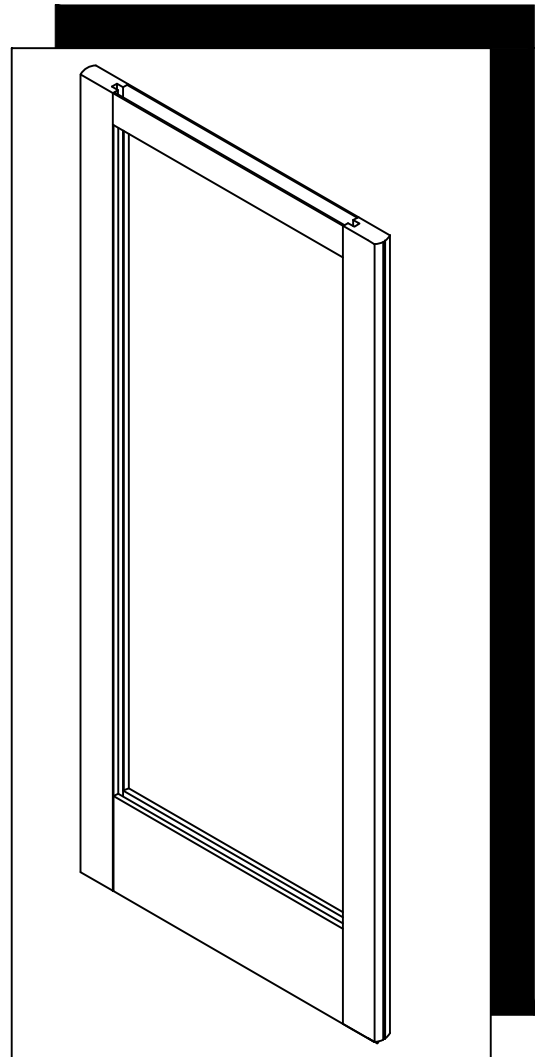


ripped for
5/8" I.G.



4" MEDIUM STILE BEVELED / RADIUS

PRL GLASS SYSTEMS
INC.

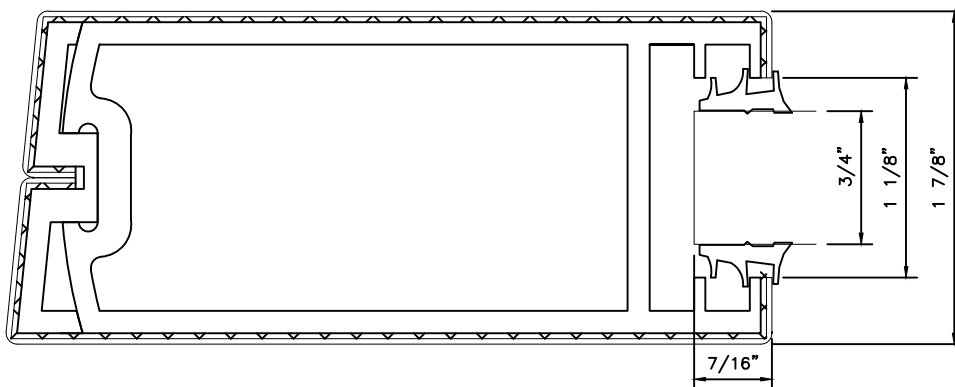
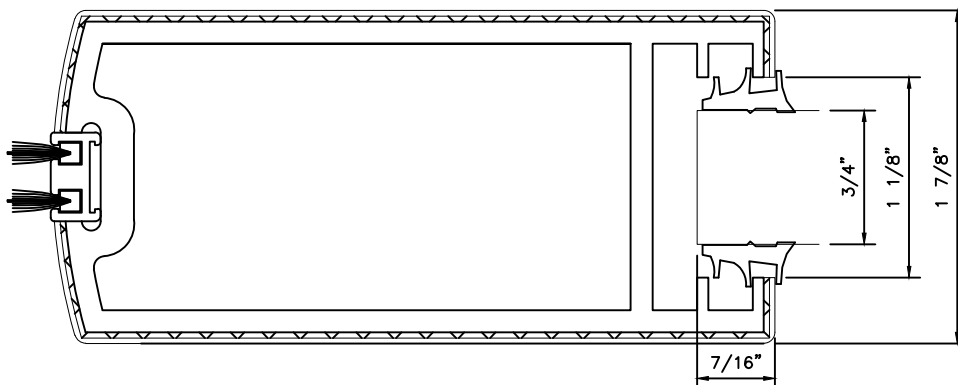
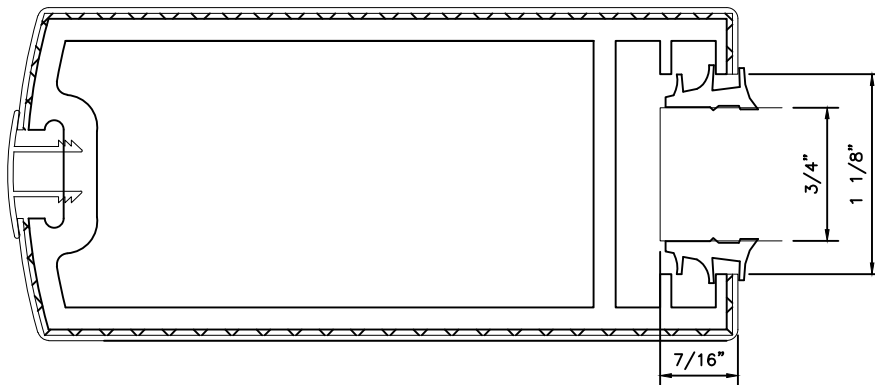


4" MEDIUM STILE
BEVELED / RADIUS

PRL GLASS
SYSTEMS
INC.

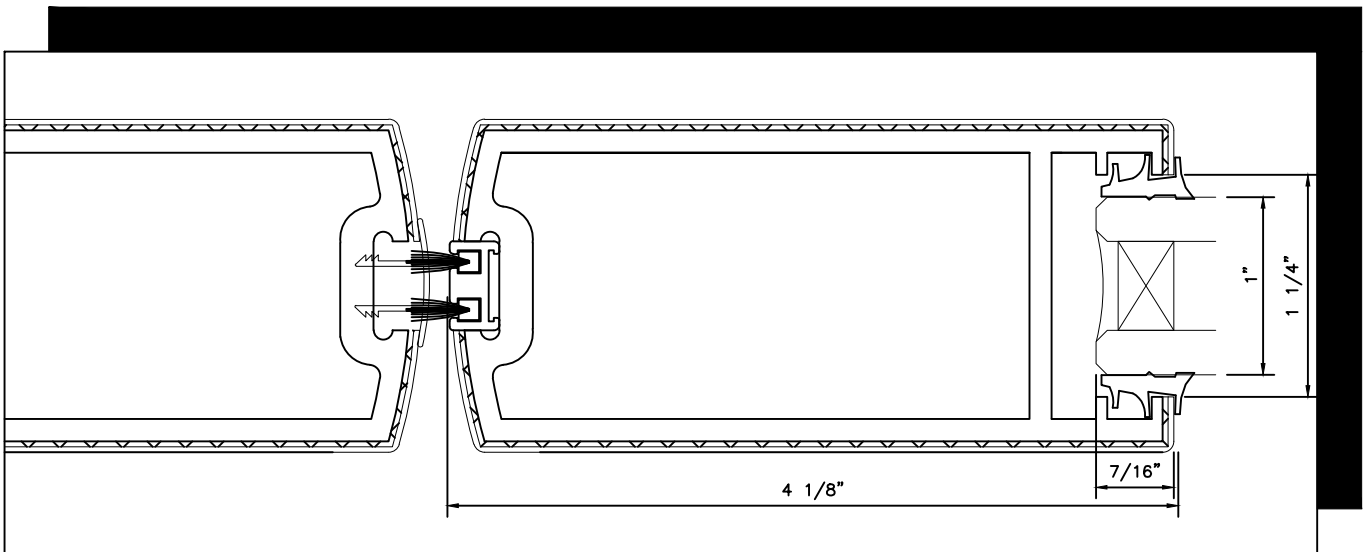
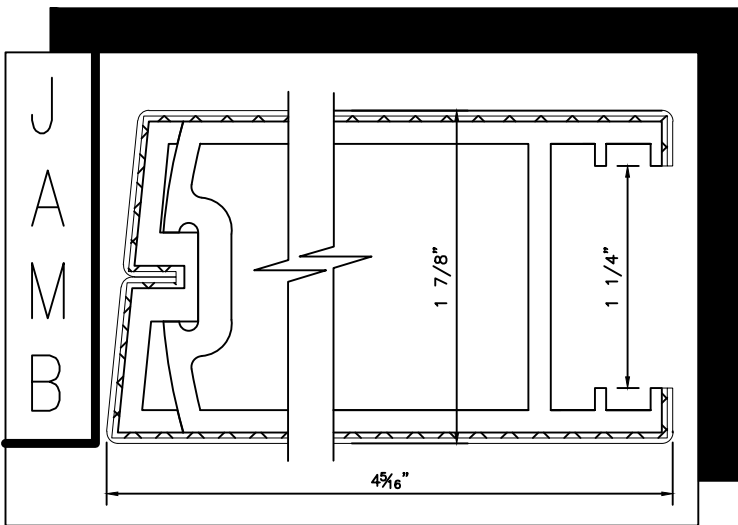
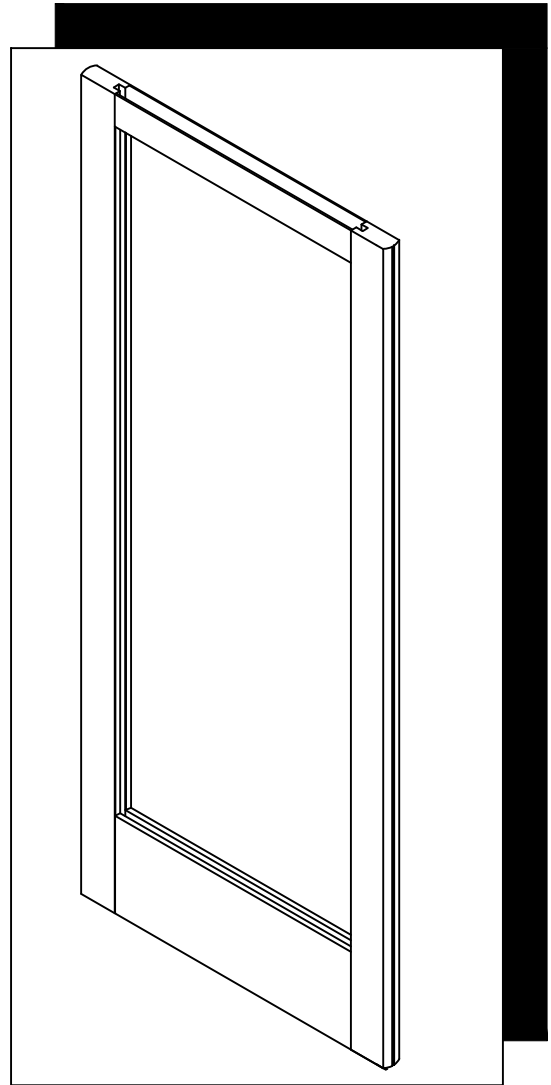


ripped for
3/4" I.G.



4" MEDIUM STILE BEVELED / RADIUS

PRL GLASS SYSTEMS
INC.

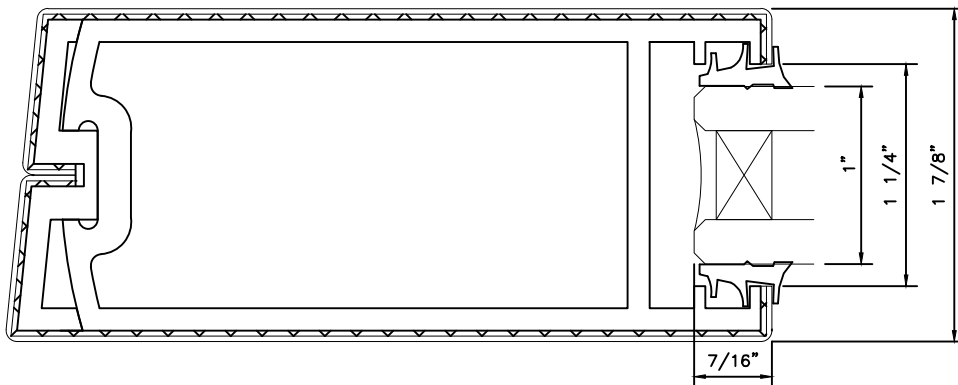
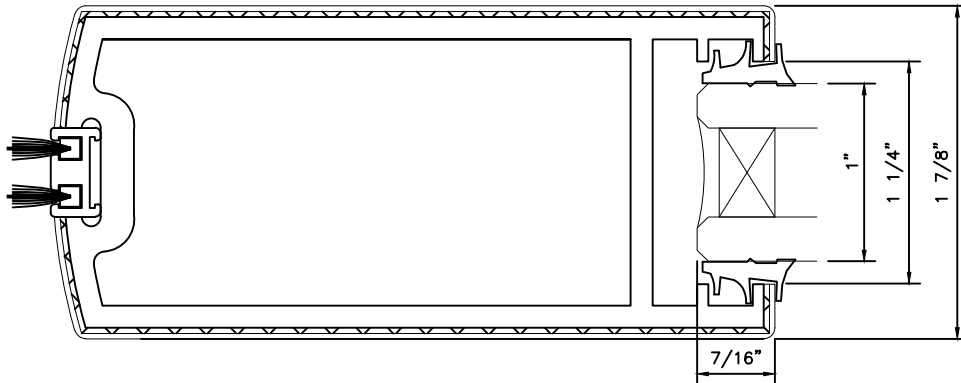
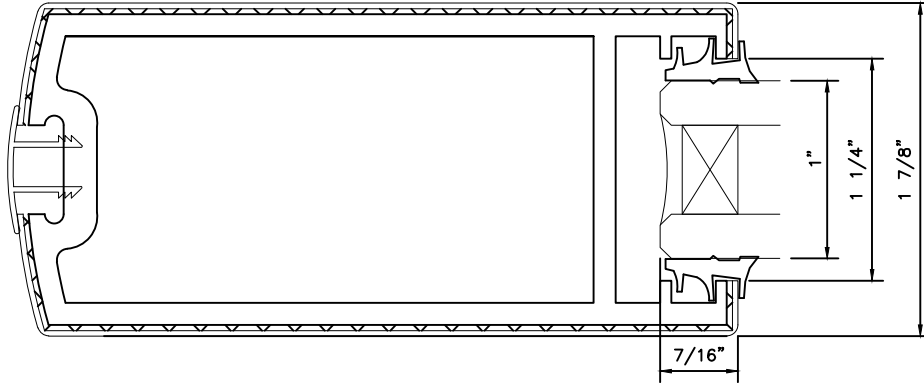


4" MEDIUM STILE
BEVELED / RADIUS

PRL GLASS
SYSTEMS
INC.

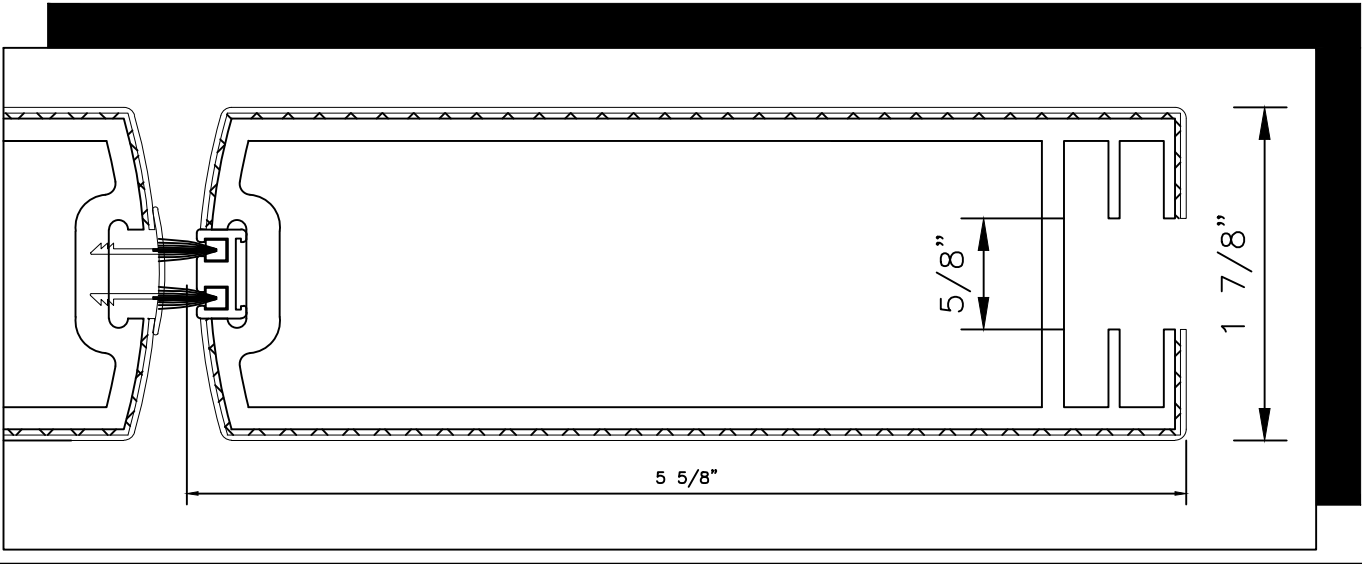
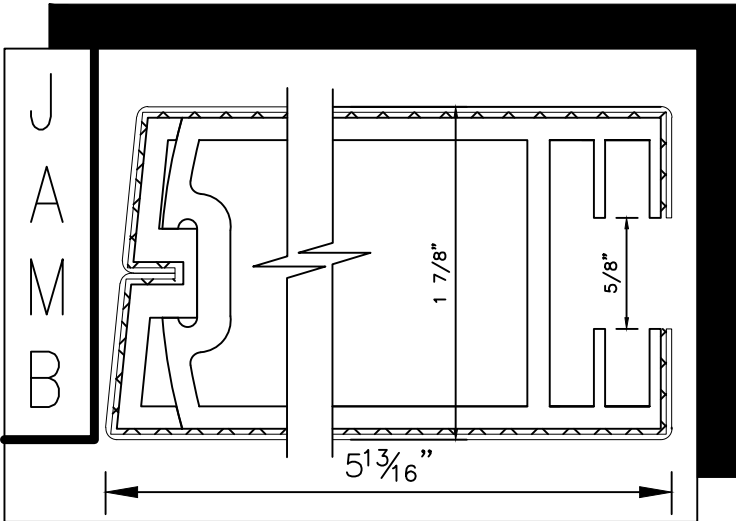
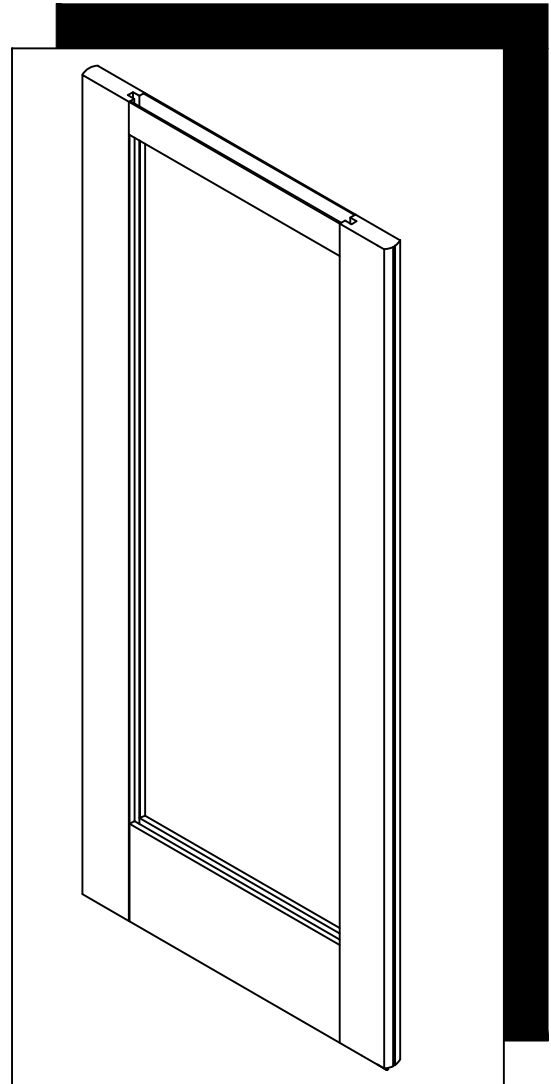


ripped for
1" I.G.



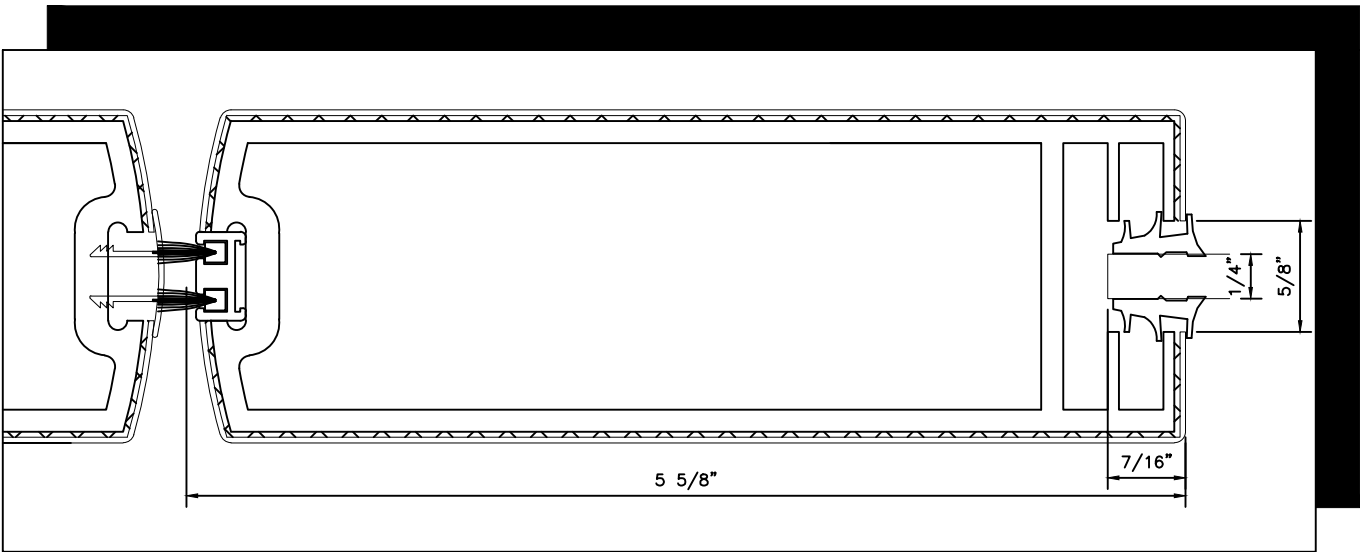
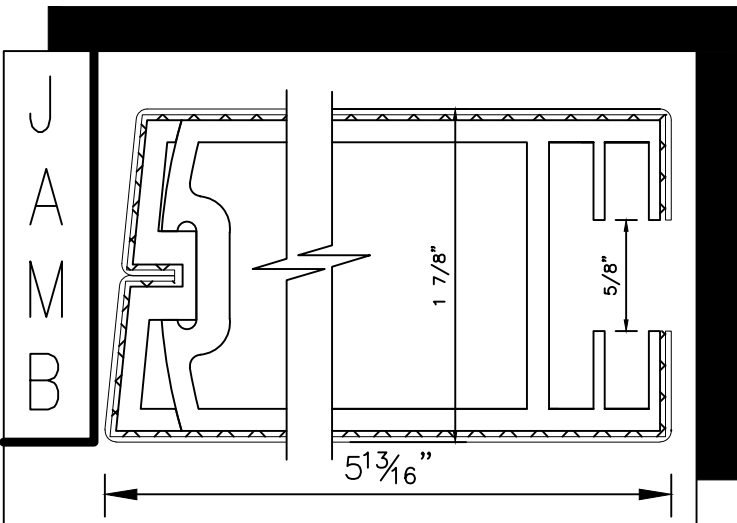
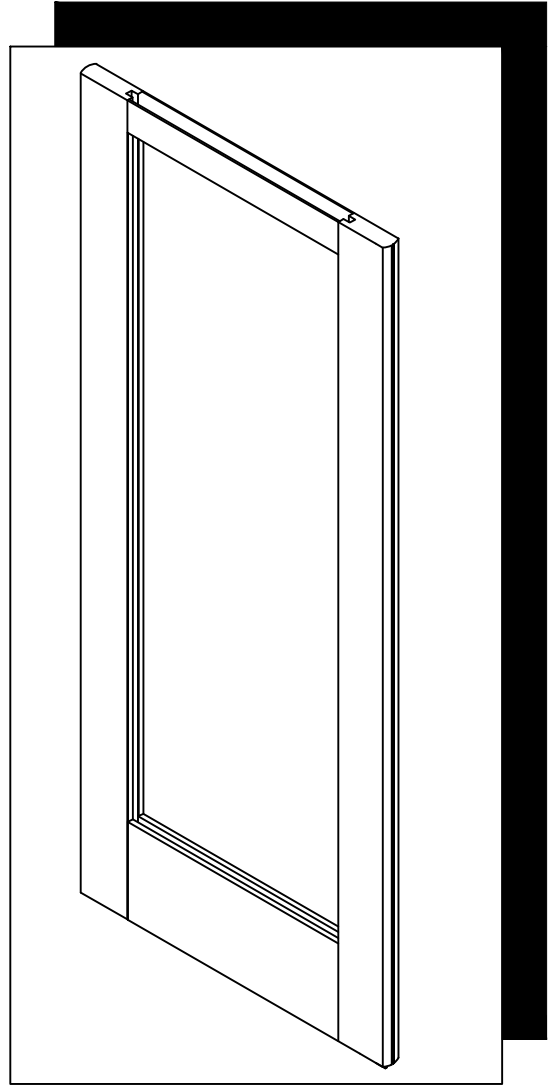
5" WIDE STILE BEVELED / RADIUS

PRL GLASS SYSTEMS
INC.



5" WIDE STILE
BEVELED / RADIUS

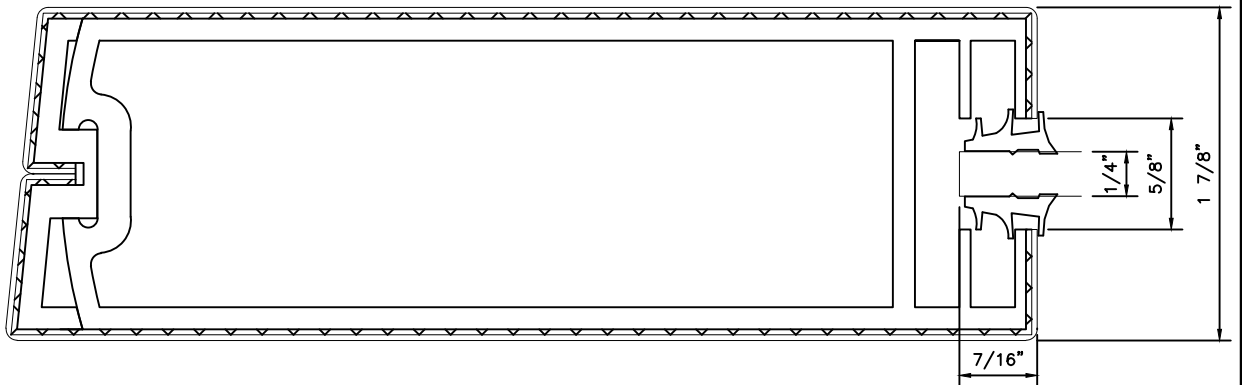
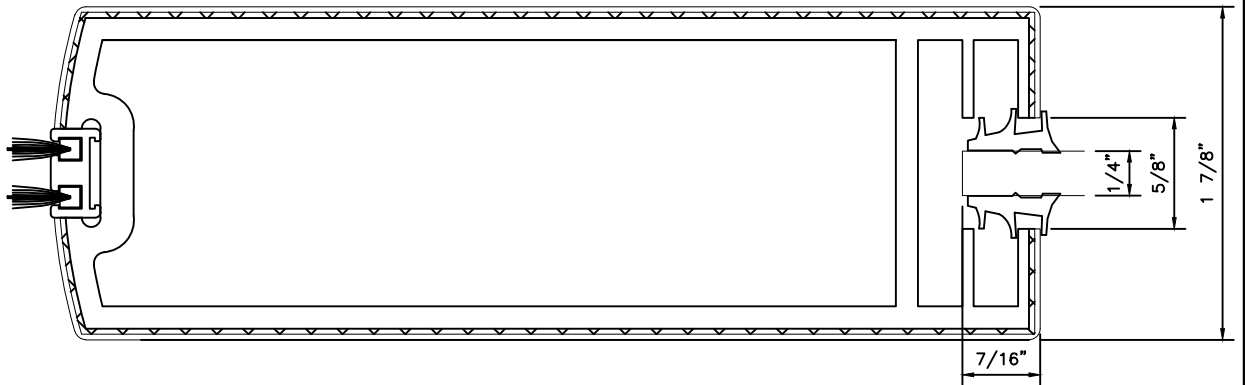
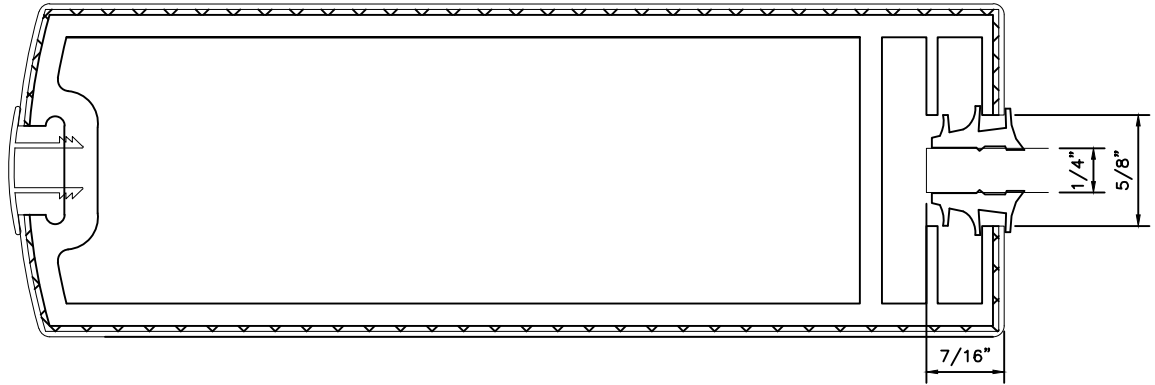
PRL GLASS SYSTEMS
INC.



5" WIDE STILE
BEVELED / RADIUS

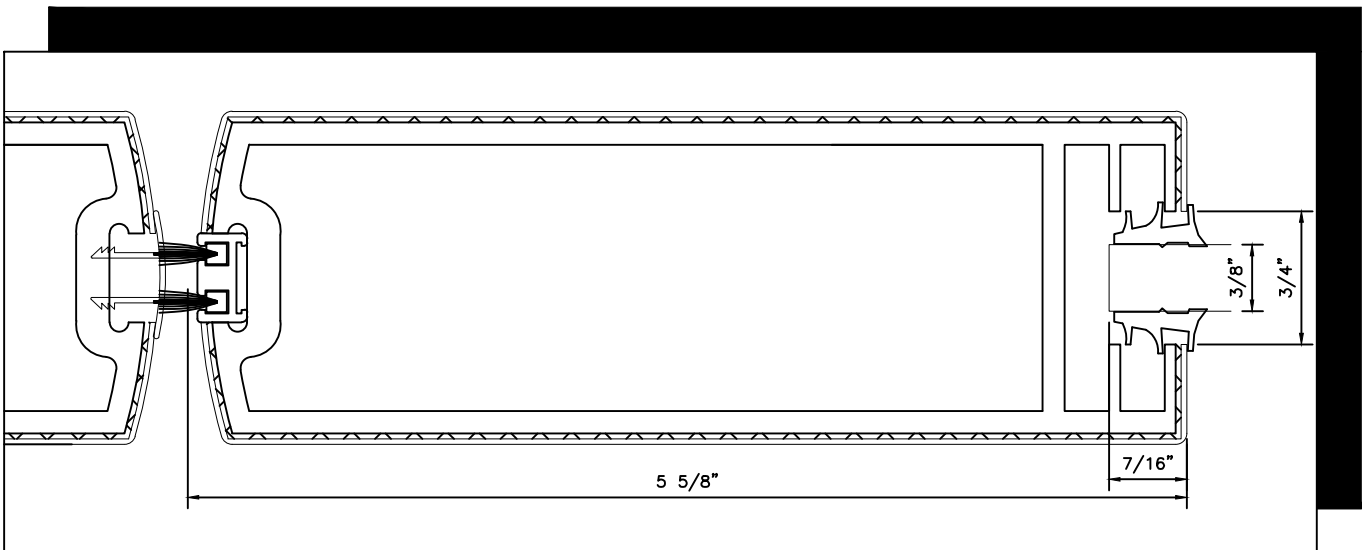
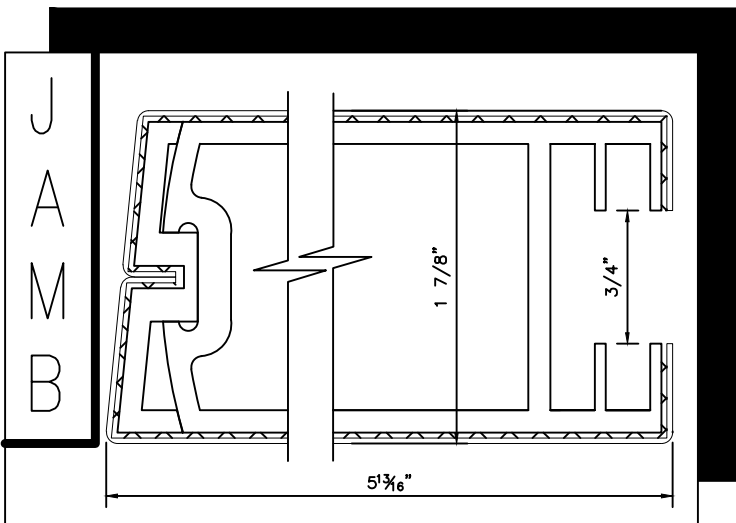
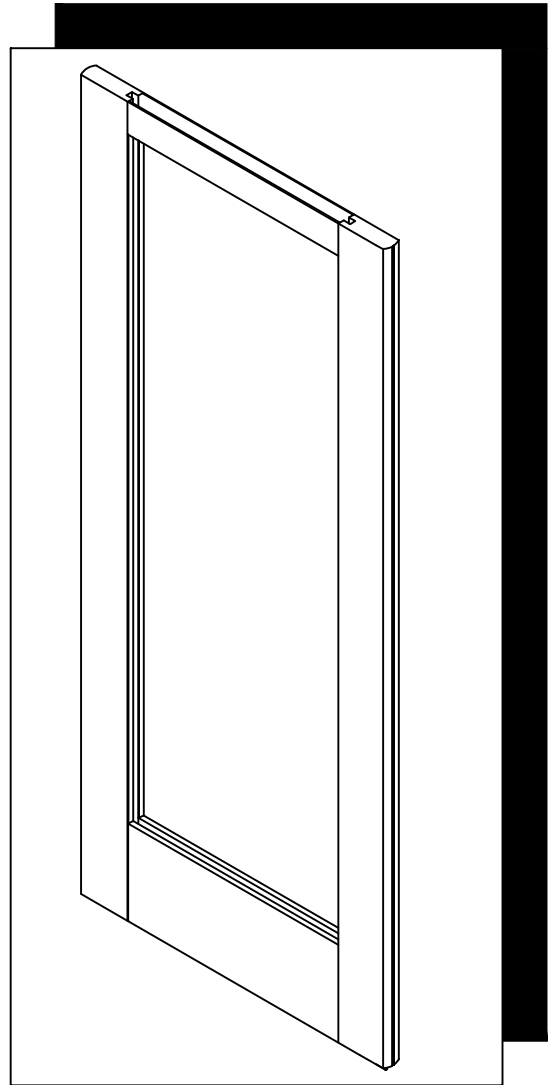


ripped for
1/4" I.G.



5" WIDE STILE BEVELED / RADIUS

PRL GLASS SYSTEMS
INC.

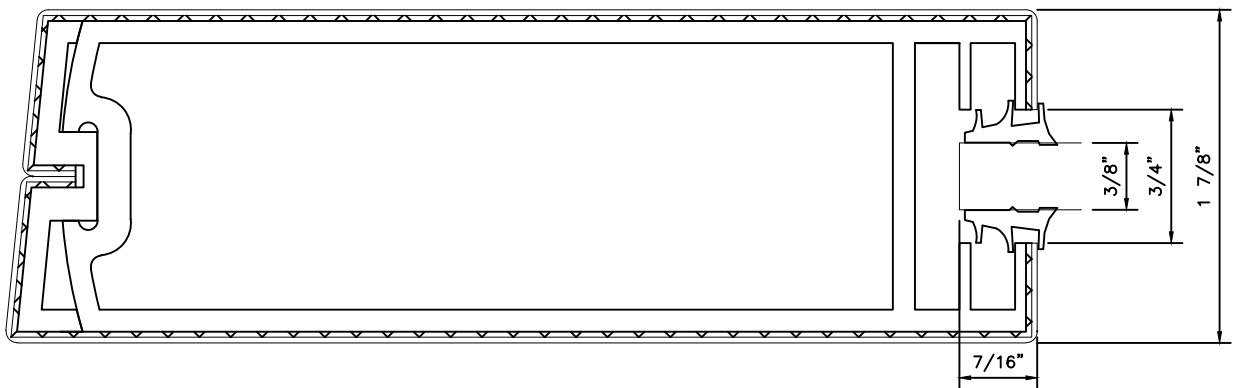
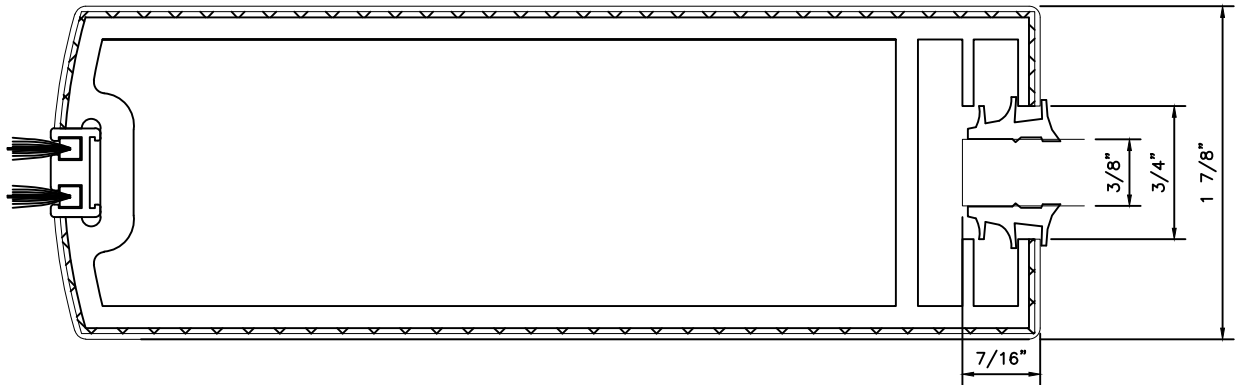
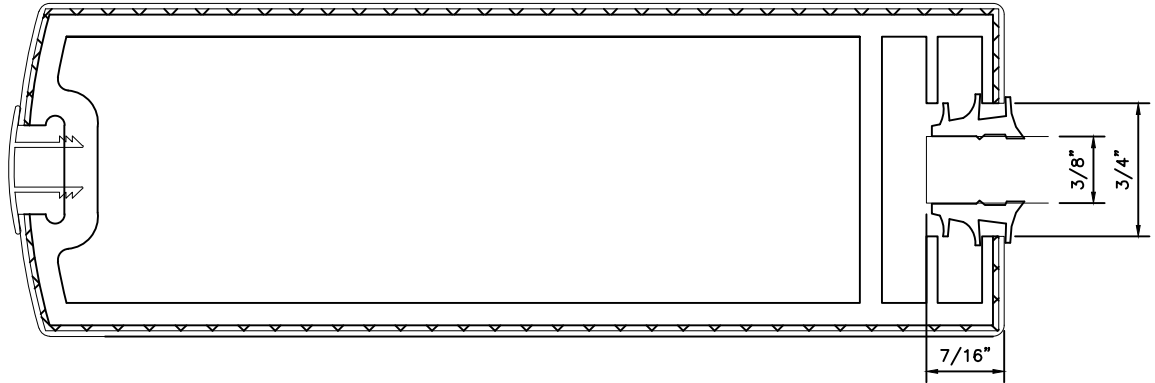


5" WIDE STILE
BEVELED / RADIUS

PRL GLASS
SYSTEMS
INC.

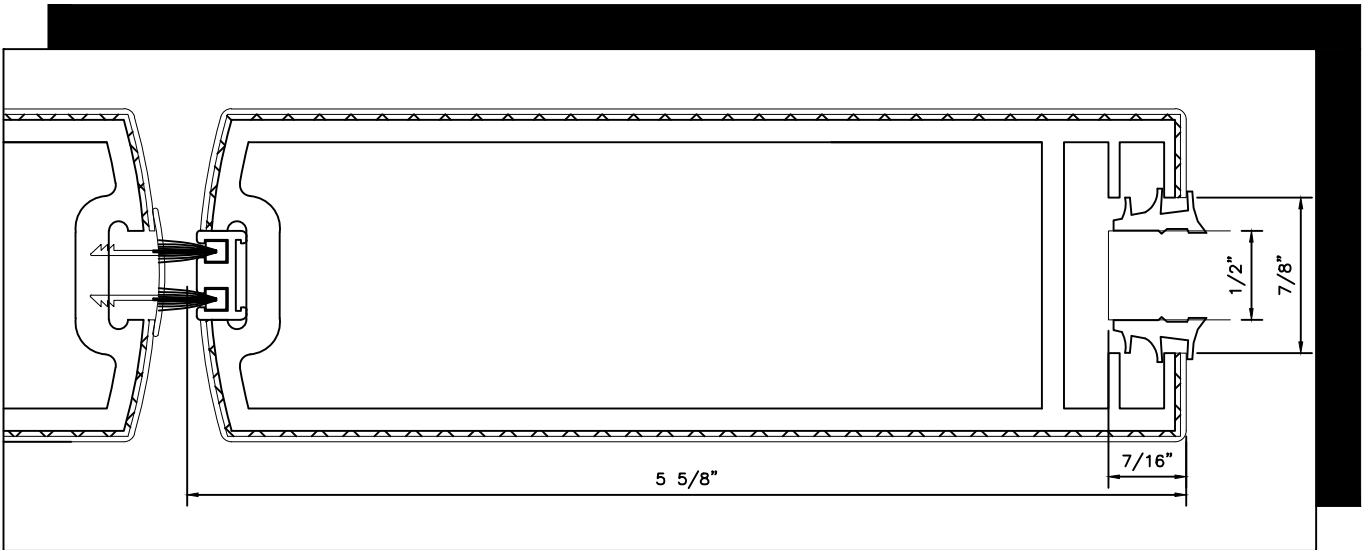
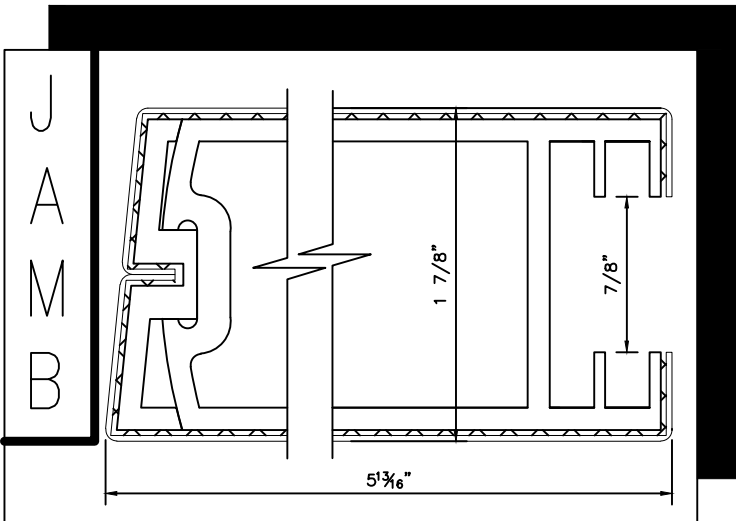
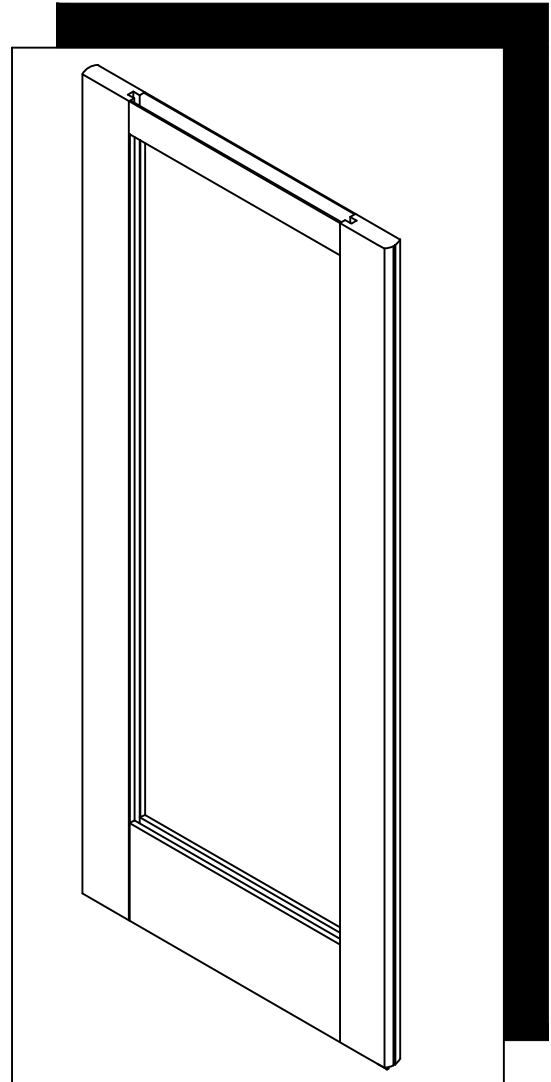


ripped for
3/8" I.G.



5" WIDE STILE BEVELED / RADIUS

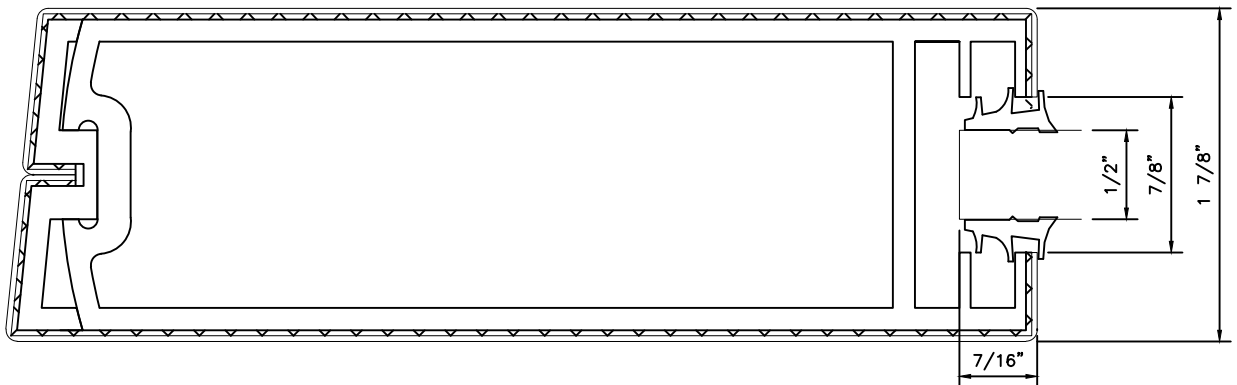
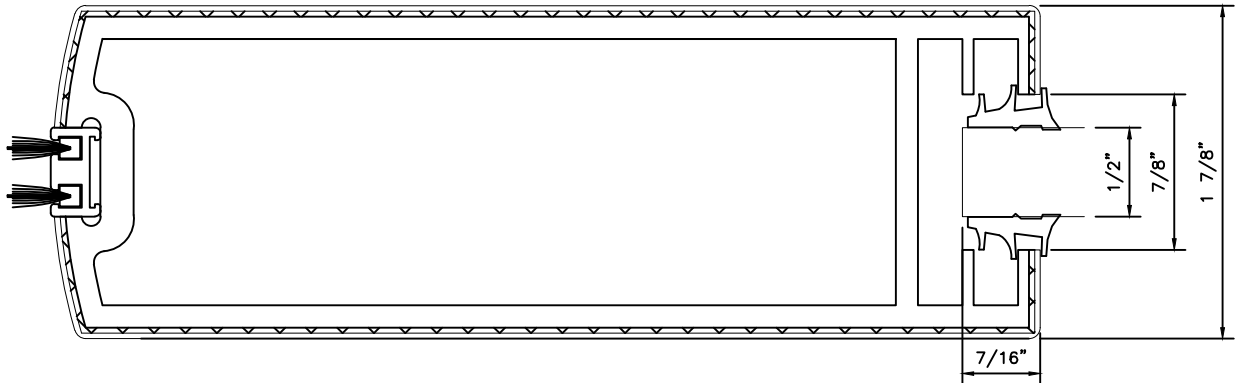
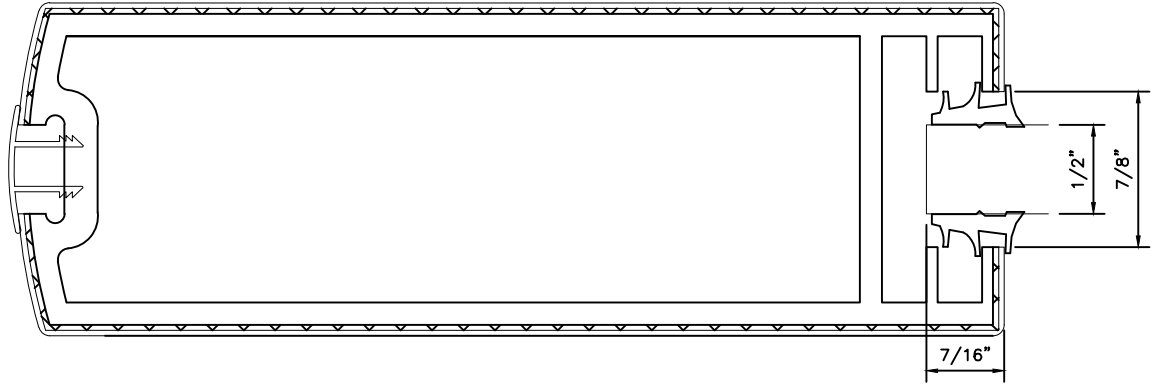
PRL GLASS SYSTEMS
INC.



5" WIDE STILE
BEVELED / RADIUS

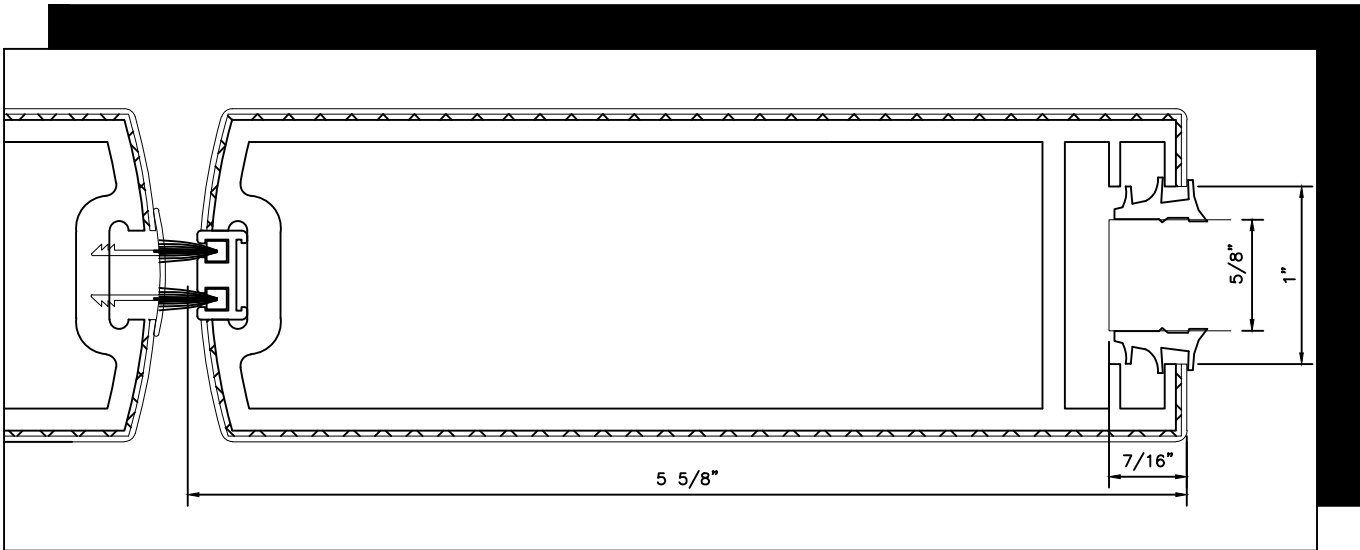
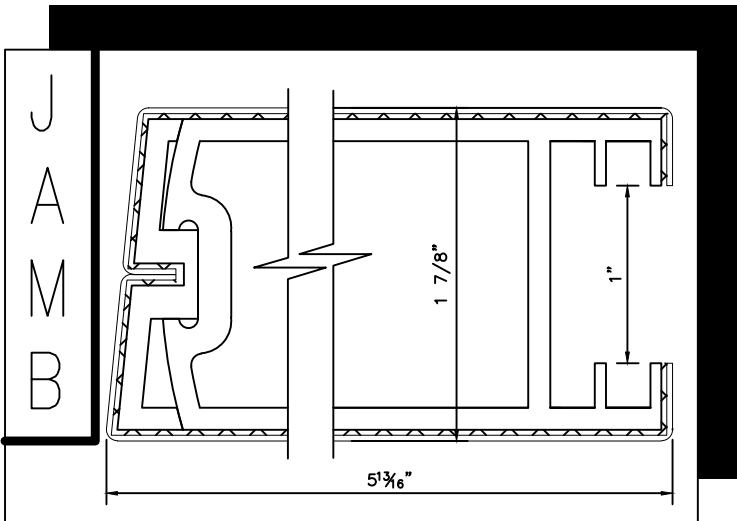
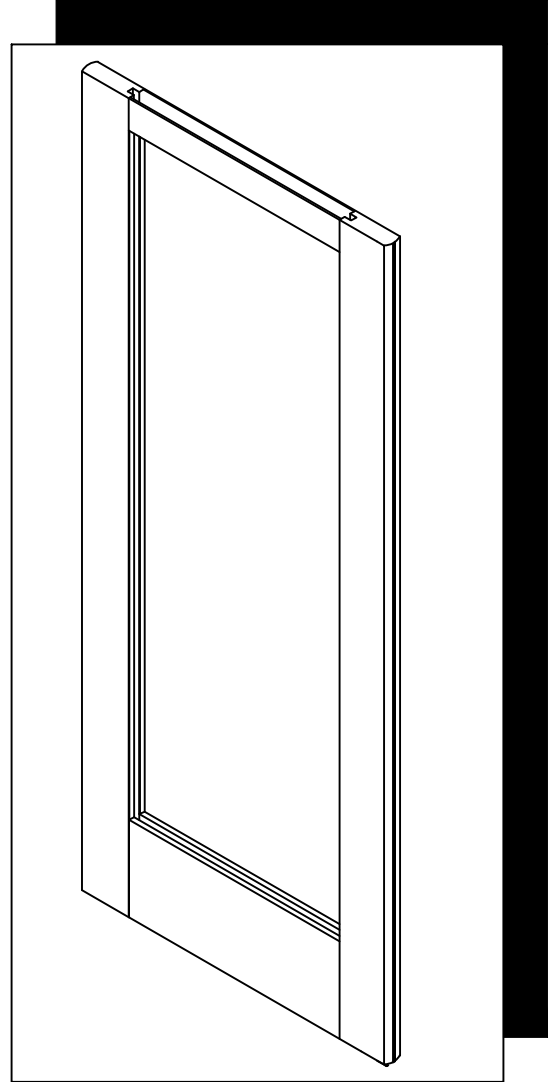


ripped for
1/2" I.G.



5" WIDE STILE
BEVELED / RADIUS

PRL GLASS
SYSTEMS
INC.

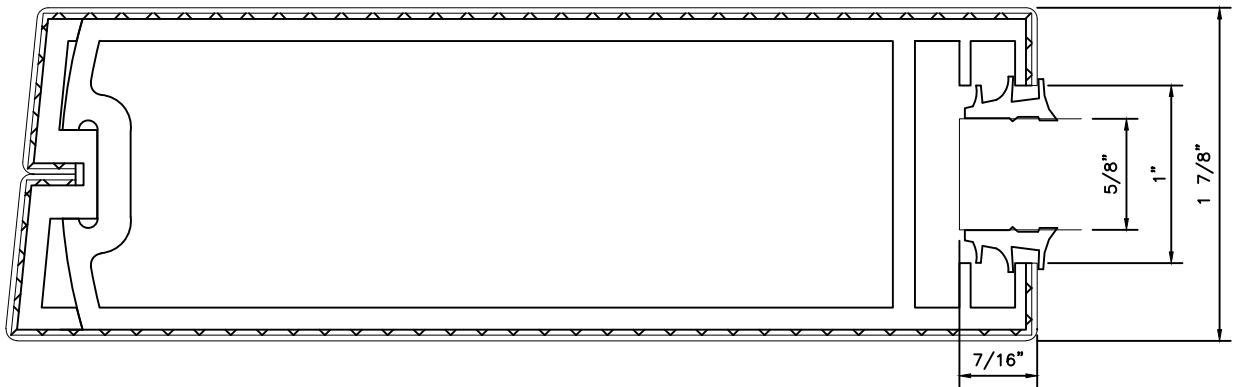
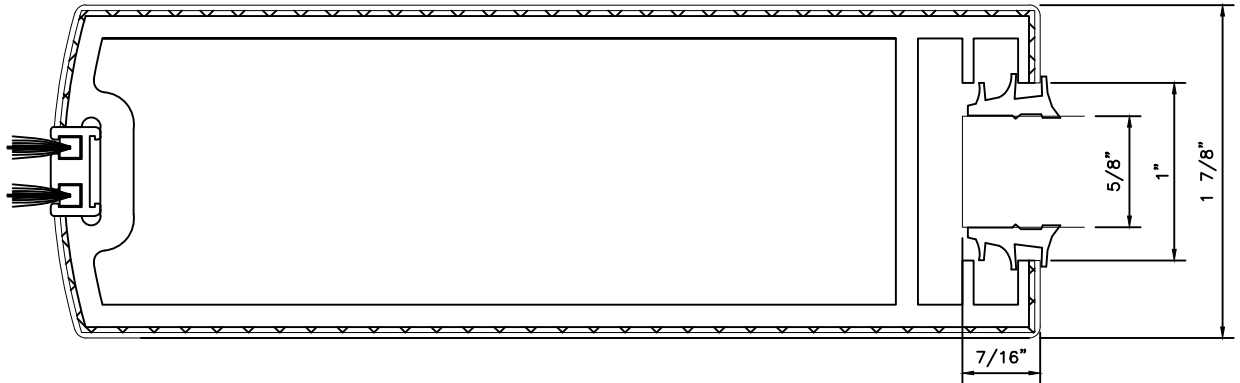
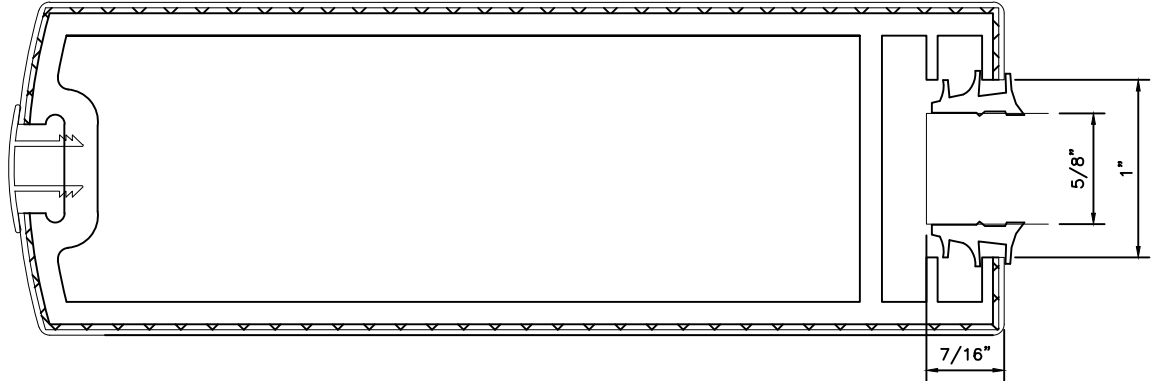


5" WIDE STILE
BEVELED / RADIUS

PRL GLASS
SYSTEMS
INC.

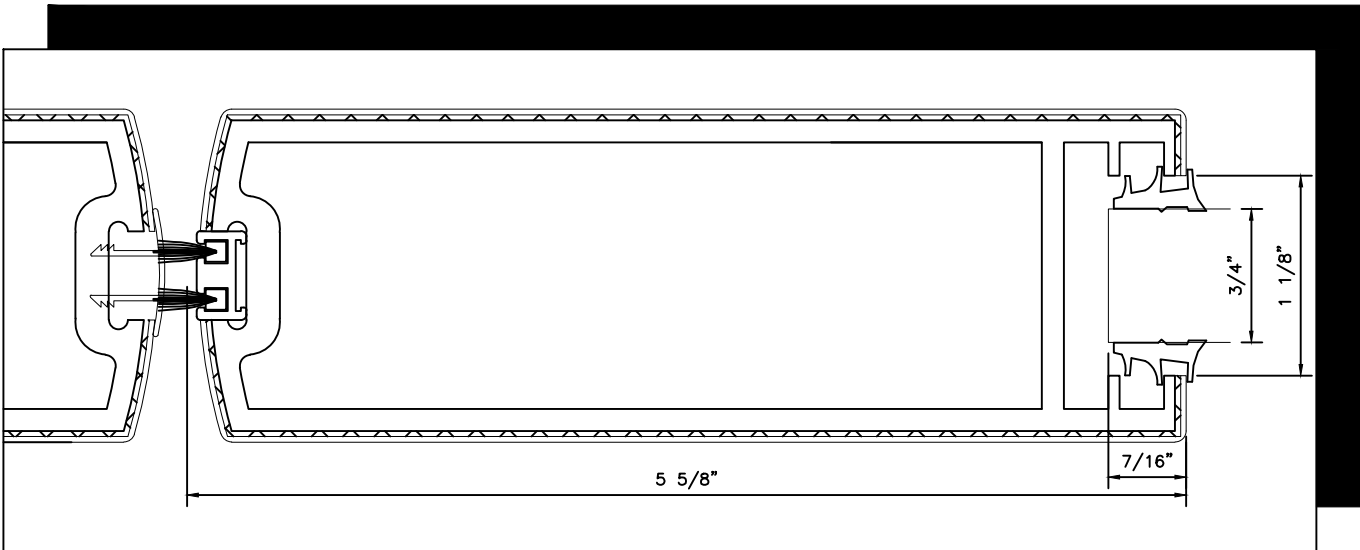
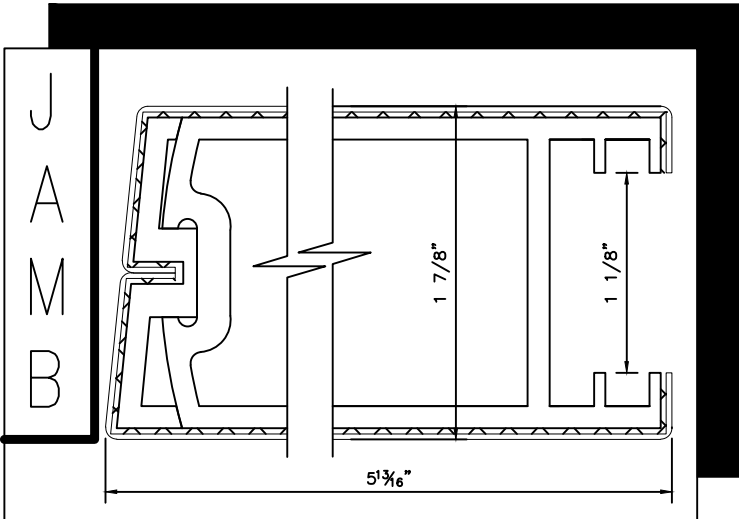
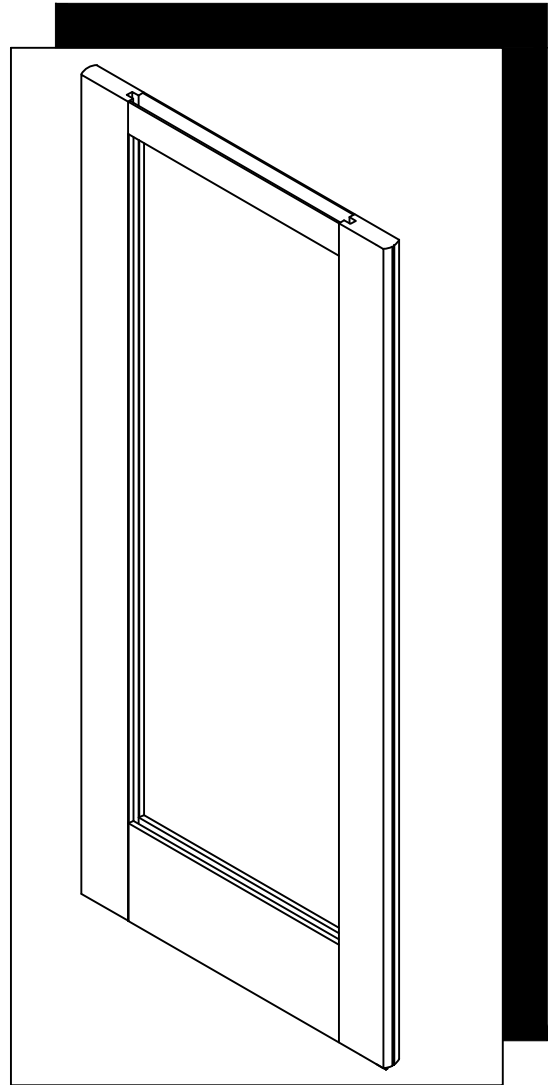
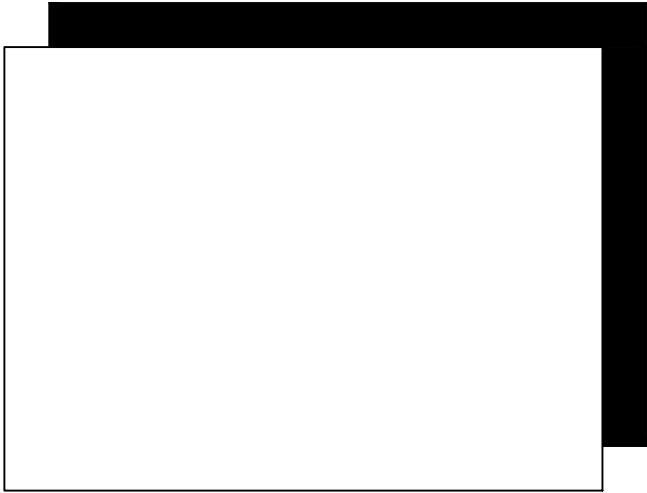


ripped for
5/8" I.G.



5" WIDE STILE BEVELED / RADIUS

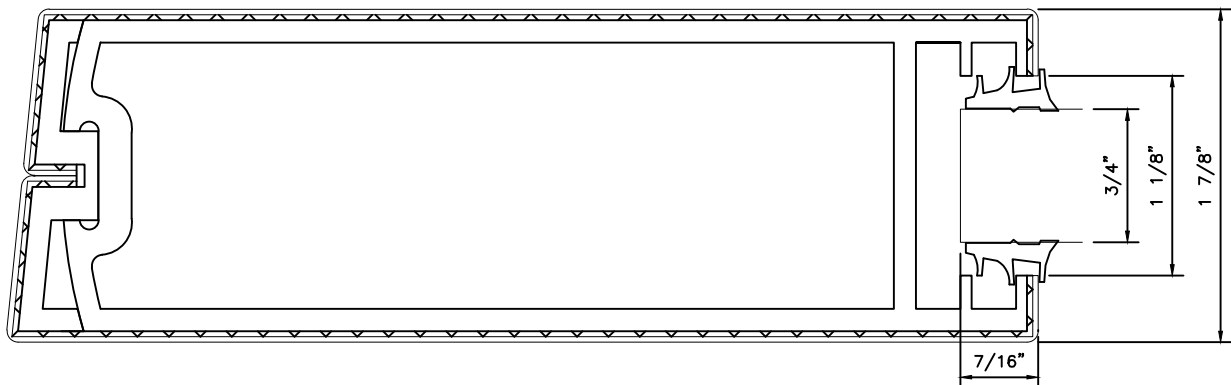
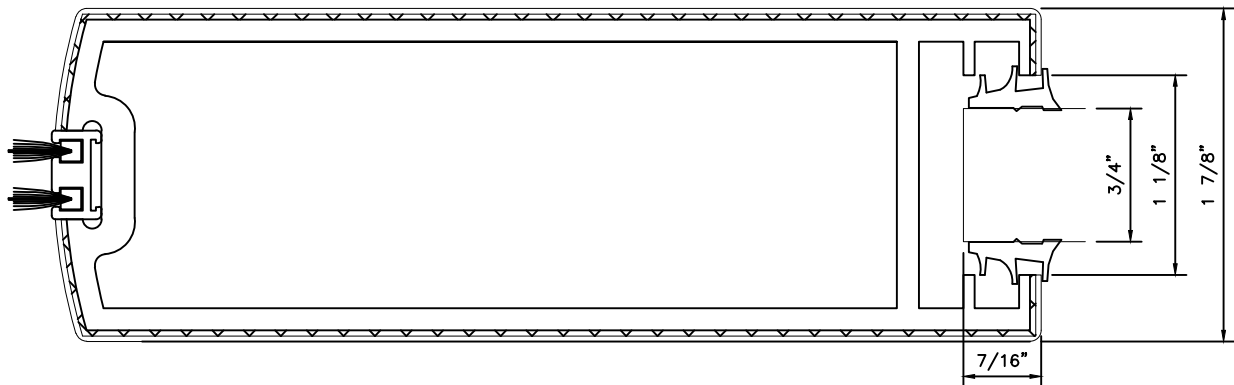
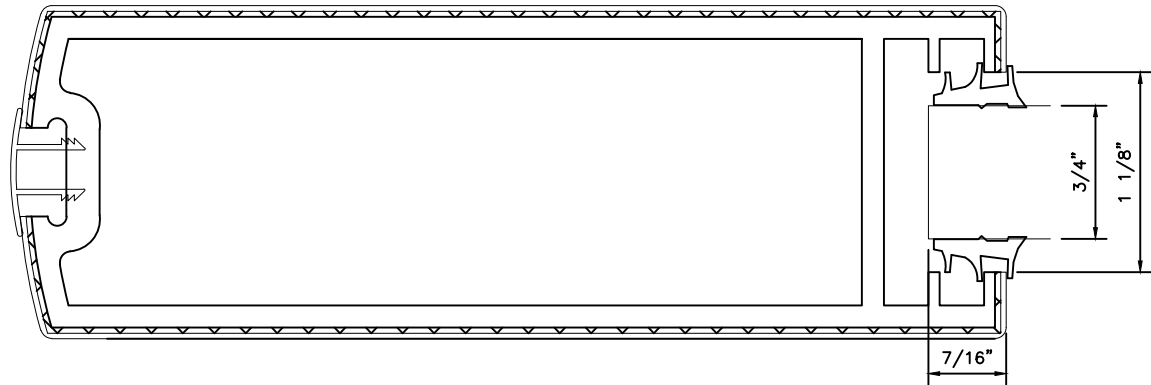
PRL GLASS SYSTEMS
INC.



5" WIDE STILE
BEVELED / RADIUS

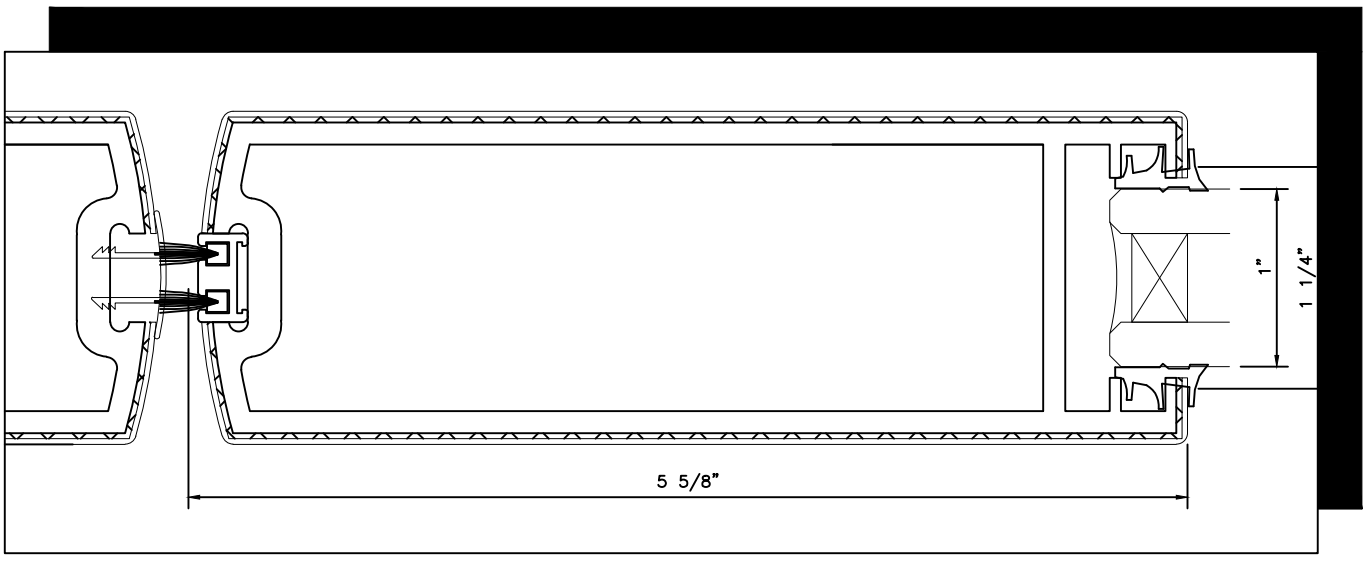
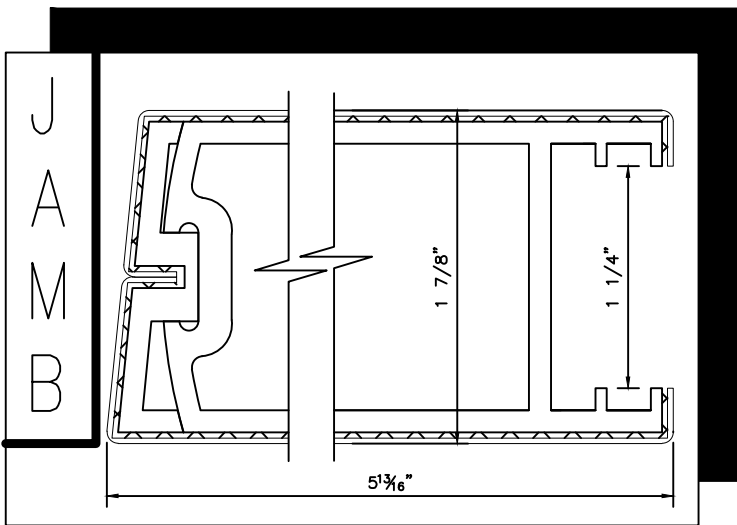
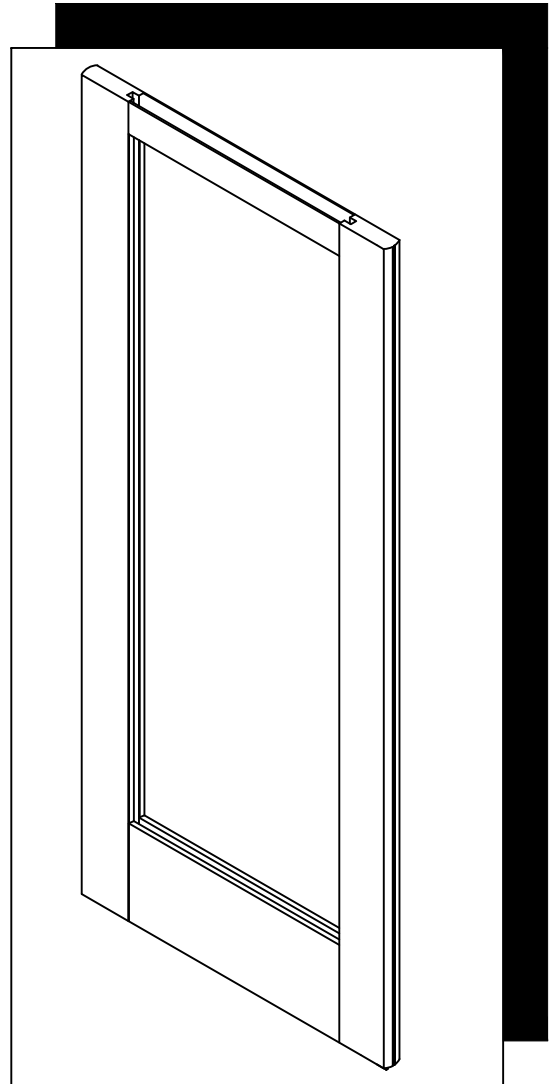


ripped for
3/4" I.G.



5" WIDE STILE BEVELED / RADIUS

PRL GLASS SYSTEMS
INC.



5" WIDE STILE
BEVELED / RADIUS

PRL GLASS
SYSTEMS
INC.



ripped for
1" I.G.

